

ENGLISH
FRANÇAIS
DEUTSCH
NEDERLANDS
ITALIANO
ESPAÑOL
PORTUGUÊS
РУССКИЙ
ΕΛΛΗΝΙΚΑ
TÜRKÇE
POLSKI

العربية

简体中文
ENGLISH

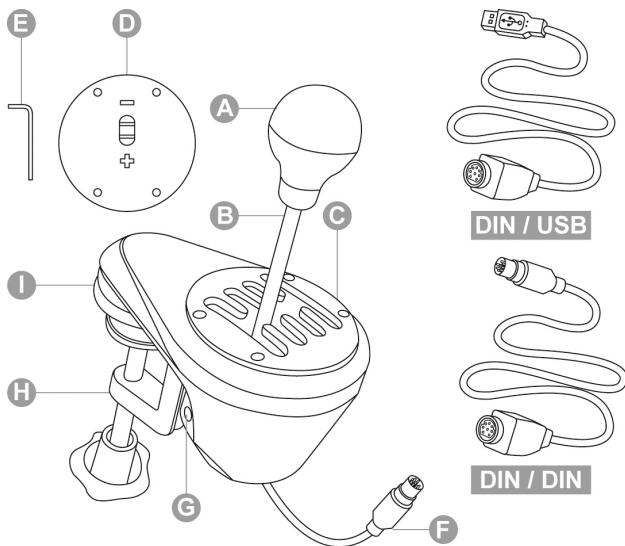
THRUSTMASTER®

TH08A

ADD-ON SHIFTER

PlayStation®3 – PlayStation®4 – Xbox One – PC

User Manual



TECHNICAL FEATURES

- | | |
|--|--|
| <p>A Removable gear shift knob
<i>(not installed by default)</i></p> <p>B Stick</p> <p>C Adjustable “H-pattern (7+1)” shift plate
<i>(installed by default)</i></p> <p>D Adjustable “Sequential (+/-)” shift plate
<i>(not installed by default)</i></p> <p>E 2.5 mm Allen key (included)</p> | <p>F Cable and DIN connector</p> <p>G Internal tensioning screw</p> <p>H Adjustable clamping system</p> <p>I “Screw threads” for cockpit mounting</p>
<p>DIN / USB Detachable DIN / USB cable</p> <p>DIN / DIN Detachable DIN / DIN cable</p> |
|--|--|

WARNING

Before using this product, be sure to read through this manual carefully. Retain this manual for future reference.



Warning – Electric shock

- * Keep this product in a dry place, and do not expose it to dust or sunlight.
- * Respect the direction of insertion for connectors.
- * Do not twist or pull on the connectors and cables.
- * Do not spill liquid on the product or its connector.
- * Do not short-circuit the product.
- * Do not dismantle this product (apart from for the possible adjustments described in this manual), do not attempt to burn the product and do not expose the product to high temperatures.



Warning – Injuries due to repetitive movements

Playing with a shifter may result in muscle and joint pains. To avoid any problems:

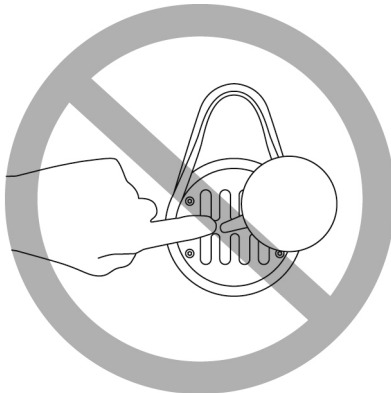
- * Avoid playing for extended periods of time.
- * Take a 10 to 15 minute break after each hour of playing.
- * Should you experience fatigue or pain in your hands, wrists or arms, stop playing and rest for a few hours before starting to play again.
- * If the symptoms or pains described above persist when you resume playing, stop playing and consult your doctor.
- * Verify that the base of the shifter is properly mounted, as described in the instructions found in this manual.



Warning – Pinching risk in shift plate openings

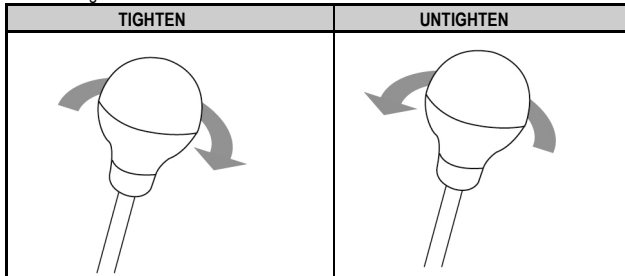
- * Keep out of the reach of children.
- * When playing a game, never place your fingers (or any other parts of your body) in the openings in the shift plates.

NEVER



INSTALLING THE GEAR SHIFT KNOB

1. To screw the gear shift knob (**A**) onto its stick (**B**): turn the gear shift knob clockwise.
2. To unscrew the gear shift knob: turn the knob counterclockwise.



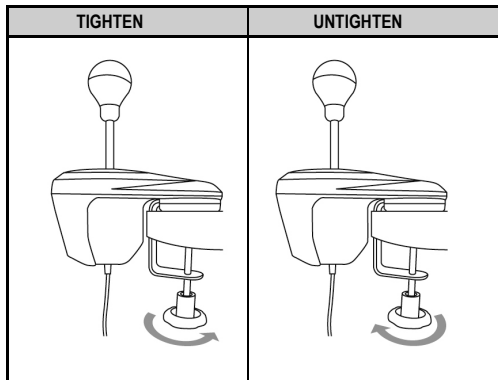
MOUNTING THE SHIFTER

Mounting is optimized for any type of support:

- **Tables, desks or shelves** from 1 to 55 mm in thickness, via the clamping system (**H**).
- **Cockpits**, via the built-in "screw threads" (the clamping system is removable).

Mounting the shifter on a table or desk

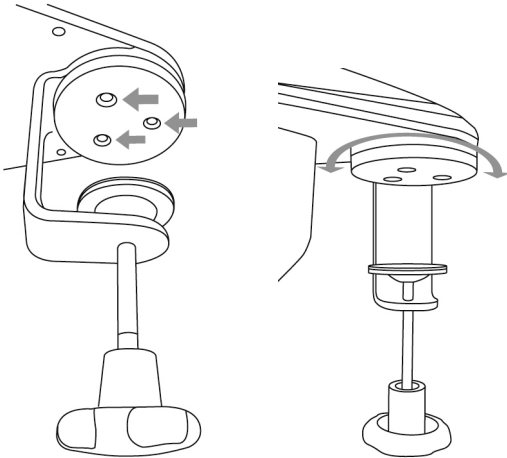
1. Place the nose of the shifter on a table or other flat surface.
2. To tighten: turn the clamping wheel counterclockwise.
3. To untighten: turn the clamping wheel clockwise.



Positioning and rotating the clamping system (can be adjusted by 360°)

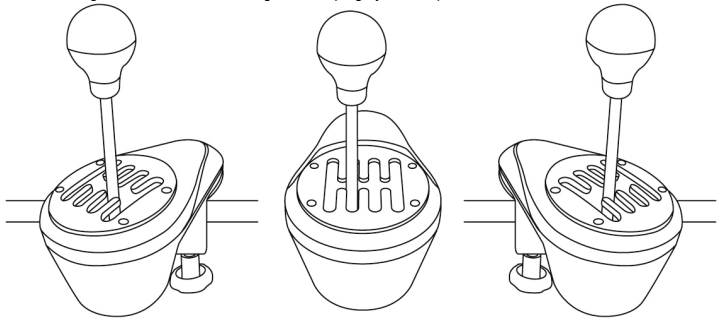
1. Using the included 2.5 mm Allen key (**E**), very slightly unscrew the 3 screws holding the clamping system (**H**) in place.

The clamping system (and therefore the entire shifter) can now be rotated manually by 360°.



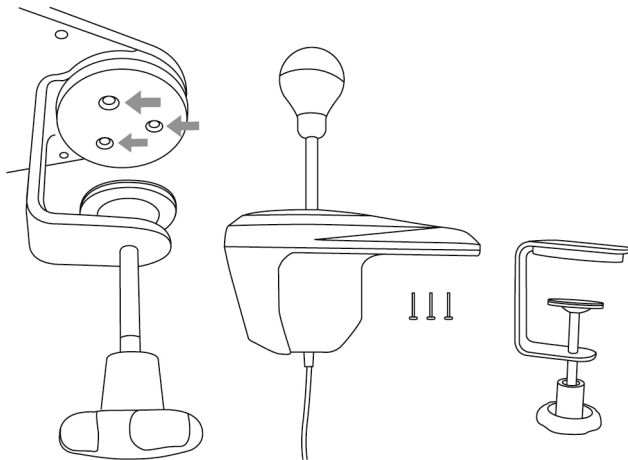
2. Select your preferred position along the 360° of rotation (3 examples are shown below, among the many other possibilities available).

Next, retighten the 3 screws holding the clamping system in place.

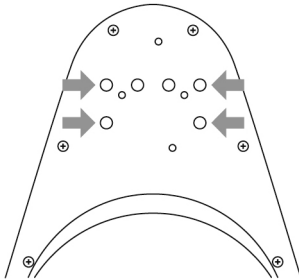


Mounting the shifter in a cockpit

- Using the included 2.5 mm Allen key (**E**), **completely unscrew and remove** the 3 screws holding the clamping system (**H**) in place. Detach the clamping system from the shifter.



- Once the clamping system has been removed, screw 2 "M6" screws (not included) into the cockpit shelf, and into 2 of the 4 small "screw threads" (**I**) located on the underside of the shifter's nose.

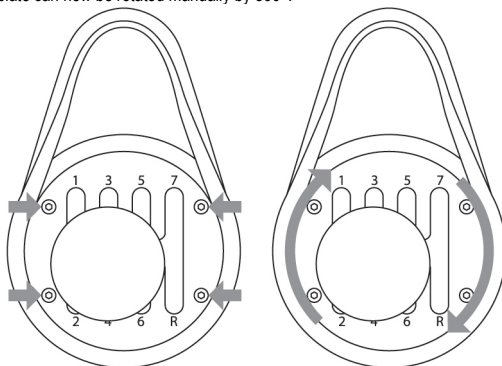


Be sure not to use "M6" screws that are too long, which may pierce and damage the upper part of the shifter's nose.

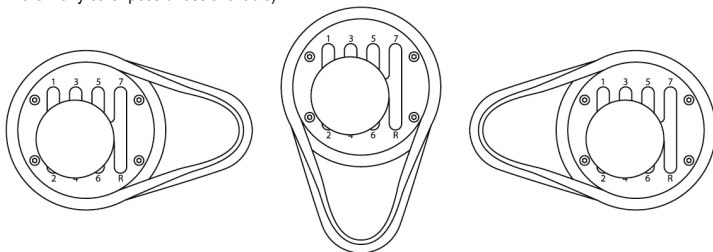
A shifter mounting template for cockpits is available at <http://support.thrustmaster.com>. Click Racing Wheels / TH8A Shifter, and then select Manual.

POSITIONING AND ROTATING THE SHIFT PLATES (CAN BE ADJUSTED BY 360°)

1. Using the included 2.5 mm Allen key (**E**), slightly unscrew the 4 screws holding the shift plate (**C or D**) in place.
The shift plate can now be rotated manually by 360°.



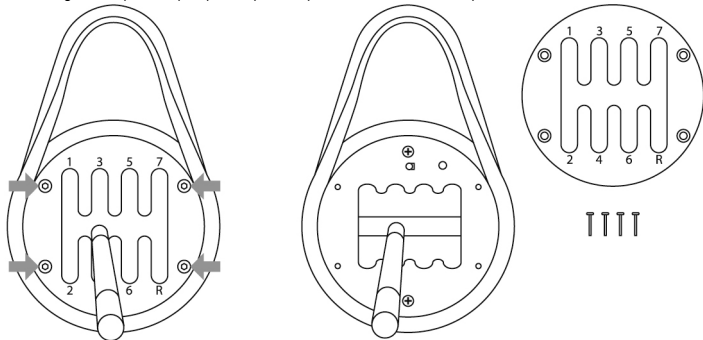
2. Select your preferred position along the 360° of rotation (3 examples are shown below, among the many other possibilities available).



3. Retighten the 4 screws holding the shift plate in place.

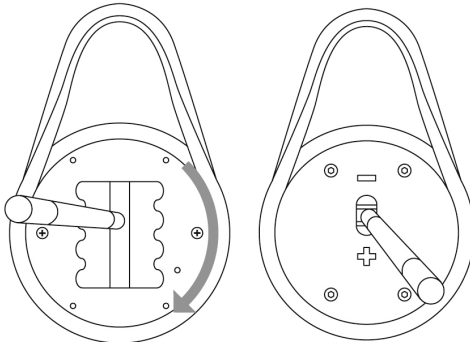
SWITCHING FROM THE “H-PATTERN (7+1)” SHIFT PLATE TO THE “SEQUENTIAL (+/-)” SHIFT PLATE

1. Unscrew (counterclockwise) and remove the gear shift knob (A).
2. Using the included 2.5 mm Allen key (E), **completely unscrew and remove** the 4 screws holding the “H-pattern (7+1)” shift plate in place. Remove the shift plate.

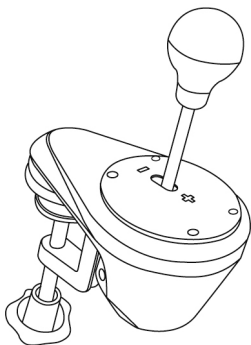


During this procedure, take care not to accidentally let any of the screws fall inside the internal mechanism.

3. Manually rotate the internal structure 90° to the right (clockwise).
Next, install the “Sequential (+/-)” shift plate.

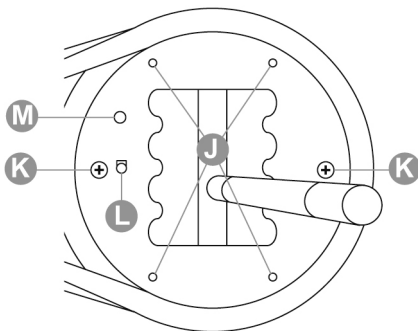


4. Using the included 2.5 mm Allen key (**E**), replace and completely retighten the 4 screws holding the "Sequential (+/-)" shift plate in place. Screw the gear shift knob back on (clockwise).



Carry out this procedure in reverse to replace the "H-pattern (7+1)" shift plate.

Notes regarding the internal structure's top cover:



J: 4 "screw threads" to attach the shift plates (**C or D**).

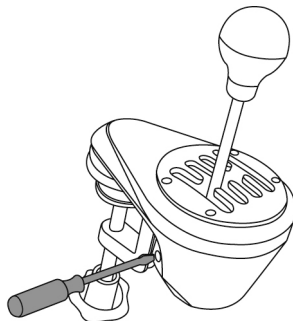
K: 2 screws which hold the internal structure in place (do not unscrew).

L: Button which automatically detects the type of shift plate used (**C or D**). Is pressed **automatically** when the "Sequential (+/-)" shift plate is installed. Keep this area clean in order to avoid any detection problems.

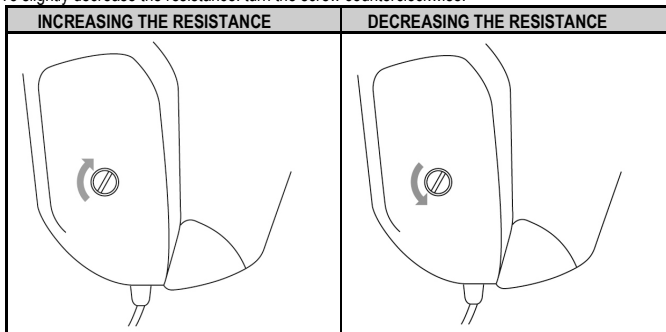
M: Slot for easier positioning of the shift plates.

ADJUSTING THE GEAR SHIFT RESISTANCE

- * Only applies to the “H-pattern (7+1)” shift plate.
- * Before making any adjustments, the “H-pattern (7+1)” shift plate **must** be installed in its original position (please see the diagram below).



1. Using a large flat head screwdriver, place the screwdriver in the head of the internal tensioning screw (**G**) located in the lower left section of the shifter's housing.
2. To slightly increase the resistance: turn the screw clockwise.
3. To slightly decrease the resistance: turn the screw counterclockwise.



2 full turns are enough to go from one extreme to the other.



To avoid damaging the system:

- Stop tightening the screw when you feel strong resistance.
- Stop untightening the screw if the stick becomes loose and wobbly.

SETUP INSTRUCTIONS FOR GAME CONSOLES

PLAYSTATION®3

= With all games for PS3™, always connect(*) the TH8A shifter directly to one of the PS3™'s USB ports (NOT to the Thrustmaster racing wheel's base).

- Connect the TH8A shifter's **DIN** connector to the **DIN / USB** cable.
- Connect the TH8A shifter to one of your PS3™'s USB ports.
- Start the game.

The TH8A shifter can then operate with either the H-PATTERN (7+1) or SEQUENTIAL (+/-) shift plates.

(*) Important recommendations for the PS3™ system (applicable only if using a Thrustmaster racing wheel featuring a built-in shifter connector)

- **When using the TH8A shifter's SEQUENTIAL (+/-) shift plate, you can also connect the shifter at the back of the racing wheel using the detachable DIN / DIN cable.** The TH8A shifter is then connected to the racing wheel's UP (= R1) and DOWN (= L1) paddle shifters. With this racing wheel, the TH8A shifter's SEQUENTIAL (+ /-) shift plate functions with 100% of racing games PS3™ that are compatible with the racing wheel.
- Some games enable you to **use two TH8A shifters simultaneously**:
 - One TH8A shifter with an H-PATTERN (7+1) shift plate, connected to the PS3™'s USB port™
 - + One TH8A shifter with a SEQUENTIAL (+/-) shift plate, connected to the back of the racing wheel

* A list of games for PS3™ that are compatible with the TH8A shifter is available here: <http://support.thrustmaster.com>. Click Racing Wheels / TH8A Shifter, and then select Games settings. This list is updated regularly.

* On PS3™ systems, we recommend that you do not use a USB hub when connecting the racing wheel or TH8A shifter to the games console; connect the device directly to the PS3™'s USB ports.

* Some games require that you install the latest available updates for the TH8A shifter to function correctly (your games console must be connected to the internet).

**According to the PS4™ game or the racing wheel that you are using:
= Connect(*) the TH8A shifter directly to the PS4™'s USB port**

- Connect the TH8A shifter's DIN connector to the DIN / USB cable.
- Connect the TH8A shifter to one of your PS4™'s USB ports.
- Start the game.

The TH8A shifter can then operate with either the H-PATTERN (7+1) or SEQUENTIAL (+/-) shift plates.

Or

= Connect(*) the TH8A shifter directly to the Thrustmaster racing wheel's base

(only applicable if your Thrustmaster racing wheel features a built-in shifter connector)

- Connect the TH8A shifter's DIN connector to the DIN / DIN detachable cable.
- Connect the TH8A shifter to the shifter connector located at the back of the racing wheel's base.
- Connect your racing wheel, then start the game.

The TH8A shifter can then operate with either the H-PATTERN (7+1) or SEQUENTIAL (+/-) shift plates.

(*) Important recommendations for the PS4™ system (applicable only if using a Thrustmaster racing wheel featuring a built-in shifter connector)

- **When using the TH8A shifter's SEQUENTIAL (+/-) shift plate, you can also connect the shifter at the back of the racing wheel using the detachable DIN / DIN cable.** The TH8A shifter is then connected to the racing wheel's UP (= R1) and DOWN (= L1) paddle shifters.

With this racing wheel, the TH8A shifter's SEQUENTIAL (+ /-) shift plate functions with 100% of racing games for PS4™ that are compatible with the racing wheel.

- Some games enable you to **use two TH8A shifters simultaneously:**

- + One TH8A shifter with an H-PATTERN (7+1) shift plate, connected to the PS4's USB port™
- + One TH8A shifter with a SEQUENTIAL (+/-) shift plate, connected to the back of the racing wheel

* A list of games for PS4™ that are compatible with the TH8A shifter and the relevant connection instructions(*) (which vary according to games) are available here: <http://support.thrustmaster.com> Click Racing Wheels / TH8A Shifter, and then select Games settings. This list is updated regularly.

* On PS4™ systems, we recommend that you do not use a USB hub when connecting the racing wheel or the TH8A shifter; connect the device directly to the PS4™'s USB ports.

* Some games require that you install the latest available updates for the TH8A shifter to function correctly (your games console must be connected to the internet).

XBOX ONE

= With all Xbox One games, always connect the TH8A shifter directly to the Thrustmaster racing wheel's base (NEVER to the game console's USB port).

- Connect the TH8A shifter's **DIN** connector to the **DIN / DIN detachable cable**.
- Connect the TH8A shifter to the shifter connector located at the back of the racing wheel's base. - Connect your racing wheel, then start the game.

The TH8A shifter can then operate with either the H-PATTERN (7+1) or SEQUENTIAL (+/-) shift plates.

Important note about the Xbox One:

When using the TH8A shifter's SEQUENTIAL (+/-) shift plate, the shifter is connected to the racing wheel's UP (= RB) and DOWN (= LB) paddle shifters.

When using the TH8A shifter's SEQUENTIAL (+/-) shift plate, the TH8A shifter functions with 100% of racing games for Xbox One that are compatible with the Thrustmaster racing wheel for Xbox One.

* A list of games for Xbox One that are compatible with the TH8A shifter is available here:

<http://support.thrustmaster.com>. Click Racing Wheels / TH8A Shifter, and then select Games settings. This list is updated regularly.

* Some games require that you install the latest available updates for the TH8A shifter to function correctly (your games console must be connected to the internet).



To ensure compatibility of your Thrustmaster racing wheel for Xbox One with the TH8A shifter, you may be required to update the racing wheel's firmware with the latest version available via PC here: <http://support.thrustmaster.com>. Click Racing Wheels / TH8A Shifter, and then select Firmware.

SETUP INSTRUCTIONS FOR PC

= **With all PC games(*), always connect the TH8A shifter directly to one of the PC's USB ports.**

- Connect the TH8A shifter's **DIN** connector to the **DIN / USB** cable.
- Connect the TH8A shifter to one of your PC's USB ports.
- When connected to a PC, the TH8A shifter is a Plug & Play device and is automatically detected and installed.
- The device then appears as 'T500 RS Gear Shift' in the Windows® Control Panel.
- Click Properties to test and view the device's features.
- Start the game.

You are now ready to race!

(*) Important recommendations for PCs (applicable only if using a Thrustmaster racing wheel featuring a built-in shifter connector)

- **When using the TH8A shifter's SEQUENTIAL (+/-) shift plate, you can also connect the shifter at the back of the racing wheel using the detachable DIN / DIN cable.** The TH8A shifter is then connected to the racing wheel's UP (= 2) and DOWN (= 1) paddle shifters.

With this racing wheel, the TH8A shifter's SEQUENTIAL (+ /-) shift plate functions with 100% of racing games for PC that are compatible with the racing wheel.

- Some games enable you to **use two TH8A shifters simultaneously:**

- One TH8A shifter with an H-PATTERN (7+1) shift plate, connected to the PC's USB port
- + One TH8A shifter with a SEQUENTIAL (+/-) shift plate, connected to the back of the racing wheel

* On PC, the Thrustmaster shifter is compatible with:

- all games supporting MULTI-USB and shifters.
- all wheels on the market.

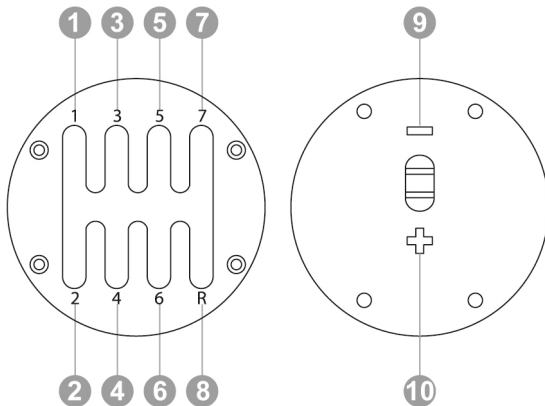
* We recommend connecting your racing wheel and TH8A shifter directly to your PC's USB 2.0 (not USB 3.0) ports, without using a hub.

* For some PC games, you **must** install the latest available game updates in order for the TH8A shifter to function properly.

* For some PC games (in order to avoid any conflicts between the wheel and the TH8A shifter), it may be necessary:

- not to map anything onto the wheel's gear shift paddles.
- to enable the "Hold button for gear" function.

MAPPING ON PC



SOFTWARE PACKAGE

A software package for PC is available here:

<http://support.thrustmaster.com>. Click Racing Wheels / TH8A Shifter, and then select Drivers.

- After installing the software package, you will be able to:

- * check your TH8A shifter's firmware version.
- * update the firmware (if necessary) with the latest available version.
- * use the "BOOTLOADER Method" (to restore your shifter, in the event of loss of firmware).
- * access a customized Control Panel (game controller) on PC.
- * on PC, enjoy the ANALOG mode (handbrake)

ADVANCED CALIBRATION SOFTWARE

The TH8A gear shift calibration is automatically carried out.

An advanced calibration software application for PC is also available here: <http://support.thrustmaster.com>. Click Racing Wheels / TH8A Shifter, and then select Software. It allows you to adjust the gear shift travel to your convenience.

When the settings are complete, they are instantly saved into the internal gear shift memory (and can be used on PS3™, PS4™, Xbox One and PC).

SUMMARY INSTRUCTIONS FOR CONNECTING THE TH8A SHIFTER TO VARIOUS SYSTEMS

Connect the TH8A shifter	
PS3™	Always(*) directly to the PS3™ (USB)
PS4™	According to the game or racing wheel (*): - Either directly to the PS4™ system (USB) - Or at the back of the racing wheel (DIN)
XBOX ONE	Always at the back of the racing wheel (DIN)
PC	Always(*) directly to the PC (USB)

(*) For more information regarding any exceptions, please refer to the **Important recommendations** sections on the manual's relevant pages.

WARNING

* Never connect the TH8A shifter directly to any device other than a Thrustmaster racing wheel, even if the device features an identical DIN connector. This could cause damage to the TH8A shifter or the other device.

TROUBLESHOOTING

* My shifter is not functioning correctly, or seems to be improperly calibrated:

- Turn off your computer or console, disconnect your shifter, reconnect it and then restart your game.
- In your game, under "Options/Controller", select or set up the most appropriate configuration.
- Refer to your game's user manual or online help for more information.

- Various help topics and tips (not included in this manual), a list of compatible games, etc. are available on the <http://support.thrustmaster.com> website. Click Racing Wheels / TH8A Shifter.

- On Xbox One, to ensure compatibility of your Thrustmaster racing wheel for Xbox One with the TH8A shifter, you may be required to update the racing wheel's firmware with the latest version available via PC here: <http://support.thrustmaster.com>. Click Racing Wheels / TH8A Shifter, and then select Firmware.

CONSUMER WARRANTY INFORMATION

Worldwide, Guillemot Corporation S.A., whose registered office is located at Place du Granier, B.P. 97143, 35571 Chantepie, France (hereinafter "Guillemot") warrants to the consumer that this Thrustmaster product shall be free from defects in materials and workmanship, for a warranty period which corresponds to the time limit to bring an action for conformity with respect to this product. In the countries of the European Union, this corresponds to a period of two (2) years from delivery of the Thrustmaster product. In other countries, the warranty period corresponds to the time limit to bring an action for conformity with respect to the Thrustmaster product according to applicable laws of the country in which the consumer was domiciled on the date of purchase of the Thrustmaster product (if no such action exists in the corresponding country, then the warranty period shall be one (1) year from the original date of purchase of the Thrustmaster product).

Notwithstanding the above, rechargeable batteries are covered by a warranty period of six (6) months from the date of original purchase.

Should the product appear to be defective during the warranty period, immediately contact Technical Support, who will indicate the procedure to follow. If the defect is confirmed, the product must be returned to its place of purchase (or any other location indicated by Technical Support).

Within the context of this warranty, the consumer's defective product shall, at Technical Support's option, be either replaced or returned to working order. If, during the warranty period, the Thrustmaster product is subject to such reconditioning, any period of at least seven (7) days during which the product is out of use shall be added to the remaining warranty period (this period runs from the date of the consumer's request for intervention or from the date on which the product in question is made available for reconditioning, if the date on which the product is made available for reconditioning is subsequent to the date of the request for intervention). If permitted under applicable law, the full liability of Guillemot and its subsidiaries (including for consequential damages) is limited to the return to working order or the replacement of the Thrustmaster product. If permitted under applicable law, Guillemot disclaims all warranties of merchantability or fitness for a particular purpose.

This warranty shall not apply: (1) if the product has been modified, opened, altered, or has suffered damage as a result of inappropriate or abusive use, negligence, an accident, normal wear, or any other cause unrelated to a material or manufacturing defect (including, but not limited to, combining the Thrustmaster product with any unsuitable element, including in particular power supplies, rechargeable batteries, chargers, or any other elements not supplied by Guillemot for this product); (2) if the product has been used for any use other than home use, including for professional or commercial purposes (game rooms, training, competitions, for example); (3) in the event of failure to comply with the instructions provided by Technical Support; (4) to software, said software being subject to a specific warranty; (5) to consumables (elements to be replaced over the product's lifespan: disposable batteries, audio headset or headphone ear pads, for example); (6) to accessories (cables, cases, pouches, bags, wrist-straps, for example); (7) if the product was sold at public auction.

This warranty is nontransferable.

The consumer's legal rights with respect to laws applicable to the sale of consumer goods in his or her country are not affected by this warranty.

Additional warranty provisions

During the warranty period, Guillemot shall not provide, in principle, any spare parts, as Technical Support is the only party authorized to open and/or recondition any Thrustmaster product (with the exception of any reconditioning procedures which Technical Support may request that the consumer carry out, by way of written instructions – for example, due to the simplicity and the lack of confidentiality of the reconditioning process – and by providing the consumer with the required spare part(s), where applicable).

Given its innovation cycles and in order to protect its know-how and trade secrets, Guillemot shall not provide, in principle, any reconditioning notification or spare parts for any Thrustmaster product whose warranty period has expired.

In the United States of America and in Canada, this warranty is limited to the product's internal mechanism and external housing. In no event shall Guillemot or its affiliates be held liable to any third party for any consequential or incidental damages resulting from the breach of any express or implied warranties. Some States/Provinces do not allow limitation on how long an implied warranty lasts or exclusion or limitation of liability for consequential or incidental damages, so the above limitations or exclusions may not apply to you. This warranty gives you specific legal rights, and you may also have other rights which vary from State to State or Province to Province.

Liability

If permitted under applicable law, Guillemot Corporation S.A. (hereinafter "Guillemot") and its subsidiaries disclaim all liability for any damages caused by one or more of the following: (1) the product has been modified, opened or altered; (2) failure to comply with assembly instructions; (3) inappropriate or abusive use, negligence, an accident (an impact, for example); (4) normal wear; (5) the use of the product for any use other than home use, including for professional or commercial purposes (game rooms, training, competitions, for example). If permitted under applicable law, Guillemot and its subsidiaries disclaim all liability for any damages unrelated to a material or manufacturing defect with respect to the product (including, but not limited to, any damages caused directly or indirectly by any software, or by combining the Thrustmaster product with any unsuitable element, including in particular power supplies, rechargeable batteries, chargers, or any other elements not supplied by Guillemot for this product).

THRUSTMASTER®

TECHNICAL SUPPORT

<http://support.thrustmaster.com>



COPYRIGHT

© 2017 Guillemot Corporation S.A. All rights reserved. Thrustmaster® is a registered trademark of Guillemot Corporation S.A. All other trademarks are the property of their respective owners. Illustrations not binding. Contents, designs and specifications are subject to change without notice and may vary from one country to another. Made in China.

ENVIRONMENTAL PROTECTION RECOMMENDATION



* In the European Union: At the end of its working life, this product should not be disposed of with standard household waste, but rather dropped off at a collection point for the disposal of Waste Electrical and Electronic Equipment (WEEE) for recycling.

This is confirmed by the symbol found on the product, user manual or packaging.

Depending on their characteristics, the materials may be recycled. Through recycling and other forms of processing Waste Electrical and Electronic Equipment,

you can make a significant contribution towards helping to protect the environment.

Please contact your local authorities for information on the collection point nearest you.

For all other countries: Please adhere to local recycling laws for electrical and electronic equipment.

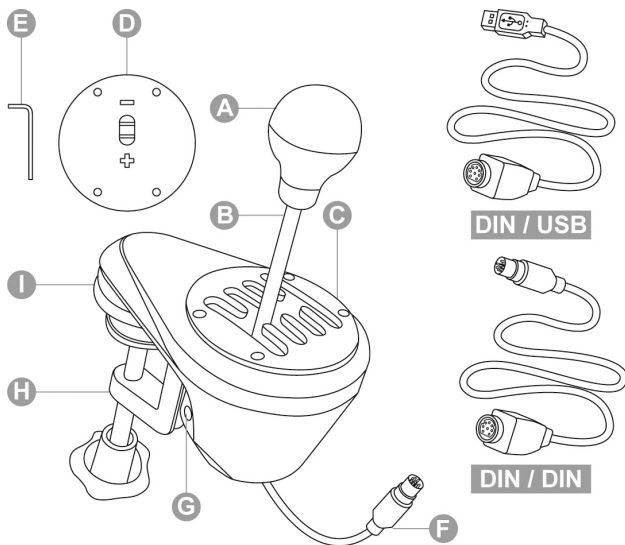
Retain this information. Colours and decorations may vary.

Plastic fasteners and adhesives should be removed from the product before it is used.

www.thrustmaster.com

**Applicable to EU and Turkey only*





CARACTÉRISTIQUES TECHNIQUES

- | | |
|---|---|
| A Pommeau amovible
<i>(non installé par défaut)</i> | F Câble et connecteur DIN |
| B Levier | G Vis de tension interne |
| C Grille « H (7+1) » orientable
<i>(installé par défaut)</i> | H Système de fixation orientable |
| D Grille « Séquentielle (+/-) » orientable
<i>(non installé par défaut)</i> | I « Pas de vis » pour fixation cockpit |
| E Clé Allen 2,5 mm fournie | DIN / USB Câble détachable DIN / USB |
| | DIN / DIN Câble détachable DIN / DIN |

AVERTISSEMENT

Avant d'utiliser ce produit, lisez attentivement cette documentation et conservez-la pour pouvoir la consulter ultérieurement.



Avertissement – Chocs électriques

- * Conservez le produit dans un endroit sec et ne l'exposez ni à la poussière ni au soleil.
- * Respectez les sens de branchement.
- * Ne tordez pas et ne tirez pas sur les connecteurs et câbles.
- * Ne renversez pas de liquide sur le produit et son connecteur.
- * Ne mettez pas le produit en court-circuit.
- * Ne démontez jamais le produit (hormis pour les réglages possibles notifiés dans ce manuel), ne le jetez pas au feu et ne l'exposez pas à des températures élevées.



Avertissement – Blessures dues aux mouvements répétitifs

Jouer avec une boîte de vitesses peut causer des douleurs aux muscles et aux articulations. Afin d'éviter tout problème :

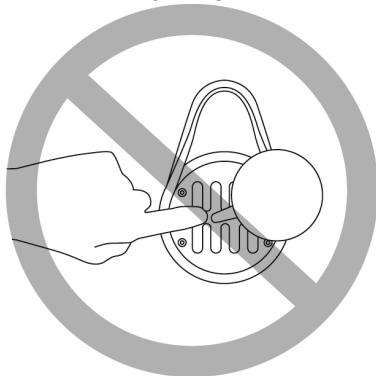
- * Evitez les périodes trop longues de jeu.
- * Faites une pause de 10 à 15 minutes après chaque heure de jeu.
- * Si vous éprouvez fatigue ou douleur au niveau des mains, des poignets ou des bras, cessez de jouer et reposez-vous pendant quelques heures avant de recommencer à jouer.
- * Si les symptômes ou les douleurs indiqués ci-dessus persistent lorsque vous reprenez le jeu, arrêtez de jouer et consultez votre médecin.
- * Vérifiez que la base de la boîte de vitesses est correctement fixée, conformément aux instructions du manuel.



Avertissement – Risque de pincement au niveau des grilles de passage de vitesses

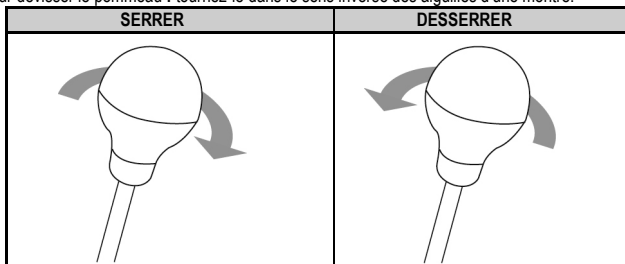
- * Laissez hors de portée des enfants.
- * Lors des phases de jeu, ne placez jamais vos doigts (ou autres parties du corps) dans les grilles de passage de vitesses

JAMAIS



INSTALLATION DU POMMEAU

1. Pour visser le pommeau (**A**) sur son levier (**B**) : tournez le pommeau dans le sens des aiguilles d'une montre.
2. Pour dévisser le pommeau : tournez-le dans le sens inverse des aiguilles d'une montre.



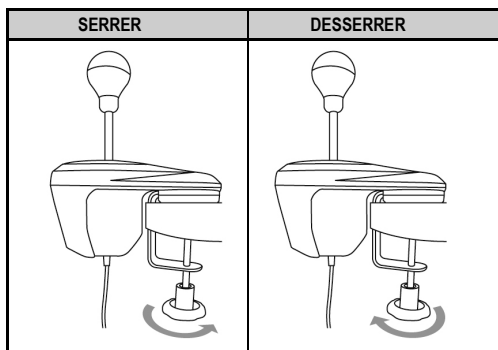
FIXATION DE LA BOÎTE DE VITESSES

La fixation est optimisée pour tout type de support :

- **Tables, bureaux** ou **tablettes** de 1 à 55 mm d'épaisseur via le système de fixation (**H**)
- **Cockpits** via les « pas de vis » (**I**) intégrés (et le système de fixation qui est amovible)

Fixer la boîte de vitesses sur une table ou un bureau

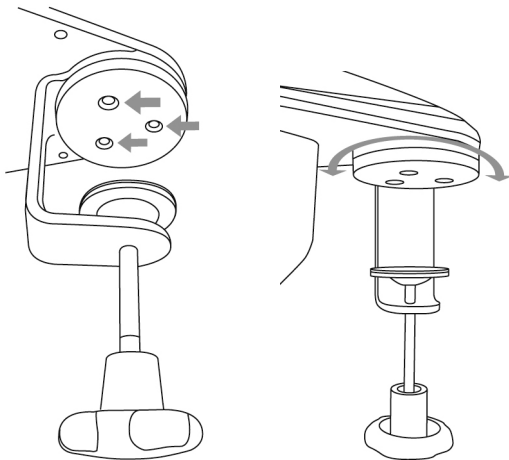
1. Placez le nez de la boîte de vitesses sur une table ou autre surface plane.
2. Pour serrer : tournez la molette de fixation dans le sens inverse des aiguilles d'une montre.
3. Pour desserrer : tournez la molette dans le sens des aiguilles d'une montre.



Position et rotation du système de fixation (ajustable sur 360°)

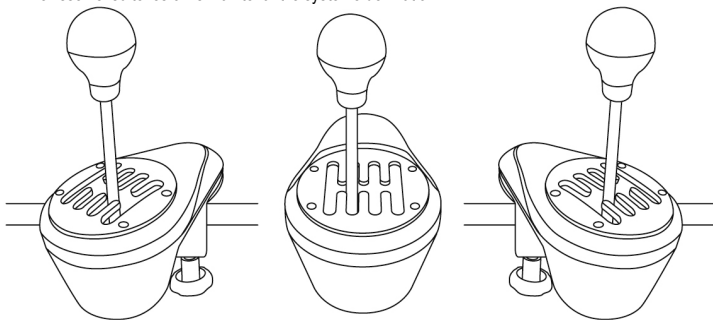
1. A l'aide de la clé Allen 2,5 mm fournie (E), dévissez très légèrement les 3 vis maintenant le système de fixation (H).

Le système de fixation (et donc l'ensemble de la boîte) peut alors tourner manuellement sur 360°



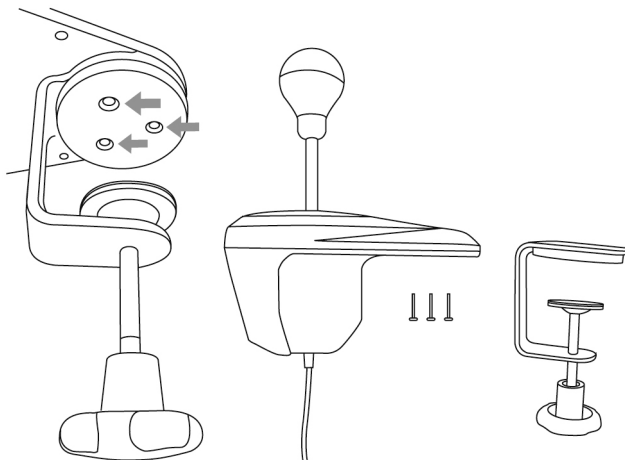
2. Choisissez votre position préférée sur 360° (3 exemples parmi de nombreuses autres possibilités sont illustrés ci-dessous).

Revissez ensuite les 3 vis maintenant le système de fixation.

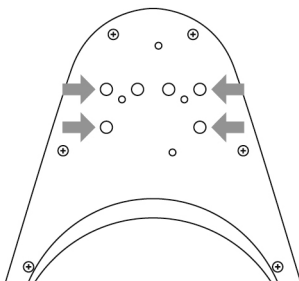


Fixer la boîte de vitesses sur un cockpit

1. A l'aide de la clé Allen 2,5 mm fournie (E), dévissez complètement et retirez les 3 vis maintenant le système de fixation (H). Séparez-le ensuite de la boîte de vitesses.



2. Une fois le système de fixation enlevé, vissez 2 vis « M6 » (non fournies) dans la tablette du cockpit et dans 2 des 4 petits « pas de vis » (I) situés sous le nez inférieur de la boîte de vitesses.

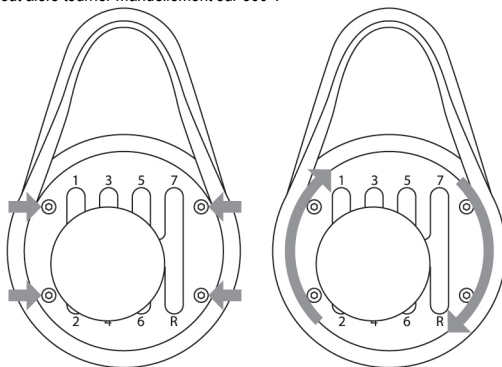


N'utilisez pas de vis « M6 » trop longue qui pourrait transpercer et endommager le nez supérieur de la boîte de vitesses

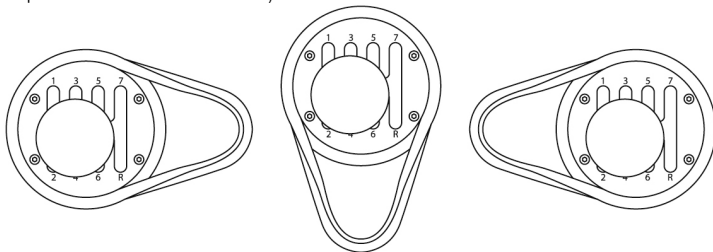
Plan d'implantation de la boîte de vitesse pour les cockpits disponible sur <http://support.thrustmaster.com> (cliquez sur Volants / TH8A Shifter puis Manuel utilisateur)

POSITION ET ROTATION DES GRILLES (AJUSTABLES SUR 360°)

1. A l'aide de la clé Allen 2,5 mm fournie (E), dévissez légèrement les 4 vis maintenant la grille de passage de vitesses (C ou D).
La grille peut alors tourner manuellement sur 360°.



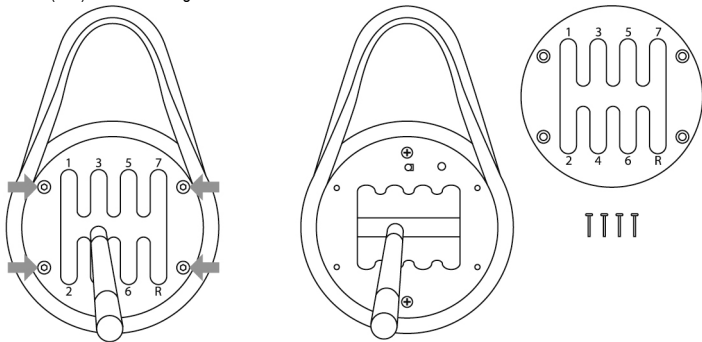
2. Choisissez votre position préférée sur 360° (3 exemples parmi de nombreuses autres possibilités sont illustrés ci-dessous)



3. Revissez les 4 vis maintenant la grille.

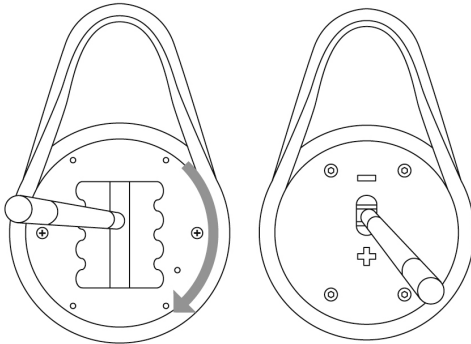
BASCULER DE LA GRILLE « H (7+1) » A LA GRILLE « SEQUENTIELLE (+/-) »

1. Dévissez (dans le sens inverse des aiguilles d'une montre) et enlevez le pommeau (A).
2. A l'aide de la clé Allen 2,5 mm fournie (E), dévissez complètement les 4 vis maintenant la grille « H (7+1) ». Enlevez la grille.

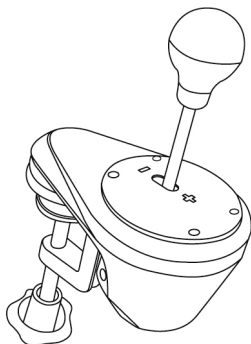


Lors de cette opération, veillez à ne pas laisser tomber accidentellement l'une des vis à l'intérieur du mécanisme interne.

3. Tournez manuellement la structure interne de 90° vers la droite. Installez ensuite la grille « Séquentielle (+/-) ».

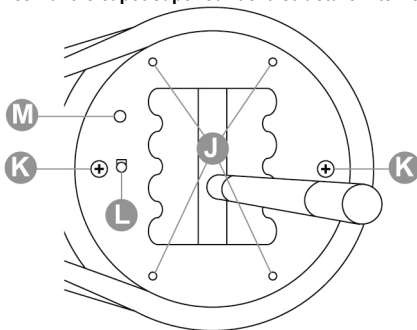


4. A l'aide de la clé Allen 2,5 mm fournie (**E**), revissez complètement les 4 vis maintenant la grille « Séquentielle (+/-) ». Revissez le pommeau.



Effectuez l'opération inverse pour revenir à la grille « H (7+1) ».

Remarques concernant le capot supérieur de la structure interne :



J : 4 « Pas de vis » pour fixer les grilles (**C ou D**)

K : 2 Vis qui fixent la structure interne (ne pas dévisser).

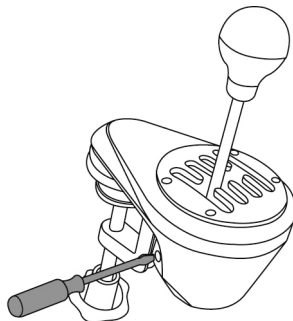
L : Bouton d'auto-détection du type de grille utilisé (**C ou D**). Est appuyé **automatiquement** lorsque vous installez la grille « Séquentielle (+/-) ». Laissez propre pour éviter tout conflit de détection.

M : Détrompeur pour positionner les grilles plus facilement

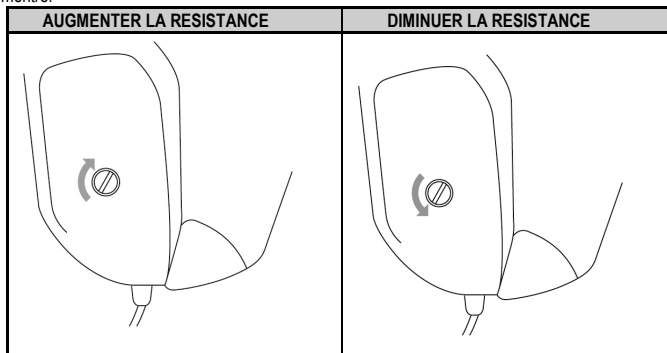
AJUSTER LA RESISTANCE DU PASSAGE DES VITESSES

* Ne fonctionne que pour la grille « H (7+1) »

* Avant ajustement, la grille « H (7+1) » doit être impérativement installée en position originale (schéma ci-dessous)



1. A l'aide d'un large tournevis plat, accédez à l'embout de vis plat (G) situé en bas à gauche de la coque.
2. Pour augmenter légèrement la résistance : vissez dans le sens des aiguilles d'une montre.
3. Pour diminuer légèrement la résistance : dévissez dans le sens inverse des aiguilles d'une montre.



2 tours complets suffisent pour passer d'un extrême à l'autre



Pour ne pas endommager le système :

- Arrêtez de visser lorsque vous sentez une forte résistance.
- Arrêtez de dévisser lorsque le levier devient lâche et prend du jeu.

INSTALLATION SUR CONSOLE DE JEU

PLAYSTATION®3

= Pour tous les jeux PS3™, branchez toujours (*) le TH8A directement sur le port USB de la PS3™ (et non sur la base du volant Thrustmaster)

- Branchez le connecteur **DIN** du TH8A sur le câble **DIN / USB**.
- Branchez le TH8A sur l'un des ports USB de votre PS3™.
- Lancez le jeu.

Le TH8A est alors fonctionnel avec grille H (7+1) ou grille SEQUENTIELLE (+/-).

(*) Astuces importantes sur PS3™ (valables uniquement si vous utilisez un volant Thrustmaster avec connecteur de boîte de vitesses intégré)

- Lorsque la grille SEQUENTIELLE (+/-) du TH8A est installée, vous pouvez également brancher la boîte à l'arrière du volant à l'aide du câble détachable **DIN / DIN**. Dans ce cas, le TH8A est couplé avec les palettes de vitesses UP (= R1) et DOWN (= L1) du volant.

Avec ce volant, le TH8A avec grille SEQUENTIELLE (+ /-) est compatible dans 100% des jeux PS3™ compatibles avec le volant.

- En fonction des jeux, **vous pouvez également utiliser deux TH8A simultanément** :
 - un TH8A avec grille H (7+1) branché sur le port USB de la PS3™
 - + un TH8A avec grille SEQUENTIELLE (+/-) branché à l'arrière du volant

* La liste des jeux PS3™ compatibles avec le TH8A est disponible ici :

<http://support.thrustmaster.com> (cliquez sur Volants / TH8A Shifter puis Paramètres de jeux). Cette liste est régulièrement actualisée.

* Sur PS3™, il est conseillé de ne pas utiliser de hub pour la connexion USB (que ce soit pour le volant ou le TH8A) = branchez directement sur les ports USB de la PS3™.

* Pour certains jeux, il est indispensable d'installer les dernières mises à jour disponibles pour que le TH8A soit fonctionnel (vous devez être connecté à Internet).

En fonction du jeu PS4™ ou du volant utilisé :

= Branchez (*) le TH8A directement sur le port USB de la PS4™

- Branchez le connecteur DIN du TH8A sur le câble DIN / USB.
- Branchez le TH8A sur l'un des ports USB de votre PS3™.
- Lancez votre jeu.

Le TH8A est alors fonctionnel avec grille H (7+1) ou grille SEQUENTIELLE (+/-).

Ou

= Branchez (*) le TH8A directement sur la base du volant Thrustmaster (possible uniquement si votre volant Thrustmaster possède un connecteur de boîte de vitesses intégré)

- Branchez le connecteur DIN du TH8A au **câble détachable DIN / DIN**.
- Branchez le TH8A au connecteur pour la boîte de vitesses situé à l'arrière de la base du volant.
- Branchez votre volant, puis lancez le jeu.

Le TH8A est alors fonctionnel avec grille H (7+1) ou grille SEQUENTIELLE (+/-).

(*) Astuces importantes sur PS4™ (valables uniquement si vous utilisez un volant Thrustmaster avec connecteur de boîte de vitesses intégré)

- Lorsque la grille SEQUENTIELLE (+/-) du TH8A est installée, vous pouvez également brancher la boîte à l'arrière du volant à l'aide du câble détachable DIN / DIN. Dans ce cas, le TH8A est couplé avec les palettes de vitesses UP (= R1) et DOWN (= L1) du volant.

Avec ce volant, le TH8A avec grille SEQUENTIELLE (+/-) est donc compatible dans 100% des jeux PS4™ compatibles avec le volant.

- En fonction des jeux, **vous pouvez également utiliser deux TH8A simultanément** :
 un TH8A avec grille H (7+1) branché sur le port USB de la PS4™
 + un TH8A avec grille SEQUENTIELLE (+/-) branché à l'arrière du volant

* La liste des jeux PS4™ compatibles avec le TH8A et la procédure de branchement nécessaire (*) en fonction du jeu utilisé sont disponibles ici : <http://support.thrustmaster.com> (cliquez sur Volants / TH8A Shifter puis Paramètres de jeux). Cette liste est régulièrement actualisée.

* Sur PS4™, il est conseillé de ne pas utiliser de hub pour la connexion USB (que ce soit pour le volant ou le TH8A) = branchez directement sur les ports USB de la PS4™.

* Pour certains jeux, il est indispensable d'installer les dernières mises à jour disponibles pour que le TH8A soit fonctionnel (vous devez être connecté à Internet).

XBOX ONE

= Pour tous les jeux Xbox One, branchez toujours le TH8A directement à la base du volant Thrustmaster (et jamais sur le port USB de la console)

- Branchez le connecteur DIN du TH8A sur le **câble détachable DIN / DIN**.
- Branchez le TH8A sur le connecteur pour la boîte de vitesses situé à l'arrière de la base du volant
- Branchez votre volant, puis lancez le jeu.

Le TH8A est alors fonctionnel avec grille H (7+1) ou grille SEQUENTIELLE (+/-).

Remarque importante sur Xbox One :

Lorsque la grille du TH8A est en mode « SEQUENTIELLE (+/-) », la boîte de vitesse est couplée avec les palettes de vitesses UP (= RB) & DOWN (= LB) de la roue du volant.

Lorsque la grille SEQUENTIELLE (+/-) du TH8A est installée, le TH8A est compatible dans 100% des jeux Xbox One compatibles avec le volant Thrustmaster Xbox One.

* La liste des jeux XboxOne compatibles avec le TH8A est disponible ici : <http://support.thrustmaster.com> (cliquez sur Volants / TH8A Shifter puis Paramètres de jeux). Cette liste est régulièrement actualisée.

* Pour certains jeux, il est indispensable d'installer les dernières mises à jour disponibles pour que le TH8A soit fonctionnel (vous devez être connecté à Internet).



Pour que votre volant Thrustmaster Xbox One soit compatible avec le TH8A, il peut être nécessaire de mettre à jour le firmware du volant avec la dernière version disponible, via PC, à cette adresse : <http://support.thrustmaster.com> (cliquez sur Volants / TH8A Shifter puis Firmware).

INSTALLATION SUR PC

= Pour tous les jeux PC (*), branchez toujours le TH8A directement sur le port USB du PC.

- Branchez le connecteur DIN du TH8A sur le câble DIN / USB.
- Branchez le TH8A sur l'un des ports USB de votre PC
- Le TH8A est Plug & Play sur PC : votre périphérique sera alors automatiquement détecté et installé.
- Il apparaîtra dans le « Control Panel / Contrôleur de jeu » de Windows® sous le nom T500 RS Gear Shift.
- Cliquez sur Propriétés pour tester et visualiser ses fonctionnalités.
- Lancez le jeu.

Vous êtes maintenant prêt à jouer !

(* Astuces importantes sur PC (valables uniquement si vous utilisez un volant Thrustmaster avec connecteur de boîte de vitesses intégré)

- Lorsque la grille SEQUENTIELLE (+/-) du TH8A est installée, vous pouvez également brancher la boîte à l'arrière du volant à l'aide du câble détachable DIN / DIN. Dans ce cas, le TH8A est couplé avec les palettes de vitesses UP (= 2) et DOWN (= 1) du volant. Avec ce volant, le TH8A avec grille SEQUENTIELLE (+ /-) est compatible dans 100% des jeux PC compatibles avec le volant.
- En fonction des jeux, vous pouvez également utiliser deux TH8A simultanément :
 - un TH8A avec grille H (7+1) branché sur le port USB du PC
 - + un TH8A avec grille SEQUENTIELLE (+/-) branché à l'arrière du volant

* Sur PC, la boîte de vitesses Thrustmaster est compatible :

- dans tous les jeux acceptant le MULTI-USB et les boîtes de vitesses
- avec tous les volants du marché

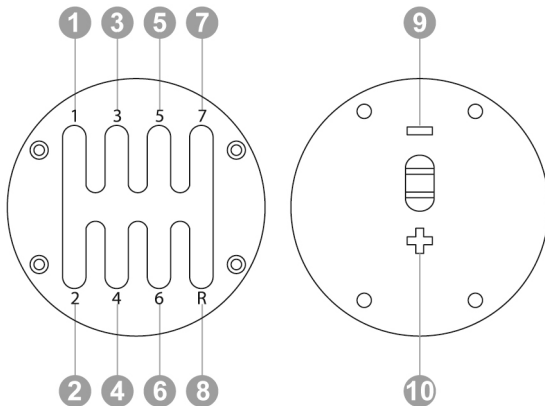
* Il est préférable de brancher le volant et le TH8A directement sur les ports USB 2.0 (et non 3.0) de votre PC, sans utiliser de hub.

* Pour certains jeux PC, il est indispensable d'installer les dernières mises à jour du jeu disponibles pour que le TH8A soit fonctionnel.

* Dans certains jeux PC (pour éviter tout conflit entre le volant et le TH8A), il peut-être nécessaire :

- de ne rien configurer sur les palettes de changement de vitesses du volant
- d'activer la fonction « Bouton Pressé : Changement Vitesse »

MAPPING SUR PC



PACKAGE LOGICIEL

Sur PC, un package logiciel est disponible ici :

<http://support.thrustmaster.com> (cliquez sur Volants / TH8A Shifter puis Pilotes).

Une fois le package logiciel installé, vous pourrez :

- * vérifier la version de firmware du TH8A
- * mettre à jour (si nécessaire) le firmware avec la dernière version disponible
- * utiliser la méthode BOOTLOADER (pour réveiller votre TH8A en cas de perte de firmware)
- * profiter sur PC d'un Control Panel (Contrôleur de jeu) personnalisé
- * profiter sur PC du mode ANALOG (Frein à main)

LOGICIEL DE CALIBRATION AVANCEE

La calibration du TH8A est automatique.

Un logiciel de calibration avancée sur PC est également disponible ici :

<http://support.thrustmaster.com> (cliquez sur Volants / TH8A Shifter puis Logiciel), **pour vous permettre d'ajuster à votre convenance la course des rapports.**

Une fois les réglages effectués, ils seront instantanément sauvegardés dans la mémoire interne du TH8A (et seront opérationnels sur PS3™, PS4™, Xbox One et PC).

RECAPITULATIF DE BRANCHEMENT DU TH8A EN FONCTION DE LA PLATEFORME UTILISÉE

Branchez le TH8A	
PS3™	Toujours (*) sur la PS3™ (USB)
PS4™	<u>En fonction du jeu ou du volant utilisé (*)</u> : - soit sur la PS4™ (USB) - soit à l'arrière du volant (DIN)
XBOX ONE	Toujours à l'arrière du volant (DIN)
PC	Toujours (*) sur le PC (USB)

(*) Pour les exceptions, reportez-vous aux sections **Astuces importantes** dans les pages correspondantes du manuel.

AVERTISSEMENT

* Ne branchez jamais le TH8A directement sur un volant d'une marque autre que Thrustmaster, même si le connecteur DIN est compatible. Vous risquez d'endommager le TH8A ou le volant de l'autre marque.

DEPANNAGE

- * Ma boîte de vitesses ne fonctionne pas correctement ou semble mal calibrée :
 - Eteignez votre ordinateur ou votre console, débranchez votre boîte de vitesses, rebranchez-la et relancez votre jeu.
 - Dans votre jeu, dans « Options / Contrôleur », choisissez ou paramétrez la configuration la mieux appropriée.
 - Reportez-vous au manuel de l'utilisateur ou à l'aide en ligne de votre jeu pour plus d'informations.
- Aides et astuces diverses (non notifiées dans ce manuel), liste des jeux compatibles, etc. disponibles sur le site <http://support.thrustmaster.com>. Cliquez sur Volants / TH8A Shifter.
- Sur Xbox One, pour que votre volant Thrustmaster Xbox One soit compatible avec le TH8A, il peut être nécessaire de mettre à jour le firmware du volant avec la dernière version disponible, via PC, à cette adresse : <http://support.thrustmaster.com> (cliquez sur Volants / TH8A Shifter puis Firmware).

INFORMATIONS RELATIVES A LA GARANTIE AUX CONSOMMATEURS

Dans le monde entier, Guillemot Corporation S.A., ayant son siège social Place du Granier, B.P. 97143, 35571 Chantepie, France (ci-après « Guillemot ») garantit au consommateur que le présent produit Thrustmaster est exempt de défaut matériel et de vice de fabrication, et ce, pour une période de garantie qui correspond au délai pour intenter une action en conformité de ce produit. Dans les pays de l'Union Européenne, ce délai est de deux (2) ans à compter de la délivrance du produit Thrustmaster. Dans les autres pays, la durée de la période de garantie correspond au délai pour intenter une action en conformité du produit Thrustmaster selon la législation en vigueur dans le pays où le consommateur avait son domicile lors de l'achat du produit Thrustmaster (si une telle action en conformité n'existe pas dans ce pays alors la période de garantie est de un (1) an à compter de la date d'achat d'origine du produit Thrustmaster).

Si, au cours de la période de garantie, le produit semble défectueux, contactez immédiatement le Support Technique qui vous indiquera la procédure à suivre. Si le défaut est confirmé, le produit devra être retourné à son lieu d'achat (ou tout autre lieu indiqué par le Support Technique).

Dans le cadre de la garantie, le consommateur bénéficiera, au choix du Support Technique, d'un remplacement ou d'une remise en état de marche du produit défectueux. Si, pendant la période de garantie, le produit Thrustmaster fait l'objet d'une telle remise en état, toute période d'immobilisation d'au moins sept jours vient s'ajouter à la durée de la garantie qui restait à courir (cette période court à compter de la demande d'intervention du consommateur ou de la mise à disposition pour remise en état du produit en cause, si cette mise à disposition est postérieure à la demande d'intervention). Lorsque la loi applicable l'autorise, toute responsabilité de Guillemot et ses filiales (y compris pour les dommages indirects) se limite à la remise en état de marche ou au remplacement du produit Thrustmaster. Lorsque la loi applicable l'autorise, Guillemot exclut toutes garanties de qualité marchande ou d'adaptation à un usage particulier.

Cette garantie ne s'appliquera pas : (1) si le produit a été modifié, ouvert, altéré, ou a subi des dommages résultant d'une utilisation inappropriée ou abusive, d'une négligence, d'un accident, de l'usure normale, ou de toute autre cause non liée à un défaut matériel ou à un vice de fabrication (y compris, mais non limitativement, une combinaison du produit Thrustmaster avec tout élément inadapté, notamment alimentations électriques, batteries, chargeurs, ou tous autres éléments non-fournis par Guillemot pour ce produit) ; (2) si le produit a été utilisé en dehors du cadre privé, à des fins professionnelles ou commerciales (salles de jeu, formations, compétitions, par exemple). (3) en cas de non respect des instructions du Support Technique ; (4) aux logiciels, lesdits logiciels faisant l'objet d'une garantie spécifique ; (5) aux consommables (éléments à remplacer pendant la durée de vie du produit : piles, coussinets de casque audio, par exemple) ; (6) aux accessoires (câbles, étuis, housses, sacs, dragonnes, par exemple) ; (7) si le produit a été vendu aux enchères publiques.

Cette garantie n'est pas transférable.

Les droits légaux du consommateur au titre de la législation applicable dans son pays à la vente de biens de consommation ne sont pas affectés par la présente garantie.

Par exemple, en France, indépendamment de la présente garantie, le vendeur reste tenu de la garantie légale de conformité mentionnée aux articles L. 217-4 à L.217-12 du code de la consommation et de celle relative aux défauts (vices cachés) de la chose vendue, dans les conditions prévues aux articles 1641 à 1648 et 2232 du code civil. La loi applicable (c'est-à-dire la loi française) impose de reproduire les extraits de la loi française suivants :

Article L. 217-4 du code de la consommation :

Le vendeur livre un bien conforme au contrat et répond des défauts de conformité existant lors de la délivrance.

Il répond également des défauts de conformité résultant de l'emballage, des instructions de montage ou de l'installation lorsque celle-ci a été mise à sa charge par le contrat ou a été réalisée sous sa responsabilité.

Article L. 217-5 du code de la consommation :

Le bien est conforme au contrat :

1° S'il est propre à l'usage habituellement attendu d'un bien semblable et, le cas échéant :

- s'il correspond à la description donnée par le vendeur et possède les qualités que celui-ci a présentées à l'acheteur sous forme d'échantillon ou de modèle ;

- s'il présente les qualités qu'un acheteur peut légitimement attendre eu égard aux déclarations publiques faites par le vendeur, par le producteur ou par son représentant, notamment dans la publicité ou l'étiquetage ;

2° Ou s'il présente les caractéristiques définies d'un commun accord par les parties ou est propre à tout usage spécial recherché par l'acheteur, porté à la connaissance du vendeur et que ce dernier a accepté.

Article L. 217-12 du code de la consommation :

L'action résultant du défaut de conformité se prescrit par deux ans à compter de la délivrance du bien.

Article L. 217-16 du code de la consommation :

Lorsque l'acheteur demande au vendeur, pendant le cours de la garantie commerciale qui lui a été consentie lors de l'acquisition ou de la réparation d'un bien meuble, une remise en état couverte par la garantie, toute période d'immobilisation d'au moins sept jours vient s'ajouter à la durée de la garantie qui restait à courir.

Cette période court à compter de la demande d'intervention de l'acheteur ou de la mise à disposition pour réparation du bien en cause, si cette mise à disposition est postérieure à la demande d'intervention.

Article L. 1641 du code civil:

Le vendeur est tenu de la garantie à raison des défauts cachés de la chose vendue qui la rendent impropre à l'usage auquel on la destine, ou qui diminuent tellement cet usage que l'acheteur ne l'aurait pas acquise, ou n'en aurait donné qu'un moindre prix, s'il les avait connus.

Article L. 1648 alinéa 1^{er} du code civil:

L'action résultant des vices rédhibitoires doit être intentée par l'acquéreur dans un délai de deux ans à compter de la découverte du vice.

Stipulations additionnelles à la garantie

Pendant la période de garantie, Guillemot ne fournira, en principe, pas de pièce détachée car le Support Technique est seul habilité tant à ouvrir qu'à remettre en état tout produit Thrustmaster (à l'exception des remises en état que le Support Technique demanderait, par instructions écrites, au consommateur d'effectuer -par exemple en raison de la simplicité et de l'absence de confidentialité du processus de remise en état-, en lui fournissant, le cas échéant, la ou les pièces détachées nécessaires).

Compte tenu de ses cycles d'innovation et pour préserver ses savoir-faire et secrets, Guillemot ne fournira, en principe, ni notice de remise en état, ni pièce détachée pour tout produit Thrustmaster dont la période de garantie est expirée.

Aux États-Unis d'Amérique et au Canada, la présente garantie est limitée au mécanisme interne et au boîtier externe du produit. En aucun cas, Guillemot ou ses sociétés affiliées ne sauraient être tenues responsables envers qui que ce soit de tous dommages indirects ou dommages accessoires résultant du non respect des garanties expresses ou implicites. Certains États/Provinces n'autorisent pas la limitation sur la durée d'une garantie implicite, ou l'exclusion ou la limitation de responsabilité pour les dommages indirects ou accessoires, de sorte que les limitations ou exclusions ci-dessus peuvent ne pas vous être applicables. Cette garantie vous confère des droits spécifiques ; vous pouvez également bénéficier d'autres droits qui peuvent différer d'un État/Province à l'autre.

Responsabilité

Lorsque la loi applicable l'autorise, Guillemot Corporation S.A. (ci-après « Guillemot ») et ses filiales excluent toute responsabilité pour tous dommages causés par un ou plusieurs des faits suivants: (1) le produit a été modifié, ouvert, altéré, (2) l'irrespect des instructions de montage, (3) l'utilisation inappropriée ou abusive, la négligence, l'accident (un choc, par exemple), (4) l'usure normale du produit, (5) l'utilisation du produit en dehors du cadre privé, à des fins professionnelles ou commerciales (salles de jeu, formations, compétitions, par exemple). Lorsque la loi applicable l'autorise, Guillemot et ses filiales excluent toute responsabilité pour tout dommage dont la cause n'est pas liée à un défaut matériel ou à un vice de fabrication du produit (y compris, mais non limitativement, tout dommage causé directement ou indirectement par tout logiciel, ou par une combinaison du produit Thrustmaster avec tout élément inadapté, notamment alimentations électriques, batteries, chargeurs, ou tous autres éléments non-fournis par Guillemot pour ce produit).

THRUSTMASTER®

SUPPORT TECHNIQUE

<http://support.thrustmaster.com>



COPYRIGHT

© 2017 Guillemot Corporation S.A. Tous droits réservés. Thrustmaster® est une marque déposée de Guillemot Corporation S.A. Toutes les autres marques sont la propriété de leurs propriétaires respectifs. Illustrations non contractuelles. Le contenu, la conception et les spécifications sont susceptibles de changer sans préavis et de varier selon les pays. Fabriqué en Chine.

RECOMMANDATION RELATIVE A LA PROTECTION DE L'ENVIRONNEMENT



* Dans l'Union Européenne : En fin de vie, ce produit ne doit pas être éliminé avec les déchets ménagers normaux mais déposé à un point de collecte des déchets d'équipements électriques et électroniques en vue de son recyclage.

Ceci est confirmé par le symbole figurant sur le produit, le manuel utilisateur ou l'emballage.

En fonction de leurs caractéristiques, les matériaux peuvent être recyclés. Par le recyclage et par les autres formes de valorisation des déchets d'équipements électriques et électroniques, vous contribuez de manière significative à la protection de l'environnement. Veuillez consulter les autorités locales qui vous indiqueront le point de collecte concerné.

Dans les autres pays : Veuillez vous reporter aux législations locales relatives au recyclage des équipements électriques et électroniques.

Informations à conserver. Les couleurs et décorations peuvent varier.

Il est recommandé de retirer les attaches en plastique et les adhésifs avant d'utiliser le produit.

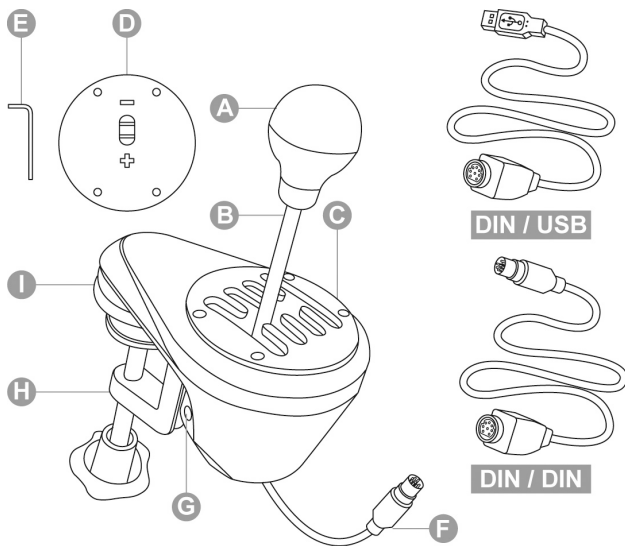
www.thrustmaster.com

**Applicable à l'UE et la Turquie uniquement*



PlayStation®3 – PlayStation®4 – Xbox One – PC

Benutzerhandbuch



TECHNISCHE FEATURES

- | | |
|--|--|
| <p>A Abnehmbarer Schaltkopf
(werksseitig nicht montiert)</p> <p>B Schaltstange</p> <p>C Anpaßbare "H-Schaltung (7+1)" Schaltplatte
(werksseitig vormontiert)</p> <p>D Anpaßbare "Sequenzielle (+/-)" Schaltplatte
(werksseitig nicht montiert)</p> <p>E 2.5 mm Inbusschlüssel (enthalten)</p> | <p>F Kabel und DIN-Stecker</p> <p>G Interne Spannschraube</p> <p>H Anpaßbares Klemmsystem</p> <p>I "Schraubgewinde" zur Cockpitmontage</p> |
| | <p>DIN/USB Abnehmbares DIN/USB Kabel</p> <p>DIN/DIN Abnehmbares DIN/DIN Kabel</p> |

WARNUNG

Bevor Sie dieses Produkt in Gebrauch nehmen, lesen Sie sich dieses Handbuch sorgfältig durch. Heben Sie dieses Handbuch für zukünftiges Nachlesen auf.



Warnung – Elektrischer Schlag

- * Bewahren Sie dieses Produkt an einem trockenen Ort auf und setzen es weder Staub noch direktem Sonnenlicht aus.
- * Beachten Sie die Einsteckrichtung für Stecker.
- * Verdrehen oder ziehen Sie weder (an) Kabel(n) oder Stecker(n).
- * Verschütten Sie keine Flüssigkeiten auf das Produkt oder dessen Stecker.
- * Schließen Sie dieses Produkt nicht kurz.
- * Nehmen Sie dieses Produkt nicht auseinander (außer für mögliche Anpassungen, die in diesem Handbuch beschrieben werden), versuchen Sie dieses Produkt nicht zu verbrennen oder setzen es hohen Temperaturen aus.



Warnung – Schädigungen durch wiederholte Bewegungen

Spielen mit einem Gangschalthebel kann Muskel- und Gelenkschmerzen verursachen. Um jedwede Probleme zu vermeiden:

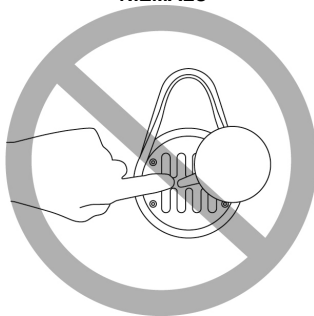
- * Vermeiden Sie das Spielen über sehr lange Zeiträume.
- * Pausieren Sie nach jeder Spielstunde für 10 bis 15 Minuten.
- * Sollten Sie Ermüdungserscheinungen oder Schmerzen in Ihren Händen, Handgelenken oder Armen verspüren, hören Sie mit dem Spielen auf und ruhen für einige Stunden aus bevor Sie weiterspielen.
- * Falls die oben beschriebenen Symptome oder Schmerzen weiterbestehen nachdem Sie wieder zu Spielen begonnen haben, hören Sie mit dem Spielen auf und konsultieren Ihren Arzt.
- * Stellen Sie sicher, daß die Basis des Gangschalthebels ordnungsgemäß nach den in diesem Handbuch beschriebenen Instruktionen montiert ist.



Warnung – Klemmgefahr durch die Öffnungen der Schaltplatte

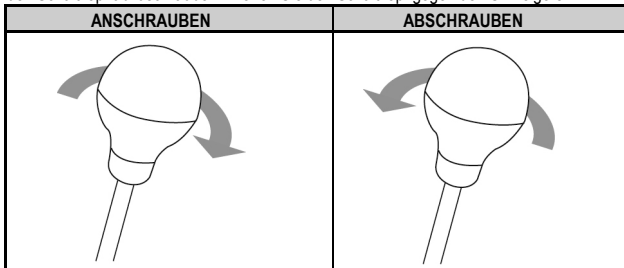
- * Außer Reichweite von Kindern aufbewahren.
- * Beim Spielen niemals Ihre Finger (oder jedwede anderen Körperteile) in die Öffnungen der Schaltplatte stecken.

NIEMALS



MONTIEREN DES SCHALTKOPFES

1. Um den Schaltkopf **(A)** auf dessen Schaltstange **(B)** zu montieren: Drehen Sie den Schaltkopf im Uhrzeigersinn.
2. Um den Schaltkopf abzuschrauben: Drehen Sie den Schaltkopf gegen den Uhrzeigersinn.



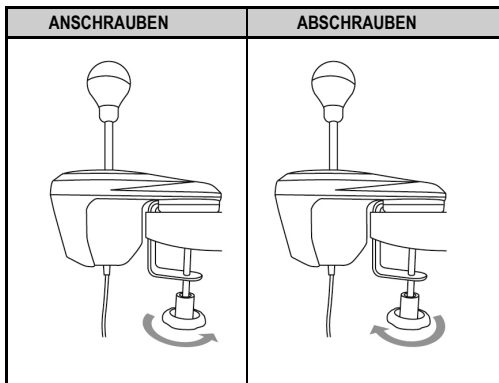
MONTIEREN DER GANGSCHALTUNG

Optimierte Montage für jedweden Anbautyp:

- **Tische, Schreibtische oder Regale** von 1 bis 55 mm Dicke via des Klemmsystems **(H)**.
- **Cockpits** via der eingebauten "Schraubgewinde" (das Klemmsystem ist abnehmbar).

Montieren der Gangschaltung auf einem Tisch oder Schreibtisch

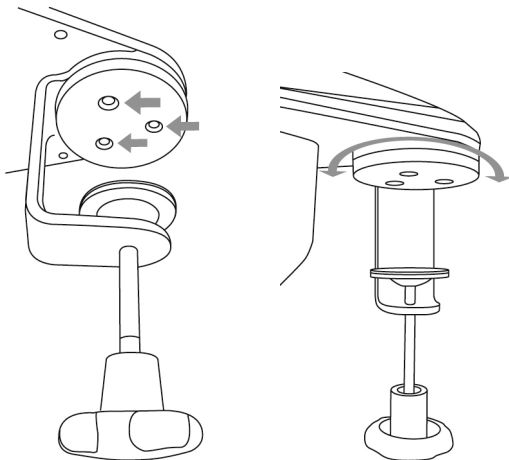
1. Platzieren Sie die Nase der Gangschaltung auf einem Tisch oder auf einer anderen flachen Oberfläche.
2. Zum Anschrauben: Drehen Sie das Feststellrad entgegen dem Uhrzeigersinn.
3. Zum Abschrauben: Drehen Sie das Feststellrad im Uhrzeigersinn.



Positionierung und drehen des Klemmsystems (kann um 360° gedreht werden)

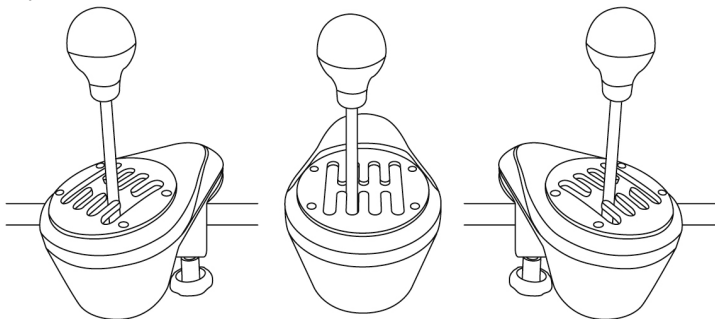
1. Benutzen Sie den beigelegten 2.5 mm Inbusschlüssel (**E**) und lösen ein wenig die 3 Schrauben, die das Klemmsystem (**H**) in Position halten.

Das Klemmsystem (und demnach die ganze Gangschaltung) kann nun manuell um 360° gedreht werden.



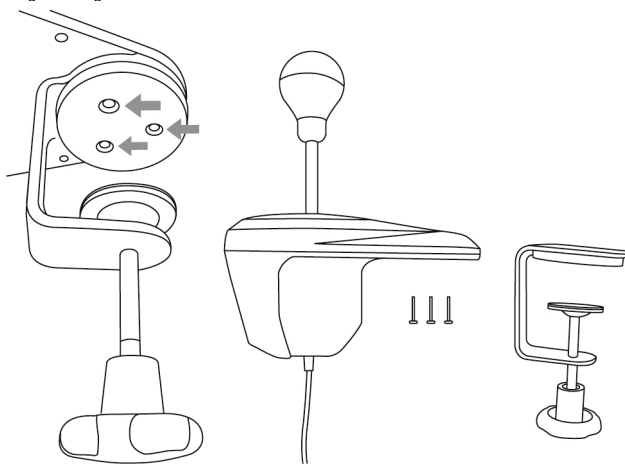
2. Wählen Sie Ihre bevorzugte Position (3 Beispiele, unter vielen anderen Möglichkeiten, werden unten gezeigt).

Als nächstes ziehen Sie die 3 Halteschrauben, die das Klemmsystem in Position halten, wieder an.

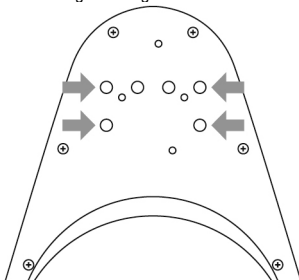


Montieren der Gangschaltung in einem Cockpit

1. Benutzen Sie den beigelegten 2.5 mm Inbusschlüssel (**E**) und **schauben die** 3 Schrauben, die das Klemmsystem (**H**) in Position halten, **komplett ab**. Nehmen Sie das Klemmsystem von der Gangschaltung ab.



2. Ist das Klemmsystem entfernt, schrauben Sie 2 "M6" (metrische Schrauben mit 16mm-Gewinde) Schrauben (nicht enthalten) durch die Cockpit-Platte und in 2 der 4 kleinen "Schraubgewinde" (I) an der Unterseite der Nase der Gangschaltung.

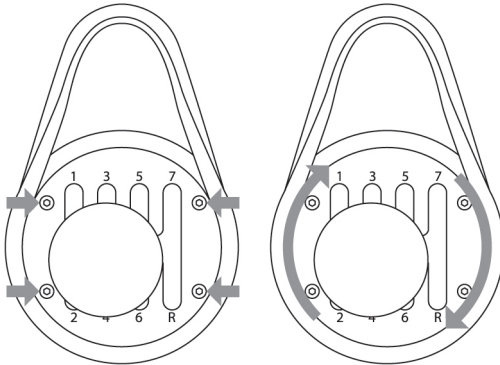


Stellen Sie sicher, daß die "M6" Schrauben nicht zu lang sind, da diese sonst den oberen Teil der Gangschaltungsnase perforieren und beschädigen könnten.

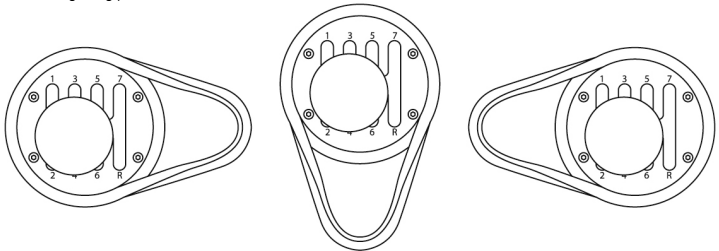
Zum Einbau der Gangschaltung in ein Cockpit ist unter <http://support.thrustmaster.com> (klicken Sie auf Lenkräder / TH8A Shifter und wählen dann Benutzerhandbuch) eine Montageschablone erhältlich.

POSITIONIERUNG UND DREHEN DER SCHALTPLATTEN (KÖNNEN UM 360° GEDREHT WERDEN)

1. Benutzen Sie den beigelegten 2.5 mm Inbusschlüssel (**E**), **und lösen ein wenig** die 4 Schrauben, die die Schaltplatte (**C oder D**) in Position halten. Die Schaltplatte kann nun manuell um 360° gedreht werden.



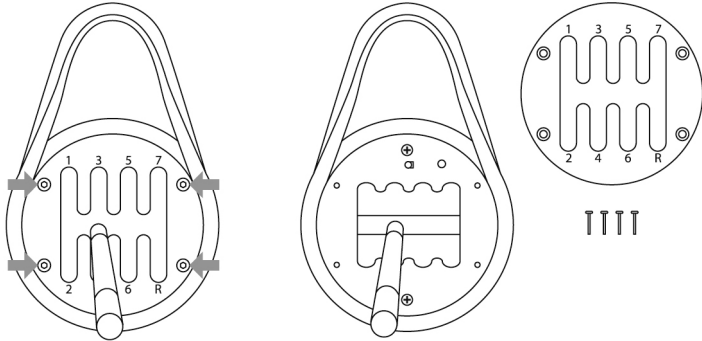
2. Wählen Sie Ihre bevorzugte Position (3 Beispiele, unter vielen anderen Möglichkeiten, werden unten gezeigt).



3. Als nächstes ziehen Sie die 4 Halteschrauben, die die Schaltplatte in Position halten, wieder an.

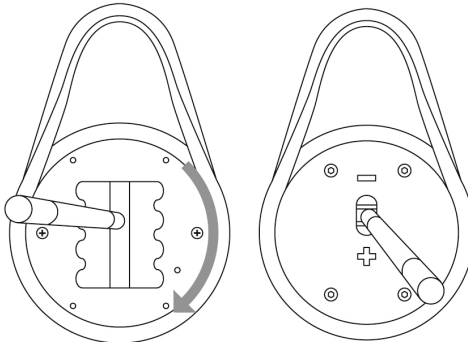
WECHSEL DER "H-SCHALTUNG (7+1)" SCHALTPLATTE AUF DIE "SEQUENZIELLE (+/-)" SCHALTPLATTE

1. Schrauben Sie den Schaltkopf (A) entgegen dem Uhrzeigersinn ab.
2. Benutzen Sie den beigelegten 2.5 mm Inbusschlüssel (E), **lösen und entfernen Sie vollständig** die 4 Schrauben, die die "H-Schaltung (7+1)" Schaltplatte in Position halten. Entfernen Sie die Schaltplatte.

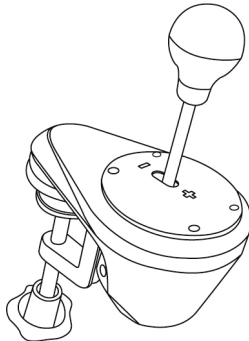


Achten Sie darauf, daß während dieser Prozedur keine der Schrauben versehentlich in den internen Mechanismus fallen.

3. Drehen Sie manuell die interne Struktur um 90° nach rechts (im Uhrzeigersinn). Montieren Sie dann die "Sequenzielle (+/-)" Schaltplatte.

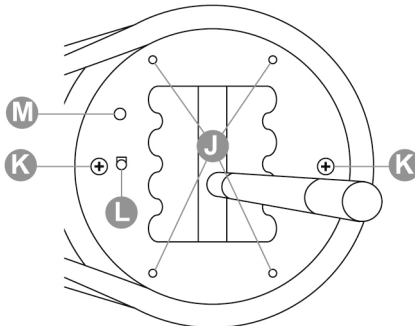


4. Mittels des beigelegten 2.5 mm Inbusschlüssels (E), setzen Sie die 4 Schrauben, die die "Sequenzielle (+/-)" Schaltplatte in Position halten, komplett wieder ein und ziehen diese wieder fest. Schrauben Sie den Schaltkopf im Uhrzeigersinn wieder an.



Führen Sie diese Prozedur umgekehrt aus, um die "H-Schaltung (7+1)" Schaltplatte wieder zu montieren.

Anmerkungen bezüglich der Abdeckung der internen Baugruppe:



- J:** 4 "Schraubgewinde", um die Schaltplatten anzuschrauben (**C oder D**).
- K:** 2 Schrauben, um die interne Baugruppe in Position zu halten (nicht abschrauben).
- L:** Button, der automatisch den Typ der benutzten Schaltplatte (**C oder D**) erkennt. Ist **automatisch** gedrückt wenn die "Sequenzielle (+/-)" Schaltplatte montiert ist. Halten Sie diesen Bereich sauber, um jedwede Erkennungsprobleme zu vermeiden.
- M:** Führungsnut zur leichteren Positionierung der Schaltplatte.

ANPASSEN DES SCHALTUNGSWIDERSTANDS

- * Nur bei der "H-Schaltung (7+1)" Schaltplatte anwendbar.
- * Bevor Sie irgendwelche Anpassungen vornehmen, **muß** die "H-Schaltung (7+1)" Schaltplatte in ihrer Originalposition montiert worden sein. (Siehe Diagramm unten).



1. Nutzen Sie einen großen Schlitzschraubendreher und plazieren diesen im Schlitz am Kopf der internen Spannschraube (**G**), die sich unten links am Gehäuse der Gangschaltung befindet.
2. Um den Widerstand leicht zu erhöhen: Drehen Sie die Schraube im Uhrzeigersinn.
3. Um den Widerstand leicht zu mindern: Drehen Sie die Schraube entgegen des Uhrzeigersinns.

VERSTÄRKEN DES WIDERSTANDS	MINDERN DES WIDERSTANDS

2 volle Umdrehungen reichen aus, um von einem in das andere Extrem zu gelangen.



Um eine Beschädigung des Systems zu verhindern:

- Hören Sie mit dem Festschrauben der Schraube auf wenn Sie einen starken Widerstand bemerken.
- Hören Sie mit dem Lösen der Schraube auf wenn diese locker und wackelig ist.

INSTALLATIONSANWEISUNGEN FÜR SPIELKONSOLEN

PLAYSTATION®3

= Bei allen Spielen für PS3™: Schließen(*) Sie die TH8A Gangschaltung direkt an einen der PS3™ USB-Ports an (und NICHT an die Thrustmaster-Rennlenkerbasis).

- Verbinden Sie den DIN-Stecker der TH8A Gangschaltung mit dem DIN/USB Kabel.
- Schließen Sie die TH8A Gangschaltung an einen der USB-Ports Ihrer PS3™ an.
- Starten Sie das Spiel.

Die TH8A Gangschaltung kann dann sowohl mit der H-SCHALTUNG (7+1) als auch der SEQUENZIELLEN (+/-) Schaltplatte benutzt werden.

(*) Wichtige Empfehlungen für das PS3™-System (nur anwendbar bei Verwendung eines Thrustmaster-Lenkrads mit einem eingebauten Gangschaltungs-Anschluss)

- Wenn Sie die SEQUENZIELLE (+/-) Schaltplatte der TH8A Gangschaltung nutzen, können Sie die Gangschaltung mittels des abnehmbaren DIN/DIN Kabels hinten am Rennlenker anschließen. Die TH8A Gangschaltung ist nun an die UP (= R1) und DOWN (= L1) Schalterknöpfe angeschlossen. Mit diesem Rennlenker funktioniert die SEQUENZIELLE (+/-) Schaltplatte der TH8A Gangschaltung mit 100% der Rennspiele für PS3™, die mit dem Rennlenker kompatibel sind.

- Einige Spiele ermöglichen Ihnen die gleichzeitige Nutzung von zwei TH8A Gangschaltungen:
Eine TH8A Gangschaltung mit einer H-SCHALTUNG Schaltplatte (7+1), die an einen USB-Port der PS3™ angeschlossen wird

- + Eine TH8A Gangschaltung mit einer SEQUENZIELLEN Schaltplatte (+/-), die hinten an den Rennlenker angeschlossen wird.

* Eine Liste der kompatiblen Spiele für PS3™, die auch mit der TH8A Gangschaltung kompatibel sind, finden Sie hier:

<http://support.thrustmaster.com> (klicken Sie auf Lenkräder / TH8A Shifter und wählen dann Spiele-Einstellungen). Diese Liste wird regelmäßig aktualisiert.

* Wir empfehlen bei PS3™ Systemen, daß Sie keinen USB-Hub zum Anschluss des Rennlenkers oder der TH8A Gangschaltung an die Spielkonsole benutzen. Schließen Sie die Geräte direkt an die USB-Ports der PS3™ an.

* Einige Spiele erfordern, daß Sie die neusten verfügbaren Aktualisierungen für die TH8A Gangschaltung installieren, damit diese ordnungsgemäß funktioniert (Ihre Spielkonsole muß mit dem Internet verbunden sein).

Je nach PS4™-Spiel oder dem benutzten Rennlenker:

= Schließen(*) Sie die TH8A Gangschaltung direkt an den PS4™ USB-Port an

- Verbinden Sie den DIN-Stecker der TH8A Gangschaltung mit dem DIN/USB Kabel.
- Schließen Sie die TH8A Gangschaltung an einen der USB-Ports Ihrer PS4™ an.
- Starten Sie das Spiel.

Die TH8A Gangschaltung kann dann sowohl mit der H-SCHALTUNG (7+1) als auch der SEQUENZIELLEN (+/-) Schaltplatte benutzt werden.

Oder

= Schließen (*) Sie die TH8A Gangschaltung direkt an die Thrustmaster-Rennlenkerbasis an (nur anwendbar bei Verwendung eines Thrustmaster-Lenkrads mit einem eingebauten Gangschaltungs-Anschluss)

- Verbinden Sie den DIN-Stecker der TH8A Gangschaltung mit dem abnehmbaren DIN/DIN Kabel.
- Schließen Sie die TH8A Gangschaltung an die Gangschaltungsbuchse hinten an der Rennlenkerbasis an.
- Schließen Sie Ihren Rennlenker an und starten das Spiel.

Die TH8A Gangschaltung funktioniert dann sowohl mit der H-SCHALTUNG (7+1) als auch der SEQUENZIELLEN (+/-) Schaltplatte.

(*) **Wichtige Empfehlungen für das PS4™ System** (nur anwendbar bei Verwendung eines Thrustmaster-Lenkrads mit einem eingebauten Gangschaltungs-Anschluss)

- Wenn Sie die SEQUENZIELLE (+/-) Schaltplatte der TH8A Gangschaltung nutzen, können Sie die Gangschaltung mittels des abnehmbaren DIN/DIN Kabels hinten am Rennlenker anschließen. Die TH8A Gangschaltung ist nun an die UP (= R1) und DOWN (= L1) Schalterknöpfe angeschlossen. Mit diesem Rennlenker funktioniert die SEQUENZIELLE (+/-) Schaltplatte der TH8A Gangschaltung mit 100% der Rennspiele für PS4™, die mit dem Rennlenker kompatibel sind.

- Einige Spiele ermöglichen Ihnen die gleichzeitige Nutzung von zwei TH8A Gangschaltungen: Eine TH8A Gangschaltung mit einer H-SCHALTUNG Schaltplatte (7+1), die an einen USB-Port der PS4™ angeschlossen wird

- + Eine TH8A Gangschaltung mit einer SEQUENZIELLEN Schaltplatte (+/-), die hinten an den Rennlenker angeschlossen wird.

* Eine Liste der kompatiblen Spiele für PS4™, die auch mit der TH8A Gangschaltung kompatibel sind, finden Sie hier:

<http://support.thrustmaster.com> (klicken Sie auf Lenkräder / TH8A Shifter und wählen dann Spiele-Einstellungen). Diese Liste wird regelmäßig aktualisiert.

* Wir empfehlen bei PS4™ Systemen, daß Sie keinen USB-Hub zum Anschluss des Rennlenkers oder der TH8A Gangschaltung an die Spielkonsole benutzen. Schließen Sie die Geräte direkt an die USB-Ports der PS3™ an.

* Einige Spiele erfordern, daß Sie die neusten verfügbaren Aktualisierungen für die TH8A Gangschaltung installieren, damit diese ordnungsgemäß funktioniert (Ihre Spielkonsole muß mit dem Internet verbunden sein).

XBOX ONE

= Bei allen Xbox One Spielen: Schließen Sie die TH8A Gangschaltung immer direkt an die Thrustmaster-Rennlenkerbasis an (NIEMALS an den USB-Port der Spielkonsole).

- Verbinden Sie den **DIN**-Stecker der TH8A Gangschaltung mit dem **abnehmbaren DIN/DIN Kabel**.
- Schließen Sie die TH8A Gangschaltung an die Gangschaltungsbuchse hinten an der Rennlenkerbasis an.
- Schließen Sie Ihren Rennlenker an und starten das Spiel.

Die TH8A Gangschaltung funktioniert dann sowohl mit der H-SCHALTUNG (7+1) als auch der SEQUENZIELLEN (+/-) Schaltplatte.

Wichtige Empfehlungen für die Xbox One:

Wenn Sie die SEQUENZIELLE (+/-) Schaltplatte der TH8A Gangschaltung nutzen, ist die Gangschaltung nun an die UP (= RB) und DOWN (= LB) Schaltwippen angeschlossen.

Wenn Sie die SEQUENZIELLE Schaltplatte (+/-) der TH8A Gangschaltung nutzen, funktioniert die Gangschaltung mit 100% der Rennspiele für Xbox One, die mit dem Thrustmaster-Rennlenker für Xbox One kompatibel sind.

* Eine Liste der kompatiblen Spiele für Xbox™, die auch mit der TH8A Gangschaltung kompatibel sind, finden Sie hier:

<http://support.thrustmaster.com> (klicken Sie auf Lenkräder / TH8A Shifter und wählen dann Spiele-Einstellungen). Diese Liste wird regelmäßig aktualisiert.

* Einige Spiele erfordern, daß Sie die neusten verfügbaren Aktualisierungen für die TH8A Gangschaltung installieren, damit diese ordnungsgemäß funktioniert (Ihre Spielkonsole muß mit dem Internet verbunden sein).



Um die Kompatibilität Ihres Thrustmaster Rennlenkers für die Xbox One mit der TH8A Gangschaltung zu gewährleisten, kann es erforderlich sein, die Firmware des Rennlenkers mit der neuesten verfügbaren Version für PC hier zu aktualisieren: <http://support.thrustmaster.com> (klicken Sie auf Lenkräder / TH8A Shifter und wählen dann Firmware).

INSTALLATIONSANWEISUNGEN FÜR PC

= Bei allen PC-Spielen (*): Schließen Sie TH8A Gangschaltung immer direkt an einen der USB-Ports des PCs an.

- Verbinden Sie den DIN-Stecker der TH8A Gangschaltung mit dem DIN/USB Kabel.
- Schließen Sie die TH8A Gangschaltung an einen der USB-Ports Ihres PCs an.
- Beim Anschluss an einen PC wird die TH8A Gangschaltung als Plug&Play Gerät automatisch erkannt und installiert.
- Das Gerät wird dann als 'T500 RS Gear Shift' in der Windows® Systemsteuerung aufgeführt.
- Klicken Sie bitte auf Eigenschaften, um die Merkmale des Gerätes zu testen und zu betrachten.
- Starten Sie das Spiel.

Sie können nun Ihr Rennen beginnen!

(*)**Wichtige Empfehlungen für PCs** (nur anwendbar bei Verwendung eines Thrustmaster-Lenkrads mit einem eingebauten Gangschaltungs-Anschluss)

- Wenn Sie die SEQUENZIELLE (+/-) Schaltplatte der TH8A Gangschaltung nutzen, können Sie die Gangschaltung mittels des abnehmbaren DIN/DIN Kabels hinten am Rennlenker anschließen. Die TH8A Gangschaltung ist nun an die UP (= 2) und DOWN (= 1) Schaltwippen angeschlossen. Mit diesem Rennlenker funktioniert die SEQUENZIELLE (+/-) Schaltplatte der TH8A Gangschaltung mit 100% der Rennspiele für PC, die mit dem Rennlenker kompatibel sind.

- - Einige Spiele ermöglichen Ihnen die **gleichzeitige Nutzung von zwei TH8A Gangschaltungen**: Eine TH8A Gangschaltung mit einer H-SCHALTUNG Schaltplatte (7+1), die an einen USB-Port des PCs angeschlossen wird

- + Eine TH8A Gangschaltung mit einer SEQUENZIELLEN Schaltplatte (+/-), die hinten an den Rennlenker angeschlossen wird.

* Auf dem PC ist die Thrustmaster-Gangschaltung kompatibel mit:

- Allen Spielen, die MULTI-USB und Gangschaltungen unterstützen.
- Allen Lenkern auf dem Markt.

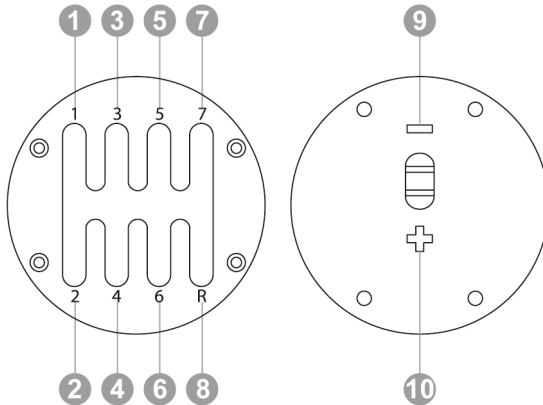
* Wir empfehlen, daß Sie den Rennlenker und auch die TH8A Gangschaltung direkt an die USB 2.0 Ports (nicht USB 3.0) Ihres PCs anschließen. Bitte nutzen Sie keinen zwischengeschalteten Hub.

* Bei einigen PC-Spielen müssen Sie die neusten Spielaktualisierungen herunterladen und installieren, um eine ordnungsgemäße Funktion der TH8A Gangschaltung zu gewährleisten.

* Bei einigen PC-Spielen (um Konflikte zwischen Lenker und Gangschaltung zu vermeiden) kann es nötig sein:

- Nichts auf die Gangschaltungshebel des Lenkers zu mappen.
- Die Funktion "Halte Button zum Schalten" zu aktivieren.

MAPPING AUF PC



SOFTWARE PAKET

Ein "Softwarepaket" ist hier erhältlich: <http://support.thrustmaster.com> (klicken Sie auf Lenkräder / TH8A Shifter und wählen dann Treiber).

- Nach der Installation des Softwarepaketes sind Sie in der Lage:
 - * Die Firmware-Version Ihrer Gangschaltung zu überprüfen.
 - * Die Firmware mit der neusten Version zu aktualisieren (falls nötig).
 - * Die "BOOTLOADER"-Methode zu nutzen (um Ihre Gangschaltung nach einem Verlust der Firmware wiederherzustellen).
 - * Auf ein angepasstes Steuer Menü (Gamecontroller) auf dem PC zuzugreifen.
 - * Den ANALOGEN Modus (Handbremse) auf dem PC zu genießen.

ERWEITERTE KALIBRIERUNGSSOFTWARE

Die TH8A Gangschaltungskalibrierung wird automatisch ausgeführt.

Eine erweiterte Kalibrierungssoftware für PC ist ebenfalls hier erhältlich: <http://support.thrustmaster.com> (klicken Sie auf Lenkräder / TH8A Shifter und wählen dann Software). Diese ermöglicht Ihnen den Hub des Gangschalters nach Ihrem Gusto einzustellen.

Wenn alle Einstellungen vorgenommen wurden, sind diese sofort im internen Speicher der Gangschaltung abgespeichert und können auf PS3™, PS4™, Xbox One und PC genutzt werden.

ZUSAMMENFASSENDE ANWEISUNGEN ZUM ANSCHLUSS DER TH8A GANGSCHALTUNG AN VERSCHIEDENE SYSTEME

ENGLISH

FRANÇAIS

DEUTSCH

NEDERLANDS

ITALIANO

ESPAÑOL

PORTUGUÊS

РУССКИЙ

ЕАЛННКА

TÜRKÇE

POLSKI

Anschluss der TH8A Gangschaltung	
PS3™	Immer (*) direkt an die PS3™ (USB)
PS4™	<u>Ja nach Spiel oder Rennlenker (*)</u> : - Entweder direkt an das PS4™ System (USB) - Oder hinten am Rennlenker (DIN)
XBOX ONE	Immer hinten am Rennlenker (DIN)
PC	Immer (*) direkt an den PC (USB)

(*) Für weitere Informationen über Ausnahmen lesen Sie bitte in den Abschnitten über **Wichtige Empfehlungen** in den relevanten Abschnitten des Handbuchs nach.

WARNUNG

* Schließen Sie niemals die TH8A Gangschaltung direkt an ein anderes Gerät als einen Thrustmaster Rennlenker an, auch wenn das Gerät über einen identischen DIN-Stecker verfügt. Dies könnte die TH8A Gangschaltung oder das andere Gerät beschädigen.

FEHLERBESEITIGUNG

* Meine Gangschaltung funktioniert nicht richtig oder ist falsch kalibriert:

- Schalten Sie Ihren Computer oder Ihre Konsole aus, trennen Ihre Gangschaltung und stecken diese wieder ein, schalten den PC/die Konsole wieder ein und starten Ihr Spiel erneut.
- Unter "Optionen/Controller" in Ihrem Spiel wählen oder richten Sie die geeignetste Konfiguration ein.
- Lesen Sie im Handbuch Ihres Spiels oder in der Online-Hilfe für weitere Information nach.

- Verschiedene Hilfethemen und Tips (nicht in diesem Handbuch enthalten), Liste der kompatiblen Spiele finden Sie auf der <http://support.thrustmaster.com> Website. Klicken Sie auf Lenkräder / TH8A Shifter.

- Auf der Xbox One: Um die Kompatibilität Ihres Thrustmaster Rennlenkers für die Xbox One mit der TH8A Gangschaltung zu gewährleisten, kann es erforderlich sein, die Firmware des Rennlenkers mit der neuesten verfügbaren Version für PC hier zu aktualisieren: <http://support.thrustmaster.com> (klicken Sie auf Lenkräder / TH8A Shifter und wählen dann Firmware).

Kunden-Garantie-Information

Guillemot Corporation S.A. mit Hauptfirmensitz in Place du Granier, B.P. 97143, 35571 Chantepie, France (fortfolgend "Guillemot") garantiert Kunden weltweit, daß dieses Thrustmaster Produkt frei von Mängeln in Material und Verarbeitung für eine Gewährleistungsfrist ist, die mit der Frist für eine Mängelrüge bezüglich des Produktes übereinstimmt. In den Ländern der Europäischen Union entspricht diese einem Zeitraum von zwei (2) Jahren ab Kaufdatum des Thrustmaster Produktes. In anderen Ländern entspricht die Gewährleistungsfrist der zeitlichen Begrenzung für eine Mängelrüge bezüglich des Thrustmaster Produktes in Übereinstimmung mit anwendbarem Recht des Landes, in dem der Kunde zum Zeitpunkt des Erwerbs eines Thrustmaster Produktes wohnhaft ist. Sollte eine entsprechende Regelung in dem entsprechenden Land nicht existieren, umfasst die Gewährleistungspflicht einen Zeitraum von einem (1) Jahr ab dem originären Kaufdatum des Thrustmaster Produktes.

Sollten bei dem Produkt innerhalb der Gewährleistungsfrist Defekte auftreten, kontaktieren Sie unverzüglich den technischen Kundendienst, der die weitere Vorgehensweise anzeigt. Wurde der Defekt bestätigt, muß das Produkt an die Verkaufsstelle (oder an eine andere Stelle, je nach Maßgabe des technischen Kundendienstes) retourniert werden.

Im Rahmen dieser Garantie sollte das defekte Produkt des Kunden, je nach Entscheidung des technischen Kundendienstes, entweder ausgetauscht oder repariert werden. Sollte während der Garantiezeit das Thrustmaster Produkt einer derartigen Instandsetzung unterliegen und das Produkt während eines Zeitraums von mindestens sieben (7) Tagen nicht benutzbar sein, wird diese Zeit der restlichen Garantiezeit hinzugefügt. Diese Frist läuft ab dem Zeitpunkt, an dem der Wunsch des Verbrauchers bezüglich einer Intervention vorliegt oder ab dem Tag, an dem das fragliche Produkt zur Instandsetzung zur Verfügung steht, falls das Datum, an dem das Produkt zur Instandsetzung zur Verfügung steht, dem Datum des Antrags auf Intervention nachfolgt. Wenn nach geltendem Recht zulässig, beschränkt sich die volle Haftung von Guillemot und ihrer Tochtergesellschaften auf die Reparatur oder den Austausch des Thrustmaster Produktes (inklusive Folgeschäden). Wenn nach geltendem Recht zulässig, lehnt Guillemot alle Gewährleistungen der Marktgängigkeit oder Eignung für einen bestimmten Zweck ab.

Der Gewährleistungsanspruch verfällt: (1) Falls das Produkt modifiziert, geöffnet, verändert oder ein Schaden durch unsachgemäßen oder missbräuchlichen Gebrauch hervorgerufen wurde, sowie durch Fahrlässigkeit, einen Unfall, Verschleiß oder irgendeinem anderen Grund – aber nicht durch Material- oder Herstellungsfehler (einschließlich, aber nicht beschränkt auf, die Kombination der Thrustmaster Produkte mit ungeeigneten Elementen, insbesondere Netzteile, Akkus, Ladegeräte, oder andere Elemente, die von Guillemot für dieses Produkt nicht mitgeliefert wurden); (2) Falls das Produkt für eine andere Nutzung als zum privaten Hausgebrauch, einschließlich für professionelle oder kommerzielle Zwecke (z. B. Spielhallen, Training, Wettkämpfe) verwendet wird; (3) Im Falle der Nichteinhaltung der durch den technischen Support erteilten Anweisungen; (4) Durch Software. Die besagte Software ist Gegenstand einer speziellen Garantie; (5) Bei Verbrauchsmaterialien (Elemente, die während der Produktlebensdauer ausgetauscht werden, wie z. B. Einwegbatterien, Ohrpolster für ein Audioheadset oder für Kopfhörer); (6) Bei Accessoires (z. B. Kabel, Etuis, Taschen, Beutel, Handgelenk-Riemen); (7) Falls das Produkt in einer öffentlichen Versteigerung verkauft wurde. Diese Garantie ist nicht übertragbar.

Die Rechte des Kunden in Übereinstimmung mit anwendbarem Recht bezüglich des Verkaufs auf Konsumgüter im Land der/der Kunden/Kundin wird durch diese Garantie nicht beeinträchtigt.

Zusätzliche Gewährleistungsbestimmungen

Während der Garantiezeit bietet Guillemot grundsätzlich keine Ersatzteile an, da der technische Kundendienst der einzige autorisierte Partner zum Öffnen und/oder Instandsetzen jedweden Thrustmaster-Produkts ist (mit Ausnahme von irgendwelchen Instandsetzungsverfahren, die der Kunde nach Maßgabe des technischen Kundendienstes und durch schriftliche Instruktionen sowie der Zurverfügungstellung des/der eventuell erforderlichen Ersatzteil(s)(e) selbst in der Lage ist durchzuführen – zum Beispiel aufgrund der Einfachheit und einer nicht erforderlichen Geheimhaltung des Instandsetzungsverfahrens).

Aufgrund seiner Innovationszyklen und um sein Know-how und seine Geschäftsgeheimnisse zu schützen, bietet Guillemot grundsätzlich keine Instandsetzungs-Benachrichtigung oder Ersatzteile für alle Thrustmaster Produkte an, deren Garantiezeit abgelaufen ist.

Haftung

Wenn nach dem anwendbaren Recht zulässig, lehnen Guillemot Corporation S.A. (fortfolgend "Guillemot") und ihre Tochtergesellschaften jegliche Haftung für Schäden, die auf eine oder mehrere der folgenden Ursachen zurückzuführen sind, ab: (1) das Produkt wurde modifiziert, geöffnet oder geändert; (2) Nichtbefolgung der Montageanleitung; (3) unangebrachte Nutzung, Fahrlässigkeit, Unfall (z. B. ein Aufprall); (4) normalem Verschleiß; (5) Die Verwendung des Produkts für jedwede andere Nutzung als zum privaten Hausgebrauch, einschließlich professionelle oder kommerzielle Zwecke (z. B. Spielhallen, Training, Wettkämpfe). Wenn nach anwendbarem Recht zulässig, lehnen Guillemot und seine Niederlassungen jegliche Haftung für Schäden, die nicht auf einen Material- oder Herstellungsfehler in Bezug auf das Produkt beruhen (einschließlich, aber nicht beschränkt auf, etwaige Schäden, die direkt oder indirekt durch Software oder durch die Kombination der Thrustmaster Produkte mit ungeeigneten Elementen, insbesondere Netzteile, Akkus, Ladegeräte, oder andere Elemente, die von Guillemot für dieses Produkt nicht geliefert wurden), ab.

THRUSTMASTER®

TECHNISCHER SUPPORT

<http://support.thrustmaster.com>



COPYRIGHT

© Guillemot Corporation S.A. 2017. Alle Rechte vorbehalten. Thrustmaster® ist ein eingetragenes Warenzeichen der Guillemot Corporation S.A. Alle anderen Handelsmarken sind im Besitz Ihrer jeweiligen Eigentümer. Illustrationen nicht verbindlich. Inhalte, Design und Spezifikationen können ohne vorherige Ankündigung geändert werden und können von Land zu Land unterschiedlich sein. Hergestellt in China.

Hinweise zum Umweltschutz



In der Europäischen Union: Dieses Produkt darf nach Ende seiner Lebensdauer nicht über den Hausmüll entsorgt werden, sondern muss an einem Sammelpunkt für das Recycling von elektrischen und elektronischen Geräten abgegeben werden.

Das Symbol auf dem Produkt, der Gebrauchsanleitung oder der Verpackung weist darauf hin.

Die Werkstoffe sind gemäß ihrer Kennzeichnung wiederverwertbar. Mit der Wiederverwertung, der stofflichen Verwertung oder anderen Formen von Altgeräten leisten Sie einen wichtigen Beitrag zum Schutz unserer Umwelt. Bitte erfragen Sie bei der Gemeindeverwaltung die zuständige Entsorgungsstelle.

Für alle anderen Länder: Bitte beachten Sie die lokalen Entsorgungsrichtlinien/-Gesetze bezüglich elektrischen und elektronischen Equipments.

Wichtige Informationen. Die Farben und Verzierungen können abweichen.
Plastikhalterungen und Aufkleber bitte vor der Nutzung des Produktes entfernen.

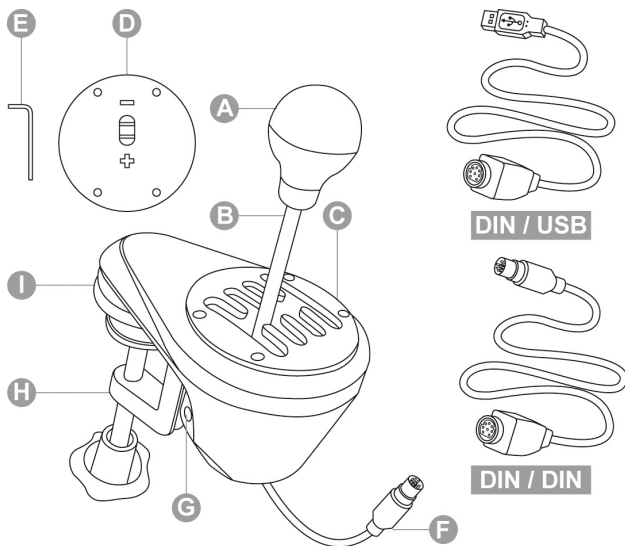
www.thrustmaster.com

Nur in der EU und der Türkei anwendbar



PlayStation®3 - PlayStation®4 - Xbox One - PC

Handleiding



TECHNISCHE KENMERKEN

- A** Afneembare pookknop
(niet geïnstalleerd bij levering)
- B** Versnellingspook
- C** Schakelplaat, "H-patroon (7+1)", verwisselbaar
(geïnstalleerd bij levering)
- D** Schakelplaat, "Sequentieel(+/-)", verwisselbaar
(niet geïnstalleerd bij levering)
- E** 2,5 mm inbussleutel (meegeleverd)
- F** Kabel-en DIN-connector
- G** Aandraaiboutje
- H** Instelbaar klemsysteem
- I** Schroefdraden voor montage in cockpit

DIN / USB Afneembare DIN / USB-kabel
DIN / DIN Afneembare DIN / DIN-kabel

WAARSCHUWING

Lees, voordat u dit product gebruikt, deze handleiding zorgvuldig door. Bewaar deze handleiding om hem eventueel op een later tijdstip te kunnen raadplegen.



Waarschuwing – Elektrische schok

- * Gebruik en bewaar dit product op een droge plek, uit de zon en stofvrij.
- * Let bij het insteken van connectors op de juiste wijze van insteken.
- * Trek nooit te hard aan een kabel of connector en zorg dat er geen knikken in kabels komen.
- * Mors geen vloeistoffen op het product en/of de connectors.
- * Veroorzaak geen kortsluiting.
- * Haal dit product niet uit elkaar (behalve voor eventuele in deze handleiding beschreven aanpassingen), verbrand het niet en stel het niet bloot aan hoge temperaturen.



Waarschuwing – Mogelijk letsel ten gevolge van herhaalde bewegingen

Het gebruik van een versnellingspook bij het gamen kan leiden tot pijn in spieren en/of gewrichten. Om problemen te voorkomen:

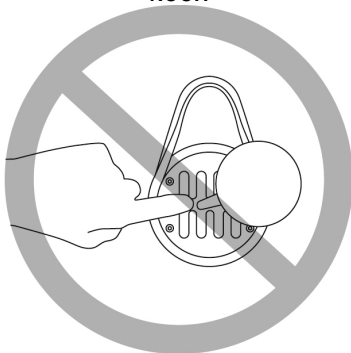
- * Vermijd te lang gamen.
- * Neem na elk uur gamen een pauze van 10 of 15 minuten.
- * Bij last van vermoeidheid of pijn in handen, polsen of armen, moet het gamen worden gestopt en een paar uur worden gerust voordat er weer verder kan worden gespeeld.
- * Als de hierboven beschreven symptomen van pijn of last blijven aanhouden tijdens het gamen, moet het gamen worden gestopt en moet de huisarts worden geraadpleegd.
- * Controleer dat de voet van de versnellingspook goed en correct vastzit zoals beschreven in deze handleiding.



Waarschuwing – Beknellingsgevaar van sleuven in schakelplaten

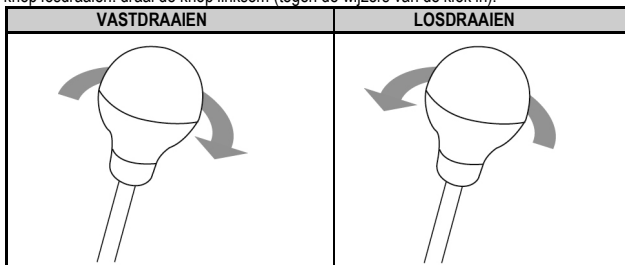
- * Houd de schakelplaten buiten het bereik van kinderen.
- * Steek tijdens het spelen nooit een vinger of een ander lichaamsdeel in de sleuven van de schakelplaten.

NOOIT



DE KNOP VAN DE SCHAKELPOOK BEVESTIGEN

1. De knop van de schakelpook (**A**) op de pook (**B**) bevestigen: draai de knop rechtsom (met de wijzers van de klok mee).
2. De knop losdraaien: draai de knop linksom (tegen de wijzers van de klok in).



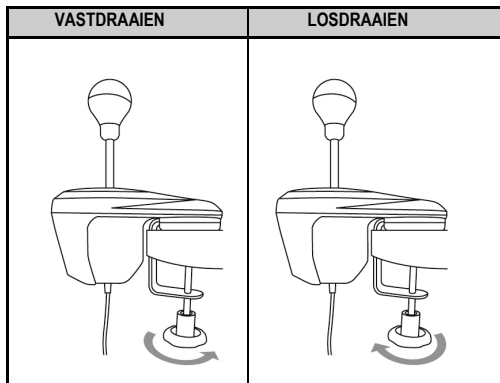
DE VERSNELLINGSPOOK BEVESTIGEN

De pook is zo ontworpen dat hij op diverse manieren kan worden bevestigd:

- **Tafels, bureaus of planken** van 1 tot 55 mm dik, via het klemstelsel (**H**).
- **Cockpits**, via de ingebouwde schroefdraden (het klemstelsel is afneembaar).

De versnellingspook op een tafel of bureaublad bevestigen.

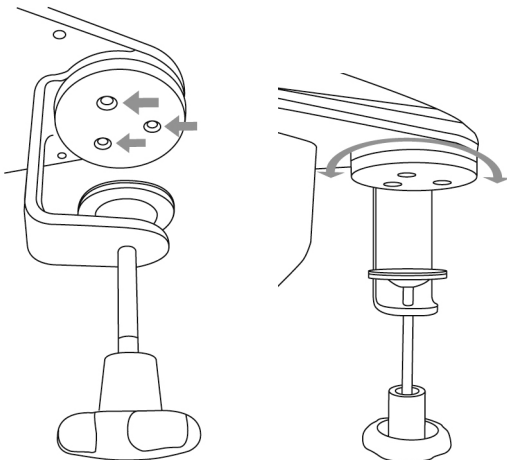
1. Zet de tong van de pook op een tafel of ander vlak oppervlak.
2. Vastdraaien: draai het klemwiel linksom (tegen de wijzers van de klok in).
3. Losdraaien: draai het klemwiel rechtsom (met de wijzers van de klok mee).



Het klemsysteem plaatsen en draaien (kan tot 360° worden verdraaid)

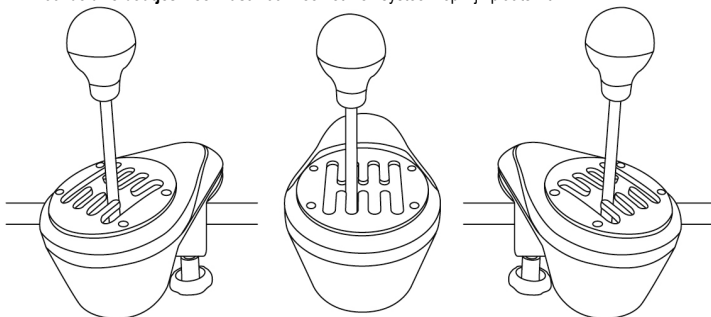
1. Draai met behulp van de meegeleverde 2,5 mm inbusleutel (E) de drie boutjes waarmee het klemsysteem (H) vastzit een beetje los.

Het klemsysteem (en daarmee de hele schakelpook) kan nu met de hand tot 360° worden gedraaid.



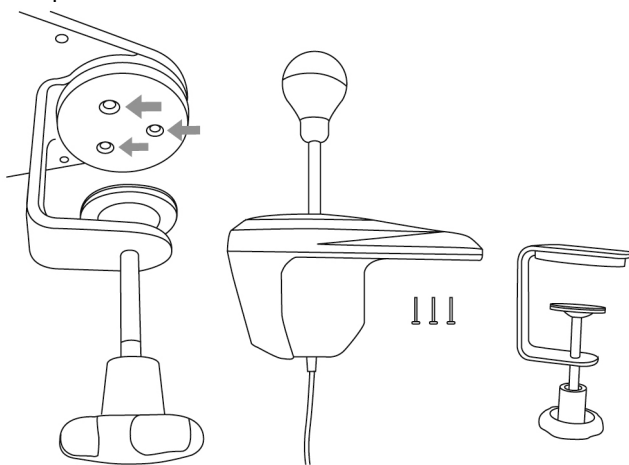
2. Kies de gewenste stand van de pook (hieronder staan drie van de vele mogelijke standen afgebeeld).

Draai de **drie boutjes weer vast** waarmee het klemsysteem op zijn plaats zit.

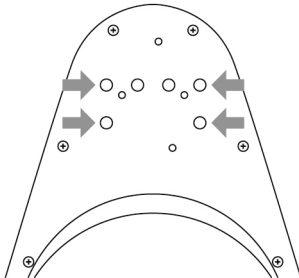


De versnellingspook in een cockpit monteren

1. Draai met behulp van de meegeleverde 2,5 mm inbussleutel (E) de drie boutjes waarmee het klemstelsel (H) vastzit helemaal los en verwijder de boutjes. Maak het klemstelsel los van de pook.



2. Draai twee M6-boutjes (niet meegeleverd) in de cockpitplank en in twee van de vier smalle schroefdraden (I) onder op de tong van de versnellingspook.



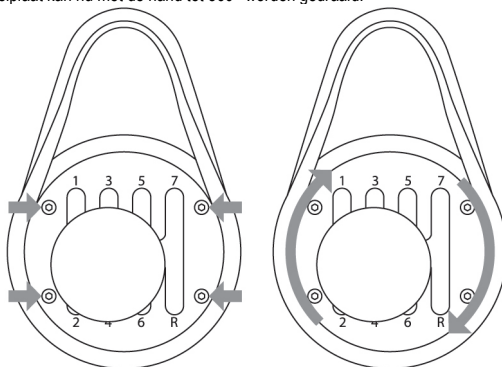
Let op: gebruik geen M6-boutjes die te lang zijn. Deze kunnen de toplaag van de tong van de pook beschadigen.

Een montagesjabloon voor cockpits voor de schakelpook is beschikbaar op <http://support.thrustmaster.com> (klik op Racing Wheels / TH8A Shifter, selecteer Handleiding).

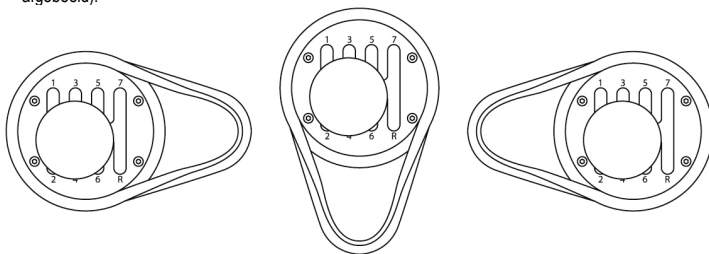
DE VERSNELLINGSPLAATJES PLAATSEN EN DRAAIEN (KUNNEN TOT 360° WORDEN VERDRAAID)

1. Draai met behulp van de meegeleverde 2,5 mm inbussleutel (**E**) de vier boutjes waarmee de schakelplaat (**C of D**) op zijn plaats zit een beetje los.

De schakelplaat kan nu met de hand tot 360° worden gedraaid.



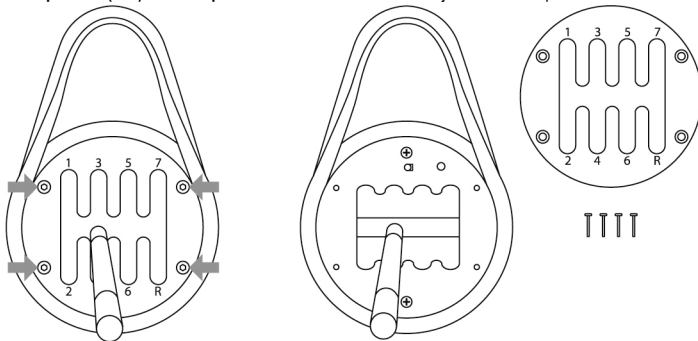
2. Kies de gewenste stand van de pook (hieronder staan drie van de vele mogelijke standen afgebeeld).



3. Draai de vier boutjes weer vast waarmee de schakelplaat op zijn plaats zit.

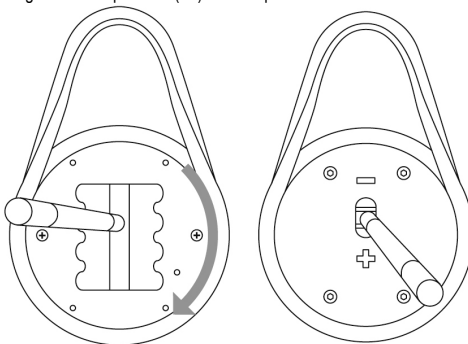
DE “H-PATROON (7+1)” SCHAKELPLAAT VERWISSELEN VOOR DE “SEQUENTIËLE (+/-)” SCHAKELPLAAT

1. Draai de knop van de schakelpook los (tegen de wijzers van de klok in) en verwijder de knop (A).
2. Draai met behulp van de meegeleverde 2,5 mm inbussteutel (E) de vier boutjes waarmee de “H-patroon (7+1)” schakelplaat vastzit helemaal los. Verwijder de schakelplaat.

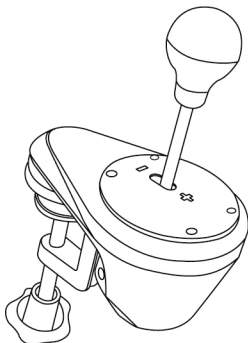


Let op dat er tijdens het losmaken van de plaat geen boutjes in het mechanisme van de pook vallen.

3. Draai het binnenwerk met de hand 90° naar rechts (met de wijzers van de klok mee). Installeer vervolgens de “Sequentiële (+/-)” schakelplaat.

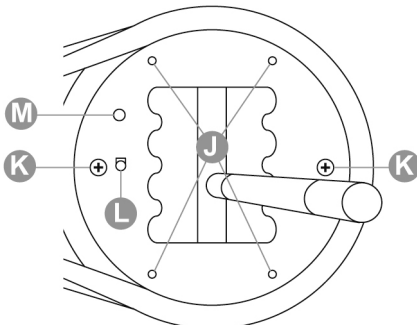


4. Draai met behulp van de meegeleverde 2,5 mm inbussleutel (**E**) de vier boutjes weer goed vast waarmee de “Sequentiële (+/-)” schakelplaat op zijn plaats wordt gehouden. Schroef de knop van de schakelpook weer vast (rechtsom, met de wijzers van de klok mee).



Voer deze procedure in omgekeerde volgorde uit om de “H-patroon (7+1)” schakelplaat te verwisselen.

Opmerkingen over de bovenkant van het binnenwerk:



J: Vier schroefdraden voor het bevestigen van schakelplaat (**C**) of (**D**).

K: Twee boutjes waarmee het binnenwerk vastzit (niet losdraaien).

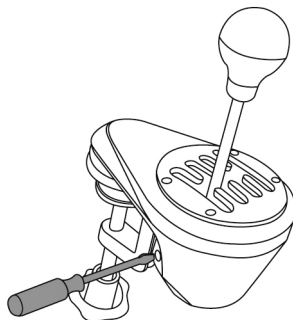
L: Schakelaar die automatisch herkent welke schakelplaat wordt gebruikt ((**C**) of (**D**)). De schakelaar wordt **automatisch** ingedrukt als de “Sequentiële (+/-)” schakelplaat is geïnstalleerd.

Houd de schakelaar schoon om problemen bij het detecteren te voorkomen.

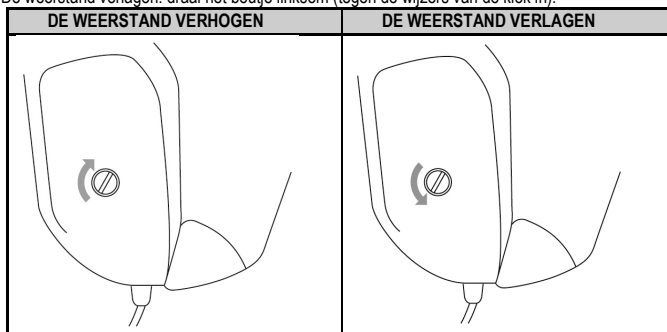
M: Opening voor het gemakkelijker positioneren van de schakelplaten.

DE WEERSTAND VAN HET SCHAKELEN AANPASSEN

- * Is alleen van toepassing op de "H-patroon (7+1)" schakelplaat.
- * Voordat er een aanpassing wordt gemaakt, **moet** de "H-patroon (7+1)" schakelplaat in de originele positie zijn gemonteerd (zie onderstaande afbeelding).



1. Gebruik een grote schroevendraaier voor het verdraaien van het interne aandraiboutje (G) dat zich linksonder in de pookbehuizing bevindt.
2. De weerstand verhogen: draai het boutje rechtsonder (met de wijzers van de klok mee).
3. De weerstand verlagen: draai het boutje linksonder (tegen de wijzers van de klok in).



Het verschil tussen de laagste en de hoogste weerstand is het boutje twee keer volledig rond draaien.



Schade aan het systeem voorkomen:

- Stop met vastdraaien van het boutje als het moeizaam gaat.
- Stop met het losdraaien als het boutje los komt te zitten.

SETUP-INSTRUCTIES VOOR GAMECONSOLES

PLAYSTATION®3

= Sluit (*) zoals bij elke game voor de PS3™ de TH8A Shifter altijd rechtstreeks aan op een van de USB-poorten van de PS3™ en NIET op de voet van het Thrustmaster-racestuur.

- Sluit de DIN-connector van de TH8A Shifter aan op de DIN / USB-kabel.
- Sluit de TH8A Shifter aan op een van de USB-poorten van de PS3™.
- Start de game.

De TH8A Shifter kan gebruikt worden met de H-Patroon (7+1) of de Sequentiële (+/-) schakelplaat.

(*) **Belangrijke aanbevelingen voor het PS3™-systeem** (alleen van toepassing als een Thrustmaster-racestuur met een ingebouwde connector voor een schakelpook wordt gebruikt)

- Bij gebruik van de Sequentiële (+/-) schakelplaat van de TH8A Shifter kunt u de schakelpook ook op de achterzijde van het racestuur aansluiten met de afneembare DIN / DIN-kabel. De TH8A Shifter is dan verbonden met de UP (= R1) en DOWN (= L1) schakelflippers van het racestuur.

Met dit racestuur werkt de Sequentiële (+/-) schakelplaat van de TH8A Shifter met 100% van de PS3™-racegames die compatibel zijn met het racestuur.

- In sommige games is het mogelijk **twee TH8A Shifters tegelijkertijd te gebruiken**:

- Eén TH8A Shifter met H-patroon (7+1) schakelplaat aangesloten op USB-poort van PS3™
- + Eén TH8A Shifter met Sequentiële (+/-) schakelplaat aangesloten op achterzijde van racestuur

* Een overzicht van PS3™-games die compatibel zijn met de TH8A Shifter is te vinden op: <http://support.thrustmaster.com> (klik op Racing Wheels / TH8A Shifter, selecteer Spellen instellingen). Dit overzicht wordt regelmatig bijgewerkt.

* Op PS3™-systemen raden wij u aan geen USB-hub te gebruiken bij het aansluiten van het racestuur of de TH8A Shifter op de gameconsole. Sluit het apparaat altijd rechtstreeks aan op de USB-poorten van de PS3™.

* Voor sommige games is het voor een correct functioneren nodig dat u de meest recente updates voor de TH8A Shifter installeert (uw gameconsole moet verbonden zijn met internet).

Afhankelijk van de PS4™-game of het racestuur dat u gebruikt:

= Sluit (*) de TH8A Shifter rechtstreeks aan op de USB-poort van de PS4™.

- Sluit de DIN-connector van de TH8A Shifter aan op de DIN / USB-kabel.

- Sluit de TH8A Shifter aan op een van de USB-poorten van de PS4™.

- Start de game.

De TH8A Shifter kan vervolgens gebruikt worden met de H-Patroon (7+1) of de Sequentiële (+/-) schakelplaat.

Of

= Sluit (*) de TH8A Shifter rechtstreeks aan op de voet van het Thrustmaster-racestuur.

(alleen van toepassing als het Thrustmaster-racestuur is voorzien van ingebouwde schakelpook-connector)

- Sluit de DIN-connector van de TH8A Shifter aan op de afneembare DIN / DIN-kabel.

- Sluit de TH8A Shifter aan op de connector op de achterkant van de voet van het racestuur.

- Sluit uw racestuur aan en start de game.

De TH8A Shifter kan vervolgens gebruikt worden met de H-Patroon (7+1) of de Sequentiële (+/-) schakelplaat.

(*) Belangrijke aanbevelingen voor het PS4™-systeem (alleen van toepassing als een Thrustmaster-racestuur met een ingebouwde connector voor een schakelpook wordt gebruikt)

- Bij gebruik van de Sequentiële (+/-) schakelplaat van de TH8A Shifter kunt u de schakelpook ook op de achterzijde van het racestuur aansluiten met de afneembare DIN / DIN-kabel. De TH8A Shifter is dan verbonden met de UP (= R1) en DOWN (= L1) schakelflippers van het racestuur.

Met dit racestuur werkt de Sequentiële (+/-) schakelplaat van de TH8A Shifter met 100% van de PS4™-racegames die compatibel zijn met het racestuur.

- In sommige games is het mogelijk **twee TH8A Shifters tegelijkertijd te gebruiken**:

Eén TH8A Shifter met H-patroon (7+1) schakelplaat aangesloten op USB-poort van PS4™

+ Eén TH8A Shifter met Sequentiële (+/-) schakelplaat aangesloten op achterzijde van racestuur

* Een overzicht van games voor de PS4™ die compatibel zijn met de TH8A Shifter en de van toepassing zijnde aansluitinstructies (*) (verschillend per game) zijn beschikbaar op: <http://support.thrustmaster.com> (klik op Racing Wheels / TH8A Shifter, selecteer Spellen instellingen). Dit overzicht wordt regelmatig bijgewerkt.

* Op PS4™-systemen raden wij u aan geen USB-hub te gebruiken bij het aansluiten van het racestuur of de TH8A Shifter. Sluit het apparaat altijd rechtstreeks aan op de USB-poorten van de PS4™.

* Voor sommige games is het voor een correct functioneren nodig dat u de meest recente updates voor de TH8A Shifter installeert (uw gameconsole moet verbonden zijn met internet).

XBOX ONE

= Sluit bij elke Xbox One-game de TH8A Shifter altijd rechtstreeks aan op de voet van het Thrustmaster-racestuur en NOOIT op de USB-poort van de gameconsole.

- Sluit de **DIN**-connector van de TH8A Shifter aan op de afneembare **DIN / DIN**-kabel.
- Sluit de TH8A Shifter aan op de connector op de achterkant van de voet van het racestuur.
- Sluit uw racestuur aan en start de game.

De TH8A Shifter kan vervolgens gebruikt worden met de H-Patroon (7+1) of de Sequentiële (+/-) schakelplaat.

Belangrijke opmerking over de Xbox One:

Bij gebruik van de Sequentiële (+/-) schakelplaat van de TH8A Shifter is de schakelpook verbonden met de UP (= RB) en DOWN (= LB) schakelflippers van het racestuur.

Met dit racestuur werkt de Sequentiële (+/-) schakelplaat van de TH8A Shifter met 100% van de Xbox One-racegames die compatibel zijn met het racestuur.

* Een overzicht van Xbox One-games die compatibel zijn met de TH8A Shifter is te vinden op: <http://support.thrustmaster.com> (klik op Racing Wheels / TH8A Shifter, selecteer Spellen instellingen). Dit overzicht wordt regelmatig bijgewerkt.

* Voor sommige games is het voor een correct functioneren nodig dat u de meest recente updates voor de TH8A Shifter installeert (uw gameconsole moet verbonden zijn met internet).



Om de compatibiliteit van uw Thrustmaster-racestuur voor de Xbox One met de TH8A Shifter te waarborgen, moet u mogelijk de firmware van het racestuur via uw pc bijwerken met de nieuwste versie die te downloaden is op: <http://support.thrustmaster.com> (klik op Racing Wheels / TH8A Shifter, selecteer Firmware).

SETUP-INSTRUCTIES VOOR DE PC

= Sluit bij elke pc-game (*) de TH8A Shifter altijd rechtstreeks aan op een van de USB-poorten van de pc.

- Sluit de DIN-connector van de TH8A Shifter aan op de DIN / USB-kabel.
- Sluit de TH8A Shifter aan op een van de USB-poorten van de pc.
- De TH8A Shifter is een Plug & Play apparaat wanneer het is aangesloten op een pc en wordt automatisch gedetecteerd en geïnstalleerd.
- Het apparaat verschijnt vervolgens als 'T500 RS Gear Shift' in het Configuratiescherm van Windows®.
- Klik op Eigenschappen om de functies van het apparaat te bekijken en te testen.
- Start de game.

Nu kan er geracet worden!

(*) Belangrijke aanbevelingen voor een pc (alleen van toepassing als een Thrustmaster-racestuur met een ingebouwde connector voor een schakelpook wordt gebruikt)

- Bij gebruik van de Sequentiële (+/-) schakelplaat van de TH8A Shifter kunt u de schakelpook ook op de achterzijde van het racestuur aansluiten met de afneembare DIN / DIN-kabel. De TH8A Shifter is dan verbonden met de UP (= 2) en DOWN (= 1) schakelflippers van het racestuur.

Met dit racestuur werkt de Sequentiële (+/-) schakelplaat van de TH8A Shifter met 100% van de pc-racegames die compatibel zijn met het racestuur.

- In sommige games is het mogelijk **twee TH8A Shifters tegelijkertijd te gebruiken**:
 - Eén TH8A Shifter met een H-patroon (7+1) schakelplaat aangesloten op de USB-poort van de pc
 - + Eén TH8A Shifter met een Sequentiële (+/-) schakelplaat aangesloten op de achterzijde van het racestuur

* Op een pc is de *Thrustmaster-schakelpook compatibel met:*

- *alle games die MULTI-USB en schakelpoken ondersteunen.*
- *alle racesturen op de markt.*

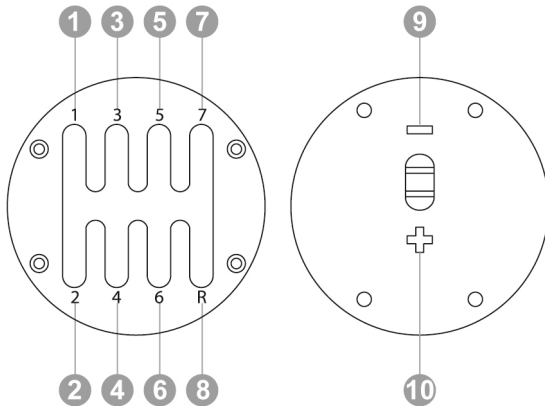
* Wij adviseren het racestuur en de TH8A Shifter rechtstreeks aan te sluiten op een USB 2.0-poort (geen USB 3.0) van de pc en niet via een USB-hub.

* Voor sommige pc-games, **moeten** de meest recente updates worden geïnstalleerd via internet voor een blijvende correcte werking van de TH8A-schakelpook.

* Voor sommige pc-games kan het om conflicten tussen het stuur en de pook te voorkomen, nodig zijn om :

- *niets toe te wijzen aan de schakelflippers van het stuur.*
- *de functie "Hold button for gear" (Knop vasthouden voor versnelling) in te schakelen.*

MAPPING OP DE PC



SOFTWAREBUNDEL

Een "softwarebundel" is te downloaden op: <http://support.thrustmaster.com> (klik op Racing Wheels / TH8A Shifter, selecteer Drivers).

- Functionaliteit van de softwarebundel:

- * controleren van de firmwareversie van de schakelpook.
- * de firmware bijwerken, indien nodig, met de meest recente versie.
- * gebruik van de "BOOTLOADER-methode"
(de werking van de schakelpook herstellen als de firmware niet meer werkt)
- * toegang tot een specifiek Controlepaneel (gamecontroller) op de pc.
- * op de pc genieten van de analoge modus (handrem)

GEAVANCEERDE KALIBRATIESOFTWARE

De kalibratie van het schakelen van de TH8A gebeurt automatisch.

U kunt geavanceerde kalibratiesoftware voor de pc downloaden op: <http://support.thrustmaster.com> (klik op Racing Wheels / TH8A Shifter, selecteer Software). Hiermee stelt u de gewenste slag van de pook in.

De gemaakte instellingen worden onmiddellijk opgeslagen in het interne geheugen van de pook en kunnen op de pc, PS3™, PS4™ en Xbox One worden gebruikt.

SAMENVATTENDE INSTRUCTIES VOOR HET AANSLUITEN VAN DE TH8A SHIFTER OP VERSCHILLENDE SYSTEMEN

ENGLISH

FRANÇAIS

DEUTSCH

NEDERLANDS

ITALIANO

ESPAÑOL

PORTUGUÊS

РУССКИЙ

EAGHИHИKA

TÜRKÇE

POLSKI

De TH8A Shifter aansluiten	
PS3™	Altijd(*) rechtstreeks op de PS3™ (USB)
PS4™	Afhankelijk van de game of het racestuur(*): - Of rechtstreeks op de PS4™ (USB) - Of op de achterkant van het racestuur (DIN)
XBOX ONE	Altijd op de achterkant van het racestuur (DIN)
PC	Altijd(*) rechtstreeks op de pc (USB)

() Raadpleeg voor meer informatie over eventuele uitzonderingen de **Belangrijke aanbevelingen** op de betreffende pagina's van de handleiding.*

WAARSCHUWING

* Sluit de TH8A Shifter nooit rechtstreeks aan op een ander apparaat dan een Thrustmaster-racestuur, zelfs als het apparaat beschikt over een identieke DIN-connector. Dit kan schade veroorzaken aan de TH8A Shifter of het andere apparaat.

VERHELPEN VAN PROBLEMEN

* Mijn schakelpook werkt niet goed of lijkt niet goed gekalibreerd te zijn:

- Zet de computer of console uit, koppel de schakelpook los, sluit de pook opnieuw aan en start de game opnieuw op.
- Ga in de game naar het menu met opties voor de controller en selecteer de beste configuratie, of maak deze aan.
- Raadpleeg de handleiding of de online help van de game voor meer informatie.

- Aanvullende helpinformatie en tips (niet aanwezig in deze handleiding), een overzicht van compatibele games, enz, zijn beschikbaar op de website <http://support.thrustmaster.com>. Klik op Racing Wheels / TH8A Shifter.

- Om op de Xbox One de compatibiliteit van uw Thrustmaster-racestuur voor de Xbox One met de TH8A Shifter te waarborgen, moet u mogelijk de firmware van het racestuur via uw pc bijwerken met de nieuwste versie die te downloaden is op: <http://support.thrustmaster.com> (klik op Racing Wheels / TH8A Shifter, selecteer Firmware).

Informatie met betrekking tot kopersgarantie

Wereldwijd garandeert Guillemot Corporation S.A., het statutair adres gevestigd aan de Place du Granier, B.P. 97143, 35571 Chantepie, Frankrijk, (hierna te noemen "Guillemot") aan de koper dat dit Thrustmaster-product vrij zal zijn van materiaal- en fabricagefouten gedurende een garantieperiode gelijk aan de tijd maximaal vereist om een restitutie/vervanging voor dit product te claimen. In landen van de Europese Unie komt dit overeen met een periode van twee (2) jaar vanaf het moment van levering van het Thrustmaster-product. In andere landen komt de garantieperiode overeen met de tijd maximaal vereist om een restitutie/vervanging voor dit Thrustmaster-product te claimen zoals wettelijk is vastgelegd in het land waarin de koper woonachtig was op de datum van aankoop van het Thrustmaster-product. Indien een dergelijk claimrecht niet wettelijk is vastgelegd in het betreffende land, geldt een garantieperiode van één (1) jaar vanaf datum aankoop van het Thrustmaster-product.

Indien u in de garantieperiode een defect meent te constateren aan dit product, neem dan onmiddellijk contact op met Technical Support die u zal informeren over de te volgen procedure. Als het defect wordt bevestigd, dient het product te worden geretourneerd naar de plaats van aankoop (of een andere locatie die wordt opgegeven door Technical Support).

Binnen het gestelde van deze garantie wordt het defecte product van de koper gerepareerd of vervangen, zulks ter beoordeling van Technical Support. Indien het Thrustmaster-product tijdens de garantieperiode is onderworpen aan een dergelijk herstel, wordt elke periode van ten minste zeven (7) dagen waarin het product niet in gebruik is, opgeteld bij de resterende garantieperiode (deze periode loopt vanaf de datum van verzoek van de consument voor interventie of vanaf de datum waarop het product in kwestie beschikbaar is gesteld voor herstel als de datum waarop het product ter beschikking wordt gesteld voor herstel later is dan de datum van het verzoek om interventie). Indien toegestaan door van toepassing zijnde wetgeving, beperkt de volledige aansprakelijkheid van Guillemot en haar dochterondernemingen (inclusief de aansprakelijkheid voor vervolgschade) zich tot het repareren of vervangen van het Thrustmaster-product. Indien toegestaan door van toepassing zijnde wetgeving, wijst Guillemot elke garantie af met betrekking tot verhandelbaarheid of geschiktheid voor enig doel.

Deze garantie is niet van kracht: (1) indien het product aangepast, geopend of gewijzigd is, of beschadigd is ten gevolge van oneigenlijk of onvoorzichtig gebruik, verwaarlozing, een ongeluk, normale slijtage, of enige andere oorzaak die niet gerelateerd is aan een materiaal- of fabricagefout (inclusief maar niet beperkt tot het combineren van het Thrustmaster-product met enig ongeschikt element waaronder in het bijzonder voedingsadapters, oplaadbare batterijen, opladers of enig ander element niet geleverd door Guillemot voor dit product); (2) als het product is gebruikt voor enig ander doel dan thuisgebruik, zoals maar niet exclusief een professioneel of commercieel doel (bijvoorbeeld game rooms, training, wedstrijden); (3) indien u zich niet houdt aan de instructies zoals verstrekt door Technical Support; (4) op software die onder een specifieke garantie valt; (5) op verbruiksartikelen (elementen die tijdens de levensduur van het product worden vervangen zoals bijvoorbeeld batterijen of pads van een headset of koptelefoon); (6) op accessoires (zoals bijvoorbeeld kabels, behuizingen, hoesjes, etui's, draagtassen of polsbandjes); (7) indien het product werd verkocht op een openbare veiling.

Deze garantie is niet overdraagbaar.

De wettelijke rechten van de koper die in zijn/haar land van toepassing zijn op de verkoop van consumentproducten worden op generlei wijze door deze garantie beperkt.

Aanvullende garantiebepalingen

Gedurende de garantieperiode zal Guillemot in principe nooit reserveonderdelen leveren omdat Technical Support de enige partij is die bevoegd is een Thrustmaster-product te openen en/of te herstellen (met uitzondering van een herstelprocedure die de klant door Technical Support gevraagd wordt uit te voeren met behulp van schriftelijke instructies –omdat deze procedure bijvoorbeeld eenvoudig is en het herstelproces niet vertrouwelijk is –en door het verstrekken aan de consument van de benodigde onderdelen, indien van toepassing).

Gezien de innovatiecycli en om haar knowhow en handelsgeheimen te beschermen, zal Guillemot in principe nooit een herstelbeschrijving of reserveonderdelen verstrekken voor een Thrustmaster-product waarvan de garantieperiode is verstreken.

Aansprakelijkheid

Indien toegestaan door van toepassing zijnde wetgeving, wijzen Guillemot Corporation S.A. (hierna te noemen "Guillemot") en haar dochterondernemingen alle aansprakelijkheid af voor enige schade veroorzaakt door één van de volgende oorzaken: (1) indien het product aangepast, geopend of gewijzigd is; (2) de montage-instructies niet zijn opgevolgd; (3) oneigenlijk of onvoorzichtig gebruik, verwaarlozing, een ongeluk (bijvoorbeeld stoten); (4) normale slijtage; (5) het gebruik van het product voor enig ander doel dan thuisgebruik, zoals maar niet exclusief een professioneel of commercieel doel (bijvoorbeeld game rooms, training, wedstrijden). Indien toegestaan onder van toepassing zijnde wetgeving, wijzen Guillemot en haar dochterondernemingen alle aansprakelijkheid af voor enige schade aan dit product niet gerelateerd aan een materiaal- of fabricagefout (inclusief maar niet beperkt tot enige schade direct of indirect veroorzaakt door enige software, of door het combineren van het Thrustmaster-product met enig ongeschikt element waaronder in het bijzonder voedingsadapters, oplaadbare batterijen, opladers of enig ander element niet geleverd door Guillemot voor dit product).

THRUSTMASTER®

TECHNISCHE ONDERSTEUNING

<http://support.thrustmaster.com>



COPYRIGHT

© 2017 Guillemot Corporation S.A. Alle rechten voorbehouden. Thrustmaster® is een geregistreerd handelsmerk van Guillemot Corporation S.A. Alle andere handelsmerken zijn eigendom van de respectieve eigenaren. Afbeeldingen zijn niet bindend. Inhoud, ontwerp en specificaties kunnen zonder kennisgeving vooraf worden gewijzigd en kunnen per land verschillen. Geproduceerd in China.

AANBEVELINGEN VOOR DE BESCHERMING VAN HET MILIEU



In de Europese Unie: Gooi dit product na het einde van de levensduur niet weg met het normale afval, maar breng het naar het door uw gemeente aangewezen inzamelpunt voor elektrische en/of computerapparatuur.

Ter herinnering is hiertoe op het product, de gebruikshandleiding of de verpakking een symbool aangebracht.

De meeste materialen kunnen gerecycled. Door recycling en andere methoden voor verantwoorde verwerking van afgedankte elektrische en elektronische apparaten kunt u een belangrijke bijdrage leveren aan de bescherming van het milieu.

Neem contact op met uw gemeente voor informatie over een inzamelpunt bij u in de buurt.

In alle andere landen: houd u aan de plaatselijk milieuwetgeving voor elektrische en elektronische apparaten.

Bewaar deze informatie. De kleuren en decoraties kunnen variëren.

Plastic bevestigingen en hechtmaterialen moeten van het product worden verwijderd voordat het wordt gebruikt.

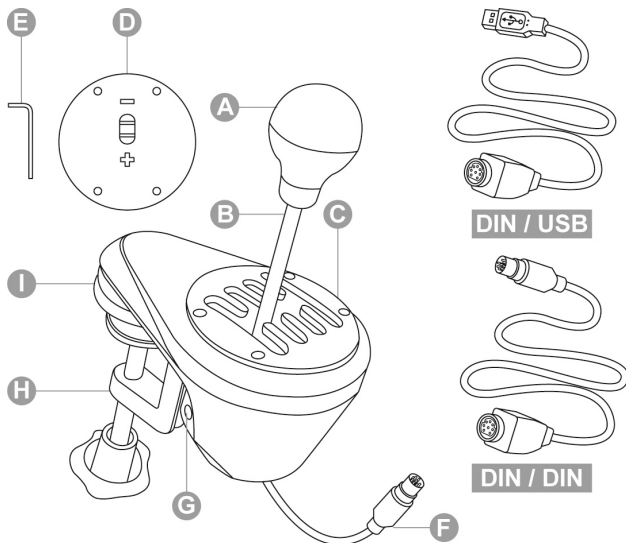
www.thrustmaster.com

**Alleen van toepassing in de EU en Turkije*



PlayStation®3 – PlayStation®4 – Xbox One – PC

Manuale d'uso



CARATTERISTICHE TECNICHE

- A** Pomello del cambio rimovibile
(non preventivamente installato)
 - B** Leva
 - C** Placca metallica del cambio in stile "H (7+1)"
(preventivamente installata)
 - D** Placca metallica del cambio in stile
"Sequenziale (+/-)"
(non preventivamente installato)
 - E** Chiave Allen da 2,5 mm (inclusa)
 - F** Cavo e connettore DIN
 - G** Vite interna di tensionamento
 - H** Sistema di fissaggio a morsa regolabile
 - I** "Fori delle viti" per il fissaggio all'abitacolo
- DIN / USB** Cavo rimovibile DIN / USB
DIN / DIN Cavo rimovibile DIN / DIN

ATTENZIONE

Prima di utilizzare questo prodotto, assicurati di aver letto con attenzione il presente manuale. Conserva questo manuale per una futura consultazione.



Attenzione – Shock elettrico

- * Conserva questo prodotto in un luogo asciutto e non esporlo alla polvere o alla luce del sole.
- * Rispetta la direzione di inserimento dei connettori.
- * Non torcere e non tirare i connettori e i cavi.
- * Non versare liquidi sul prodotto e sui relativi connettori.
- * Non cortocircuitare il prodotto.
- * Non smontare questo prodotto (eccezion fatta per i possibili aggiustamenti descritti nel presente manuale), non cercare di bruciare il prodotto e non esporlo alle alte temperature.



Attenzione – Infortuni causati da movimenti ripetuti

Giocare con un sistema di cambio marcia può causare dolori ai muscoli e alle articolazioni. Per evitare qualsiasi problema:

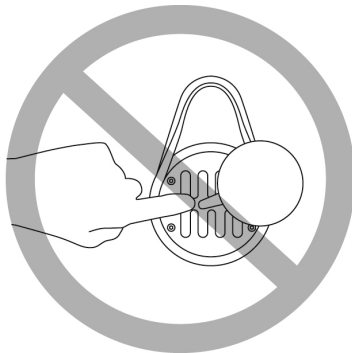
- * Evita di giocare per lunghi periodi di tempo.
- * Fai una pausa di 10 - 15 minuti ogni ora di gioco.
- * Se dovessi provare stanchezza o dolore alle mani, ai polsi o alle braccia, smetti di giocare e riposati per qualche ora prima di ricominciare a giocare.
- * Qualora i sintomi o i dolori descritti in precedenza dovessero ripresentarsi anche dopo aver ricominciato, smetti immediatamente di giocare e consulta il tuo dottore.
- * Verifica che la base o il cambio siano stati fissati correttamente, così come descritto nelle istruzioni riportate nel presente manuale.



Attenzione – Rischio di schiacciamento a causa delle aperture presenti nelle placche del cambio

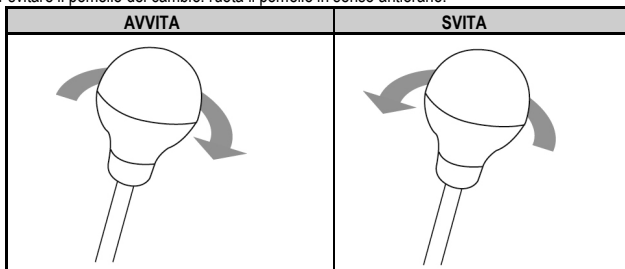
- * Tenere lontano dalla portata dei bambini.
- * Quando giochi, non appoggiare mai le tue dita (o qualsiasi altra parte del corpo) nelle aperture presenti nelle placche del cambio.

MAI



INSTALLAZIONE DEL POMELLO DEL CAMBIO

1. Per avvitare il pomello del cambio (**A**) alla relativa leva (**B**): ruota il pomello del cambio in senso orario.
2. Per svitare il pomello del cambio: ruota il pomello in senso antiorario.



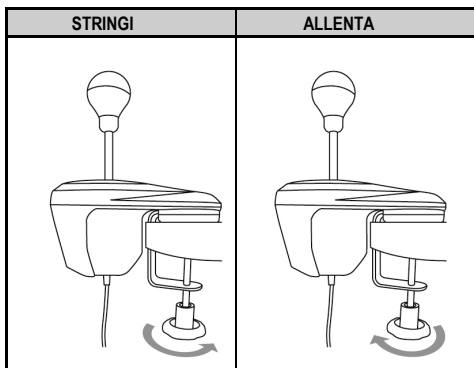
FISSAGGIO DEL SISTEMA DI CAMBIO MARCIA

Il montaggio risulta ottimale con qualsiasi tipo di supporto:

- Tavoli, scrivanie o ripiani da 1 a 55 mm di spessore, tramite il sistema a morsa (**H**).
- Abitacolo, utilizzando i "fori per le viti" integrati (il sistema a morsa è rimovibile).

Fissaggio del sistema di cambio di marcia a un tavolo o a una scrivania

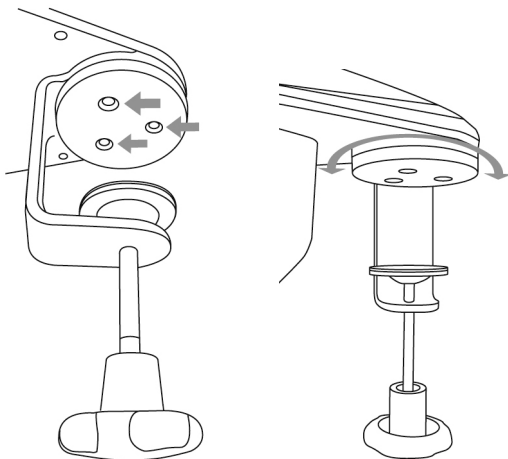
1. Posiziona la punta del cambio su un tavolo o su altra superficie piana.
2. Per stringere: ruota la rotella della morsa in senso antiorario.
3. Per allentare: ruota la rotella della morsa in senso orario.



Posizionamento e rotazione del sistema a morsa (può essere regolato a 360°)

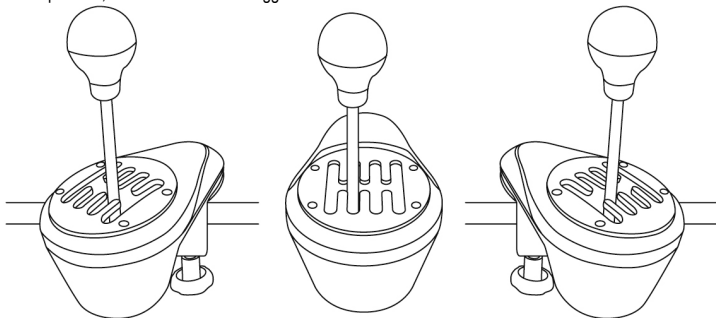
1. Utilizzando l'acclusa chiave Allen da 2,5 mm (**E**), **svita appena** le 3 viti di fissaggio del sistema a morsa (**H**).

Il sistema a morsa (e di conseguenza tutto il cambio) può ora essere ruotato manualmente a 360°.



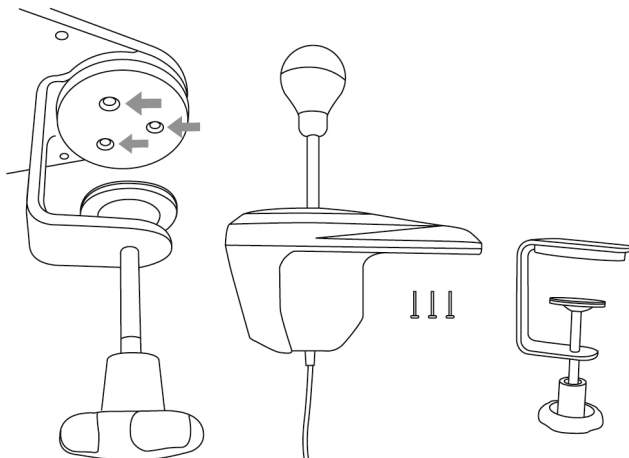
2. Scegli la tua posizione preferita lungo i 360° di rotazione (riportiamo qui sotto 3 diversi esempi, scelti tra le svariate posizioni possibili).

Dopodiché, riavvita le 3 viti di fissaggio del sistema a morsa.

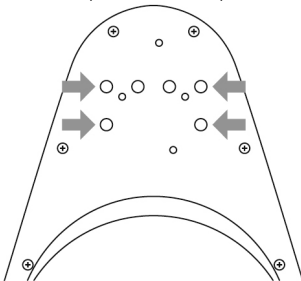


Fissaggio del sistema di cambio marcia ad un abitacolo

1. Utilizzando l'acclusa chiave Allen da 2,5 mm (**E**), **svita completamente e rimuovi** le 3 viti di fissaggio del sistema a morsa (**H**). Rimuovi il sistema a morsa dal cambio.



2. Dopo aver rimosso il sistema a morsa, avvita 2 viti "M6" (non incluse) all'abitacolo e in 2 dei 4 piccoli "fori delle viti" (**I**) presenti nella parte inferiore della punta del cambio.

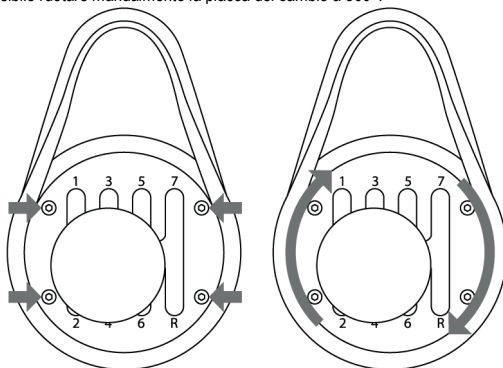


Assicurati di non utilizzare viti "M6" troppo lunghe: potresti forare e danneggiare la parte superiore della punta del cambio.

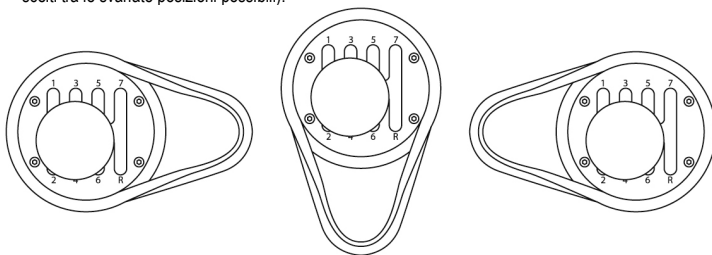
Un modello di fissaggio del cambio a un abitacolo è disponibile sul sito <http://support.thrustmaster.com> (clicca su Volanti / TH8A Shifter, dopodiché seleziona Manuale).

POSIZIONAMENTO E ROTAZIONE DELLE PLACCHE DEL CAMBIO (POSSONO ESSERE REGolate A 360°)

1. Utilizzando l'acclusa chiave Allen da 2,5 mm (**E**), **svita leggermente** le 4 viti di fissaggio della placca metallica del cambio (**C o D**).
È ora possibile ruotare manualmente la placca del cambio a 360°.



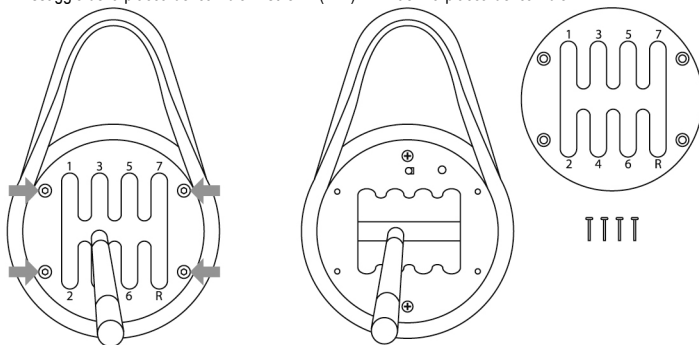
2. Scegli la tua posizione preferita lungo i 360° di rotazione (riportiamo qui sotto 3 diversi esempi, scelti tra le svariate posizioni possibili).



3. Riavvita le 4 viti di fissaggio della placca del cambio.

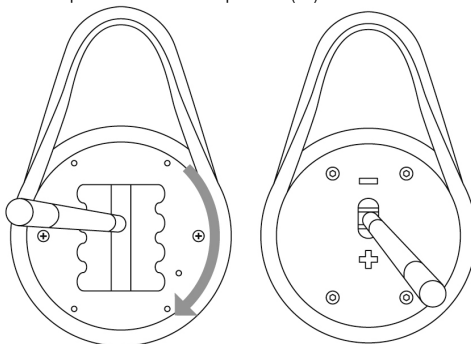
SOSTITUZIONE DELLA PLACCA METALLICA IN STILE “H (7+1)” CON LA PLACCA IN STILE “SEQUENZIALE (+/-)”

1. Svita (in senso antiorario) e rimuovi il pomello del cambio (A).
2. Utilizzando l'acclusa chiave Allen da 2,5 mm (E), svita completamente e rimuovi le 4 viti di fissaggio della placca del cambio in stile “H (7+1)”. Rimuovi la placca del cambio.

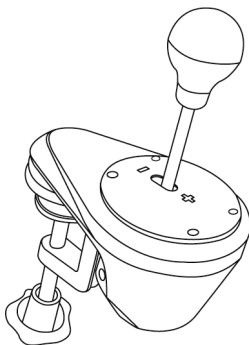


Durante questa procedura, fai attenzione a non lasciar accidentalmente cadere nessuna vite nel meccanismo interno.

3. Ruota manualmente la struttura interna di 90° verso destra (in senso orario). Dopodiché, installa la placca del cambio “Sequenziale (+/-)”.

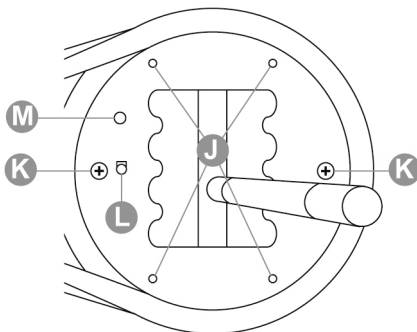


4. Utilizzando l'acclusa chiave Allen da 2,5 mm (**E**), reinserisci e stringi a fondo le 4 viti di bloccaggio della placca del cambio "Sequenziale (+/-)". Riavvita il pomello del cambio (in senso orario).



Per sostituire la placca del cambio ad "H (7+1)" esegui questa procedura al contrario.

Note riguardanti la cover superiore della struttura interna:



J: 4 "fori per le viti" per il fissaggio delle placche del cambio (**C o D**).

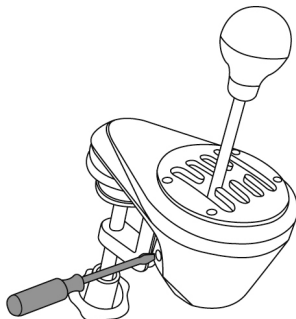
K: 2 viti che bloccano la struttura interna (non svitarle).

L: Pulsante che individua automaticamente il tipo di placca del cambio utilizzata (**C o D**). Viene premuto **automaticamente** quando viene installata la placca del cambio "Sequenziale (+/-)". Per evitare problemi di rilevazione, mantieni sempre pulita quest'area.

M: Slot per un più facile posizionamento delle placche del cambio.

REGOLAZIONE DELLA RESISTENZA DEL CAMBIO

- * Applicabile soltanto alla placca del cambio ad "H (7+1)".
- * Prima di effettuare una qualsiasi regolazione, la placca del cambio ad "H (7+1)" **deve** essere installata nella sua posizione originale (vedi la figura qui sotto).



1. Munendoti di un cacciavite grande con la punta a taglio, infila il cacciavite nella testa della vite interna di tensionamento (G), presente nella parte inferiore sinistra della scatola del cambio.
2. Per aumentare leggermente la resistenza: gira la vite in senso orario.
3. Per ridurre leggermente la resistenza: gira la vite in senso antiorario.

AUMENTARE LA RESISTENZA	RIDURRE LA RESISTENZA

Per passare da un estremo all'altro, sono sufficienti 2 giri completi.



Per evitare di danneggiare il sistema:

- Se avverti una resistenza consistente, non stringere più la vite.
- Se la leva del cambio dovesse diventare molle e traballante, non allentare più la vite.

ISTRUZIONI DI INSTALLAZIONE PER CONSOLE

PLAYSTATION®3

= Con tutti i giochi per PS3™, collega(*) sempre il cambio TH8A direttamente ad una delle porte USB della PS3™ (NON alla base del volante Thrustmaster).

- Collega il connettore **DIN** del cambio TH8A al cavo **DIN / USB**.

- Collega il cambio TH8A a una delle porte USB della tua PS3™.

- Avvia il gioco.

Il cambio TH8A può quindi funzionare sia con la placca ad H (7+1) che con quella SEQUENZIALE (+/-).

(*) Raccomandazioni importanti per il sistema PS3™ (da considerarsi soltanto se si utilizza un volante Thrustmaster dotato di connettore per cambi integrato)

- **Utilizzando la placca SEQUENZIALE (+/-) del cambio TH8A, potrai collegare il cambio anche al retro del volante, tramite il cavo rimovibile DIN / DIN.** Il cambio TH8A verrà quindi collegato alle leve del cambio UP (= R1) e DOWN (= L1) del volante.

Con questo volante, la placca SEQUENZIALE (+/-) del cambio TH8A funzionerà al 100% con i giochi di guida per PS3™ compatibili con il volante.

- Alcuni giochi ti permettono di **utilizzare due cambi TH8A contemporaneamente:**

Un cambio TH8A con placca ad H (7+1), collegato alla porta USB della PS3™

+ un cambio TH8A con placca SEQUENZIALE (+/-), collegato al retro del volante

* Un elenco di giochi per PS3™ compatibili con il cambio TH8A è disponibile qui: <http://support.thrustmaster.com> (clicca su Volanti / TH8A Shifter, dopodiché seleziona Impostazioni giochi). Questo elenco viene aggiornato regolarmente.

* Su sistemi PS3™, per collegare il volante o il cambio TH8A alla console, ti consigliamo di non utilizzare un hub USB: collega la periferica direttamente ad una porta USB della PS3™.

* Per un corretto funzionamento del cambio TH8A, alcuni giochi richiedono l'installazione degli aggiornamenti più recenti (la tua console deve essere collegata a internet).

A seconda del gioco per PS4™ o al volante che stai utilizzando:

= **Collega(*) il cambio TH8A direttamente alla porta USB della PS4™**

- Collega il connettore **DIN** del cambio TH8A al cavo **DIN / USB**.

- Collega il cavo TH8A ad una delle porte USB della tua PS4™.

- Avvia il gioco.

Il cambio TH8A può quindi funzionare sia con la placca ad H (7+1) che con la placca SEQUENZIALE (+/-).

Oppure

= **Collega(*) il cambio TH8A direttamente alla base del volante Thrustmaster**

(da considerarsi soltanto se il tuo volante Thrustmaster è dotato di connettore per cambi integrato)

- Collega il connettore **DIN** del cambio TH8A al **cavo rimuovibile DIN / DIN**.

- Collega il cambio TH8A al connettore per cambi presente sul retro della base del volante.

- Collega il tuo volante, dopodiché avvia il gioco.

Il cambio TH8A può quindi funzionare sia con la placca ad H (7+1) che con quella SEQUENZIALE (+/-).

(*) Raccomandazioni importanti per il sistema PS4™ (da considerarsi soltanto se si utilizza un volante Thrustmaster dotato di connettore per cambi integrato)

- **Utilizzando la placca SEQUENZIALE (+/-) del cambio TH8A, potrai collegare il cambio anche al retro del volante, tramite il cavo rimuovibile DIN / DIN.** Il cambio TH8A verrà quindi collegato alle leve del cambio UP (= R1) e DOWN (= L1) del volante.

Con questo volante, la placca SEQUENZIALE (+ /-) del cambio TH8A funzionerà al 100% con i giochi di guida per PS4™ compatibili con il volante.

- Alcuni giochi ti permettono di **utilizzare due cambi TH8A contemporaneamente:**

Un cambio TH8A con placca ad H (7+1), collegato alla porta USB della PS4™

+ un cambio TH8A con placca SEQUENZIALE (+/-), collegato al retro del volante

* Un elenco di giochi per PS4™ compatibili con il cambio TH8A, con le relative

istruzioni per le connessioni(*) (variabili a seconda del gioco), è disponibile qui:

<http://support.thrustmaster.com> (clicca su Volanti / TH8A Shifter, dopodiché seleziona Impostazioni giochi). Questo elenco viene aggiornato regolarmente.

* Su sistemi PS4™, per collegare il volante o il cambio TH8A alla console, ti consigliamo di non utilizzare un hub USB: collega la periferica direttamente a una porta USB della PS4™.

* Per un corretto funzionamento del cambio TH8A, alcuni giochi richiedono l'installazione degli aggiornamenti più recenti (la tua console deve essere collegata a internet).

XBOX ONE

= Con tutti i giochi per Xbox One, collega sempre il cambio TH8A direttamente alla base del volante Thrustmaster (e MAI alla porta USB della console).

- Collega il connettore **DIN** del cambio TH8A al **cavo rimovibile DIN / DIN**.

- Collega il cambio TH8A al connettore per cambi presente sul retro della base del volante. – Collega il tuo volante, dopodiché avvia il gioco.

Il cambio TH8A può quindi funzionare sia con la placca ad H (7+1) che con quella SEQUENZIALE (+/-).

Nota importante a proposito di Xbox One:

Utilizzando la placca SEQUENZIALE (+/-) del cambio TH8A, il cambio verrà collegato alle leve del cambio UP (= RB) e DOWN (= LB) del volante.

Utilizzando la placca SEQUENZIALE (+ /-) del cambio TH8A, il cambio TH8A funzionerà al 100% con i giochi di guida per Xbox One compatibili con il volante Thrustmaster per Xbox One.

* Un elenco di giochi per Xbox One compatibili con il cambio TH8A è disponibile qui: <http://support.thrustmaster.com> (clicca su Volanti / TH8A Shifter, dopodiché seleziona Impostazioni giochi). Questo elenco viene aggiornato regolarmente.

* Per un corretto funzionamento del cambio TH8A, alcuni giochi richiedono l'installazione degli aggiornamenti più recenti (la tua console deve essere collegata a internet).



Affinché il tuo volante Thrustmaster per Xbox One risulti compatibile con il cambio TH8A, ti potrebbe essere richiesto di aggiornare, via PC, il firmware del volante alla versione più recente, disponibile qui: <http://support.thrustmaster.com> (clicca su Volanti / TH8A Shifter, dopodiché seleziona Firmware).

ISTRUZIONI DI INSTALLAZIONE PER PC

= **Con tutti i giochi per PC(*), collega sempre il cambio TH8A direttamente ad una delle porte USB del PC.**

- Collega il connettore **DIN** del cambio TH8A al cavo **DIN / USB**.
- Collega il cambio TH8A ad una delle porte USB del tuo PC.
- Quando è connesso a un PC, il cambio TH8A è a tutti gli effetti una periferica Plug & Play e viene pertanto riconosciuta e installata automaticamente.
- La periferica compare quindi come 'T500 RS Gear Shift' nel Pannello di Controllo di Windows®.
- Clicca su Proprietà per testare e visualizzare le funzioni della periferica.
- Avvia il gioco.

Ora sei pronto/a per gareggiare!

(*) Raccomandazioni importanti per PC (da considerarsi soltanto se si utilizza un volante Thrustmaster dotato di connettore per cambi integrato)

- **Utilizzando la placca SEQUENZIALE (+/-) del cambio TH8A, potrai collegare il cambio anche al retro del volante, tramite il cavo rimuovibile DIN / DIN.** Il cambio TH8A verrà quindi collegato alle leve del cambio UP (= 2) e DOWN (= 1) del volante.

Con questo volante, la placca SEQUENZIALE (+ /-) del cambio TH8A funzionerà al 100% con i giochi di guida per PC compatibili con il volante.

- Alcuni giochi ti permettono di **utilizzare due cambi TH8A contemporaneamente:**

Un cambio TH8A con placca ad H (7+1), collegato alla porta USB del PC

+ un cambio TH8A con placca SEQUENZIALE (+/-), collegato al retro del volante

* Su PC, il cambio Thrustmaster è compatibile con:

- tutti i giochi che supportano i sistemi di cambio marcia e il MULTI-USB.
- tutti i volanti disponibili sul mercato.

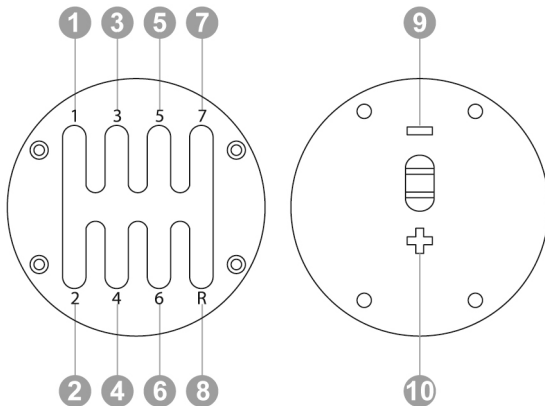
* Ti consigliamo di collegare il tuo volante e il cambio TH8A direttamente alle porte USB 2.0 del tuo PC (e non alle porte USB 3.0), senza utilizzare alcun hub.

* Con alcuni giochi su PC, per far funzionare correttamente il cambio Thrustmaster, **dovrai** installare gli ultimi aggiornamenti disponibili per i giochi in questione.

* Con alcuni giochi su PC (per evitare conflitti tra il volante e il cambio), potrebbe essere necessario:

- non assegnare alcun comando alle leve del cambio montate sul volante.
- attivare la funzione "Tieni premuto per cambiare".

MAPPATURA SU PC



PACCHETTO SOFTWARE

Un "pacchetto software" è disponibile al seguente indirizzo: <http://support.thrustmaster.com>. Clicca su Volanti / TH8A Shifter, dopodiché seleziona Driver.

- Dopo aver installato il pacchetto software, potrai:
 - * controllare la versione del firmware del tuo sistema di cambio marcia.
 - * aggiornare il firmware (se necessario) all'ultima versione disponibile.
 - * utilizzare il "Metodo BOOTLOADER"
(per resettare il tuo sistema di cambio marcia, in caso di perdita del firmware).
 - * accedere a un Pannello di Controllo dedicato (controller di gioco) su PC.
 - * su PC, sfruttare la modalità ANALOGICA (freno a mano)

SOFTWARE DI CALIBRAZIONE AVANZATA

La calibrazione del cambio TH8A avviene automaticamente. Per PC, un software di calibrazione avanzata è disponibile al seguente indirizzo: <http://support.thrustmaster.com> (clicca su Volanti / TH8A Shifter, dopodiché seleziona Software). Ti permetterà di regolare a tuo piacimento la corsa del cambio.

Una volta impostati i parametri, questi vengono immediatamente salvati nella memoria interna del cambio (e possono essere utilizzati su PS3™, PS4™, Xbox One e PC).

RIEPILOGO DELLE ISTRUZIONI PER IL COLLEGAMENTO DEL CAMBIO TH8A AI VARI SISTEMI

ENGLISH

FRANÇAIS

DEUTSCH

NEDERLANDS

ITALIANO

ESPAÑOL

PORTUGUÊS

РУССКИЙ

ЕМАНИКА

TÜRKÇE

POLSKI

Collegare il cambio TH8A	
PS3™	Sempre(*) direttamente alla PS3™ (USB)
PS4™	<u>A seconda del gioco o del volante(*)</u> : - Direttamente al sistema PS4™ (USB) - Oppure al retro del volante (DIN)
XBOX ONE	Sempre al retro del volante (DIN)
PC	Sempre(*) direttamente al PC (USB)

(*) Per ulteriori informazioni sulle varie eccezioni, consulta i paragrafi **Raccomandazioni importanti** nelle relative pagine del manuale.

ATTENZIONE

* Non collegare mai direttamente il cambio TH8A ad una qualunque periferica che non sia un volante Thrustmaster, anche se la periferica dovesse disporre di un identico connettore DIN. Ciò potrebbe danneggiare il cambio TH8A o l'altra periferica.

RISOLUZIONE DEI PROBLEMI

- * Il mio cambio non funziona correttamente o non sembra essere perfettamente calibrato:
- Spegni il tuo computer o la tua console, scollega il tuo sistema di cambio marcia, ricollegalo e riavvia quindi il tuo gioco.
 - Nel tuo gioco, in "Opzioni/Controller", seleziona o imposta la configurazione più appropriata.
 - Per ulteriori informazioni, consulta l'aiuto online o il manuale d'uso del tuo gioco.
- Aiuti e consigli su svariati argomenti (non inclusi nel presente manuale), un elenco dei giochi compatibili, ecc. sono disponibili sul sito web <http://support.thrustmaster.com>. Clicca su Volanti / TH8A Shifter.
- Su Xbox One, affinché il tuo volante Thrustmaster per Xbox One risulti compatibile con il cambio TH8A, ti potrebbe essere richiesto di aggiornare, via PC, il firmware del volante alla versione più recente, disponibile qui: <http://support.thrustmaster.com> (Clicca su Volanti / TH8A Shifter / Firmware).

Informazioni sulla garanzia al consumatore

A livello mondiale, Guillemot Corporation S.A., avente sede legale in Place du Granier, B.P. 97143, 35571 Chantepie, Francia (d'ora in avanti "Guillemot") garantisce al consumatore che il presente prodotto Thrustmaster sarà privo di difetti relativi ai materiali e alla fabbricazione, per un periodo di garanzia corrispondente al limite temporale stabilito per la presentazione di un reclamo riguardante la conformità del prodotto in questione. Nei paesi della Comunità Europea, tale periodo equivale a due (2) anni a partire dalla consegna del prodotto Thrustmaster. In altri paesi, la durata della garanzia corrisponde al limite temporale stabilito per la presentazione di un reclamo riguardante la conformità del prodotto Thrustmaster in base alle leggi applicabili nel paese in cui il consumatore risiedeva alla data di acquisto del prodotto Thrustmaster (qualora nel paese in questione non esistesse alcuna norma a riguardo, il periodo di garanzia corrisponderà a un (1) anno a partire dalla data originale di acquisto del prodotto Thrustmaster).

Qualora, durante il periodo di garanzia, il prodotto dovesse apparire difettoso, contatti immediatamente l'Assistenza Tecnica, che le indicherà la procedura da seguire. Qualora il difetto dovesse essere confermato, il prodotto dovrà essere riportato al luogo di acquisto (o qualsiasi altro luogo indicato dall'Assistenza Tecnica).

Nel contesto della presente garanzia, il prodotto difettoso di proprietà del consumatore potrà essere sostituito o reso nuovamente funzionante, a discrezione dell'Assistenza Tecnica. Se, durante il periodo coperto dalla garanzia, il prodotto Thrustmaster fosse oggetto di tale rimessa in operatività, alla rimanente durata della garanzia dovrà essere aggiunto un periodo di almeno sette (7) giorni, durante il quale il prodotto risulta non utilizzabile (tale periodo intercorre dalla data della richiesta di intervento da parte del consumatore o dalla data in cui il prodotto in questione è reso disponibile per la rimessa in operatività, questo nel caso in cui tale data sia successiva alla data di richiesta di intervento). Qualora le leggi applicabili in materia lo consentano, la totale responsabilità di Guillemot e delle sue controllate (compresi i danni conseguenti) si limita alla rimessa in operatività o alla sostituzione del prodotto Thrustmaster. Qualora le leggi applicabili in materia lo consentano, Guillemot declina ogni garanzia sulla commerciabilità o la conformità a finalità particolari.

La presente garanzia non potrà essere applicata: (1) se il prodotto è stato modificato, aperto, alterato o ha subito danni derivanti da un uso inappropriato o non autorizzato, da negligenza, da un incidente, dalla semplice usura, o da qualsiasi altra causa non riconducibile a difetti nei materiali o nell'assemblaggio (compresi, ma non i soli, prodotti Thrustmaster combinati con elementi inadatti, tra cui, in particolare, batterie ricaricabili, caricatori o qualsiasi altro elemento non fornito da Guillemot per questo prodotto); (2) nel caso in cui il prodotto sia stato utilizzato per qualsiasi altro scopo al di fuori dell'uso domestico, comprese finalità professionali o commerciali (esempio: sale giochi, allenamenti, concorsi); (3) in caso di mancato rispetto delle istruzioni fornite dall'Assistenza Tecnica; (4) in caso di software, ovvero software soggetto a una specifica garanzia; (5) ai materiali di consumo (elementi che richiedono la loro sostituzione al termine della loro durata di esercizio come, ad esempio, batterie di tipo convenzionale o cuscinetti protettivi per auricolari o cuffie); (6) agli accessori (ad esempio, cavi, custodie, borsette, borse, cinturini); (7) se il prodotto è stato venduto ad un'asta pubblica.

La presente garanzia non è trasferibile.

I diritti legali del consumatore, stabiliti dalle leggi vigenti in materia di vendita di beni di consumo nel relativo paese, non vengono intaccati dalla presente garanzia.

Disposizioni addizionali sulla garanzia

Per tutta la durata della garanzia, in linea di principio, Guillemot non fornirà alcuna parte di ricambio, in quanto la sola Assistenza Tecnica è la parte autorizzata ad aprire e/o rimettere in funzionamento tutti i prodotti Thrustmaster (fatta eccezione per eventuali procedure di rimessa in operatività che l'Assistenza Tecnica potrebbe richiedere al consumatore, attraverso istruzioni scritte – viste, ad esempio, la semplicità e la mancanza di riservatezza della procedura di rimessa in operatività – e fornendo al consumatore le necessarie parti di ricambio, se ve ne fosse l'esigenza).

Considerando i propri cicli di innovazione e per proteggere il proprio know-how e i propri segreti commerciali, in linea di principio, Guillemot non fornirà alcuna notifica o parte di ricambio finalizzata alla rimessa in attività di un qualunque prodotto Thrustmaster il cui periodo di garanzia risultasse scaduto.

Responsabilità

Qualora le leggi applicabili in materia lo consentano, Guillemot Corporation S.A. (d'ora in avanti "Guillemot") e le sue controllate declinano ogni responsabilità per qualsiasi danno derivante da almeno una delle seguenti condizioni: (1) il prodotto è stato modificato, aperto o alterato; (2) mancato rispetto delle istruzioni di installazione; (3) uso inappropriato o non permesso, negligenza, incidente (come, ad esempio, un impatto); (4) semplice usura; (5) utilizzo del prodotto per qualsiasi altro scopo al di fuori dell'uso domestico, comprese finalità professionali o commerciali (esempio: sale giochi, allenamenti, concorsi). Qualora le leggi applicabili in materia lo consentano, Guillemot e le sue controllate declinano ogni responsabilità per qualsiasi danno non riconducibile a difetti nei materiali o nella fabbricazione del prodotto (compresi, ma non i soli, potenziali danni causati direttamente o indirettamente da un qualunque software, oppure dall'uso del prodotto Thrustmaster in combinazione con elementi inadatti, tra cui, in particolare, batterie ricaricabili, caricatori o qualsiasi altro elemento non fornito da Guillemot per questo prodotto).

THRUSTMASTER®

ASSISTENZA TECNICA

<http://support.thrustmaster.com>



COPYRIGHT

© 2017 Guillemot Corporation S.A. Tutti i diritti riservati. Thrustmaster® è un marchio registrato di proprietà di Guillemot Corporation S.A. Tutti gli altri marchi appartengono ai legittimi proprietari. Illustrazioni escluse. I contenuti, i design e le caratteristiche possono essere oggetto di modifiche senza preavviso e possono variare da un Paese all'altro. Fabbricato in Cina.

RACCOMANDAZIONI SULLA TUTELA DELL'AMBIENTE



* Nell'Unione Europea: Al termine della sua vita operativa, questo prodotto non dovrebbe essere gettato assieme ai comuni rifiuti, ma dovrebbe essere portato ad un apposito punto di raccolta destinato al riciclaggio del Materiale Elettrico ed Elettronico.

Ciò è confermato dal simbolo riportato sul prodotto, nel manuale d'uso o sulla confezione.

A seconda delle proprie caratteristiche, i materiali potrebbero essere riciclati.

Tramite il riciclaggio ed altre forme di trattamento del Materiale Elettrico ed Elettronico, è possibile fornire un importante contributo per la salvaguardia dell'ambiente.

Per conoscere i punti di raccolta più vicini a te, contatta le autorità locali competenti.

In tutti gli altri Paesi: per favore, rispetta le leggi locali sul riciclo dei materiali elettrici ed elettronici.

Informazioni da conservare. I colori e le decorazioni possono variare.

I ganci di plastica e gli adesivi dovrebbero essere rimossi dal prodotto prima che quest'ultimo venga utilizzato.

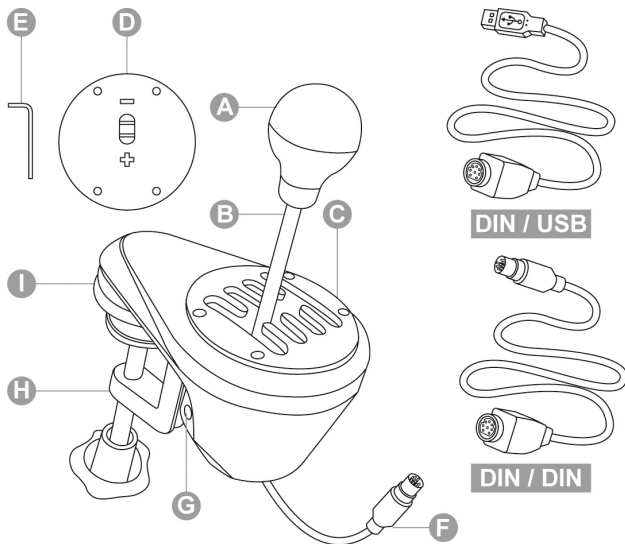
www.thrustmaster.com

**Valido solo in UE e Turchia*



Manual del usuario

PlayStation®3 – PlayStation®4 – Xbox One – PC



CARACTERÍSTICAS TÉCNICAS

A Pomo de cambio de marchas desmontable

(no está instalado de forma predeterminada)

B Palanca

C Placa de cambio ajustable con "forma de H (7+1)"

(instalada de forma predeterminada)

D Placa de cambio ajustable "Secuencial (+/-)"

(no está instalada de forma predeterminada)

E Llave Allen de 2,5 mm (incluida)

F Cable y conector DIN

G Tornillo tensor interno

H Sistema de anclaje ajustable

I "Roscas de tornillo" para montaje en cabina

DIN / USB Cable DIN / USB desmontable

DIN / DIN Cable DIN / DIN desmontable

AVISO

Antes de utilizar este producto, asegúrate de leer detenidamente este manual. Conserva este manual para consultarlo en el futuro.



Advertencia – Descarga eléctrica

- * Mantén este producto en un lugar seco y no lo expongas al polvo ni a la luz directa del sol.
- * Respeta la dirección de inserción de los conectores.
- * No retuerzas ni tires de los conectores ni de los cables.
- * No derrames líquidos en el producto ni en su conector.
- * No cortocircuites el producto.
- * No desmontes este producto (excepto los posibles ajustes descritos en este manual), no intentes quemar el producto ni lo expongas a temperaturas elevadas.



Advertencia – Lesiones debidas a movimientos repetitivos

Jugar con una palanca puede producir dolores musculares y articulares. Para evitar problemas:

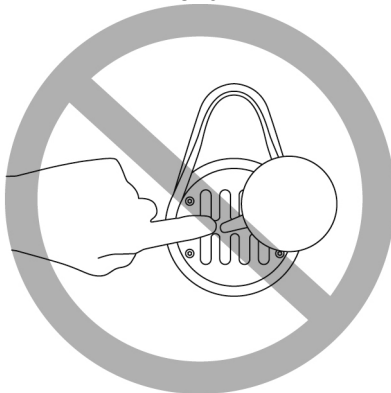
- * Evita jugar durante períodos de tiempo prolongados.
- * Haz descansos de 10 a 15 minutos por cada hora de juego.
- * Si experimentas fatiga o dolor en las manos, muñecas o brazos, deja de jugar y descansa durante unas horas antes de volver a jugar.
- * Si los síntomas o el dolor descritos anteriormente persisten cuando vuelves a jugar, deja de hacerlo y consulta al médico.
- * Verifica que la base de la palanca de cambios está montada correctamente, según se describe en las instrucciones detalladas en este manual.



Advertencia – Riesgo de pillarse en las aberturas de la placa de cambio

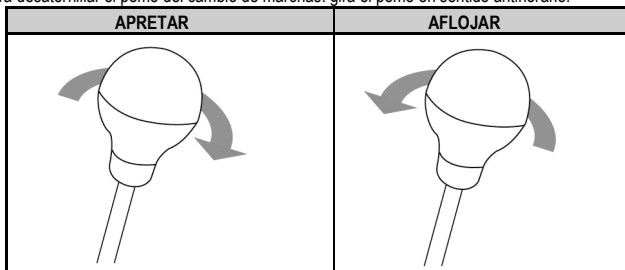
- * Mantén el dispositivo fuera del alcance de los niños.
- * Cuando estés jugando, no coloques nunca los dedos (ni cualquier otra parte de tu cuerpo) en las aberturas de las placas de cambio.

NUNCA



INSTALACIÓN DEL POMO DEL CAMBIO DE MARCHAS

1. Para atornillar el pomo del cambio de marchas (**A**) en su palanca (**B**): gira el pomo del cambio de marchas en sentido horario.
2. Para desatornillar el pomo del cambio de marchas: gira el pomo en sentido antihorario.



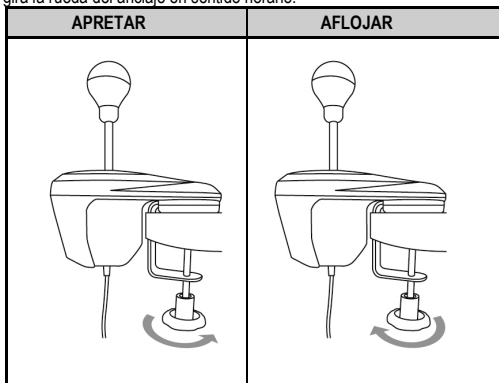
MONTAJE DE LA PALANCA DE CAMBIO DE MARCHAS

El montaje está optimizado para cualquier tipo de soporte:

- **Mesas, escritorios o estantes** de 1 a 55 mm de grosor, mediante el sistema de anclaje (**H**).
- **Cabinas**, mediante las "roscas de tornillo" integradas (el sistema de anclaje es desmontable).

Montaje de la palanca de cambio de marchas en una mesa o escritorio

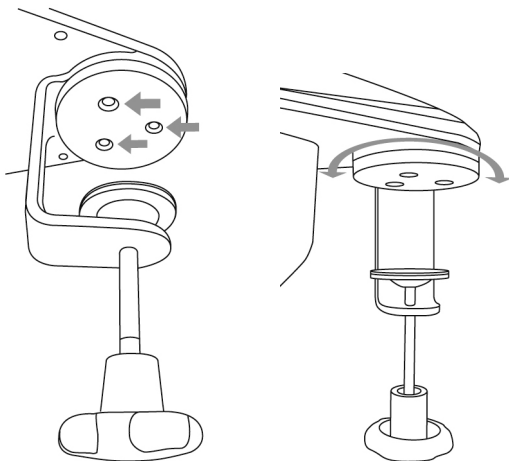
1. Coloca el morro del cambio de marchas en una mesa u otra superficie plana.
2. Para apretar: gira la rueda del anclaje en sentido antihorario.
3. Para aflojar: gira la rueda del anclaje en sentido horario.



Colocación y rotación del sistema de anclaje (se puede ajustar en 360°)

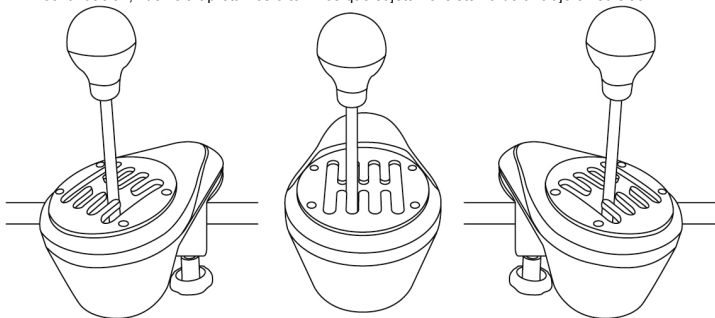
1. Mediante la llave Allen de 2,5 mm incluida (**E**), **desatornilla muy ligeramente** los 3 tornillos que sujetan el sistema de anclaje (**H**) en su sitio.

El sistema de anclaje (y por consiguiente todo el cambio de marchas) ahora se puede rotar manualmente 360°.



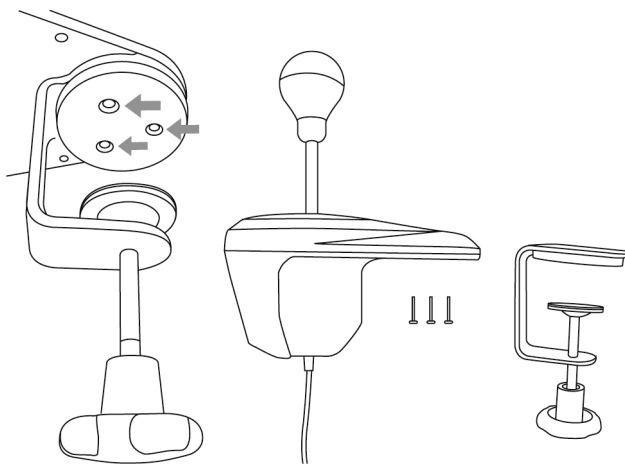
2. Selecciona la posición que prefieras a lo largo de los 360° de rotación (a continuación se muestran 3 ejemplos, entre las otras muchas posibilidades disponibles).

A continuación, vuelve a apretar los 3 tornillos que sujetan el sistema de anclaje en su sitio.

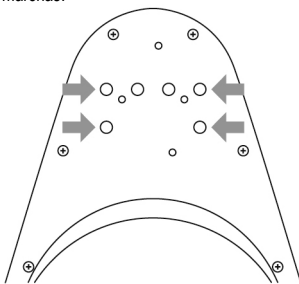


Montaje de la palanca de cambio de marchas en una cabina

1. Mediante la llave Allen de 2,5 mm incluida (**E**), **desatornilla totalmente y quita** los 3 tornillos que sujetan el sistema de anclaje (**H**) en su sitio. Quita el sistema de anclaje de la palanca de cambio de marchas.



2. Una vez retirado el sistema de anclaje, atornilla 2 tornillos "M6" (no incluidos) en el estante de la cabina, y en 2 de las 4 pequeñas "roscas de tornillos" (**I**) situadas en la cara inferior del morro de la palanca de cambio de marchas.

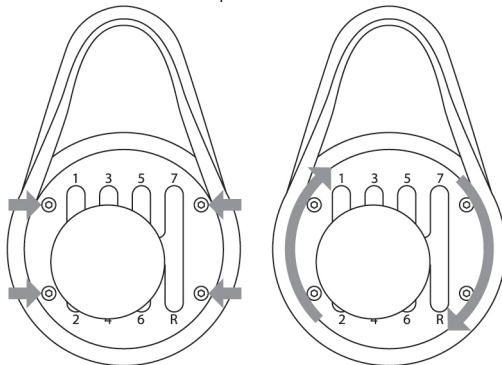


Asegúrate de no utilizar tornillos "M6" que sean demasiado largos, ya que podrías perforar y dañar la parte superior del morro de la palanca de cambio.

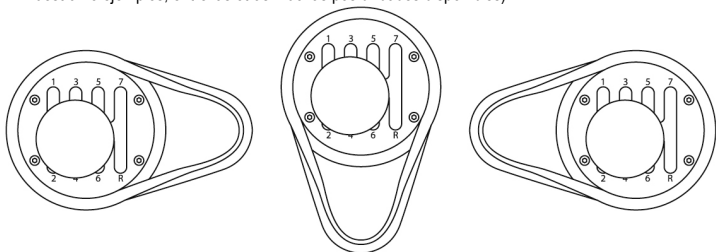
Hay una plantilla de montaje del cambio de marchas disponible en <http://support.thrustmaster.com> (haz clic en Volantes de carreras / TH8A Shifter, después selecciona Manual).

COLOCACIÓN Y ROTACIÓN DE LAS PLACAS DE CAMBIO (SE PUEDEN AJUSTAR EN 360°)

1. Mediante la llave Allen de 2,5 mm incluida (**E**), desatornilla **muy ligeramente** los 4 tornillos que sujetan la placa de cambio (**C o D**) en su sitio.
Ahora puedes rotar manualmente 360° la placa de cambio.



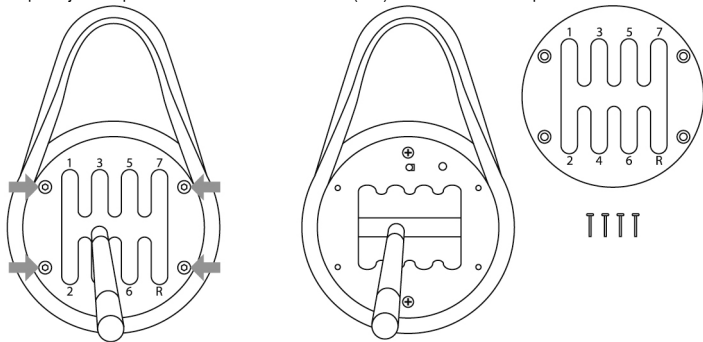
2. Selecciona la posición que prefieras a lo largo de los 360° de rotación (a continuación se muestran 3 ejemplos, entre las otras muchas posibilidades disponibles).



3. Vuelve a apretar los 4 tornillos que sujetan la placa de cambio en su sitio.

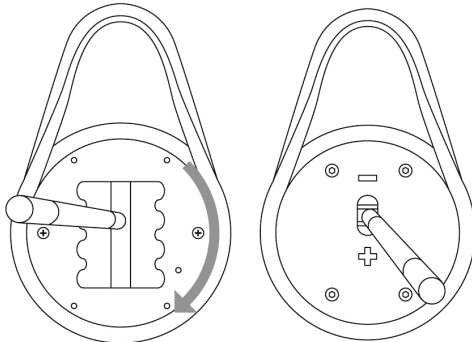
CAMBIO DE LA PLACA DE CAMBIO CON “FORMA DE H (7+1)” A LA PLACA DE CAMBIO “SECUENCIAL (+/-)”

1. Desatornilla (en sentido antihorario) y quita el pomo del cambio de marchas (A).
2. Mediante la llave Allen de 2,5 mm incluida (E), desatornilla totalmente y quita los 4 tornillos que sujetan la placa de cambio con “forma de H (7+1)” en su sitio. Quita la placa de cambio.

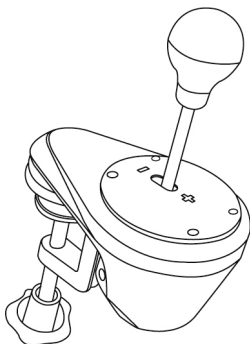


Durante este procedimiento, ten cuidado de no perder por accidente ningún tornillo dentro del mecanismo interno.

3. Rota manualmente la estructura interna 90° hacia la derecha (sentido horario).
A continuación, instala la placa de cambio “Secuencial (+/-)”.

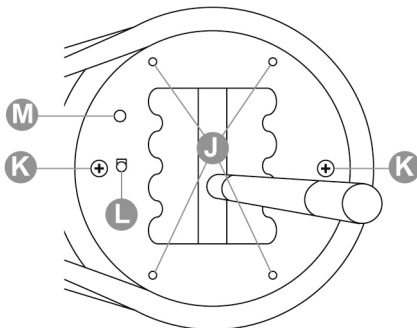


4. Mediante la llave Allen de 2,5 mm incluida (**E**), vuelve a colocar y aprieta completamente los 4 tornillos que sujetan la placa de cambio "Secuencial (+/-)" en su sitio. Atornilla el pomo del cambio de marchas (sentido horario).



Haz este procedimiento a la inversa para sustituir la placa de cambio con "forma de H (7+1)".

Notas relativas a la cubierta superior de la estructura interna:



J: 4 "roscas de tornillo" para sujetar las placas de cambio (**C o D**).

K: 2 tornillos que sostienen en su sitio la estructura interna (no desatornillar).

L: Botón que detecta automáticamente el tipo de placa de cambio utilizada (**C o D**). Se pulsa **automáticamente** cuando se instala la placa de cambio "Secuencial (+/-)". Mantén limpia esta zona para evitar problemas de detección.

M: Ranura para colocar más fácilmente las placas de cambio.

AJUSTE DE LA RESISTENCIA DEL CAMBIO DE MARCHAS

- * Sólo se aplica a la placa de cambio con "forma de H (7+1)".
- * Antes de hacer ajustes, la placa de cambio con "forma de H (7+1)" **debe** estar instalada en su posición original (consulta el diagrama que hay a continuación).



1. Mediante un destornillador largo de cabeza plana, coloca el destornillador en la cabeza del tornillo tensor interno (G) situado en la sección inferior izquierda de la carcasa de la palanca de cambio de marchas.
2. Para aumentar ligeramente la resistencia: gira el tornillo en sentido horario.
3. Para reducir ligeramente la resistencia: gira el tornillo en sentido antihorario.



2 giros completos bastan para pasar de un extremo al otro.



Para evitar dañar el sistema:

- Deja de apretar el tornillo cuando sientas una resistencia fuerte.
- Deja de aflojar el tornillo si la palanca pasa a estar suelta y se tambalea.

INSTRUCCIONES DE CONFIGURACIÓN PARA CONSOLAS

PLAYSTATION®3

= Para todos los juegos de PS3™, conecta siempre(*) el cambio de marchas TH8A directamente a uno de los puertos USB de la PS3™ (NO a la base del volante de carreras de Thrustmaster).

- Conecta el conector **DIN** del cambio de marchas TH8A al cable **DIN / USB**.
- Conecta el cambio de marchas TH8A a uno de los puertos USB de la PS3™.
- Inicia el juego.

El cambio de marchas TH8A puede funcionar con las placas de cambio CON FORMA DE H (7+1) o SECUENCIAL (+/-).

(*) Recomendaciones importantes para el sistema PS3™ (sólo se aplican si estás usando un volante de carreras de Thrustmaster con un conector de cambio de marchas incorporado)

- **Al usar la placa de cambio SECUENCIAL (+/-) del cambio de marchas TH8A, también puedes conectar el cambio a la parte trasera del volante de carreras usando el cable DIN / DIN desmontable.** A continuación, el cambio de marchas TH8A se conecta a las levas de cambio de marchas ARRIBA (= R1) y ABAJO (= L1) del volante de carreras.

Con este volante de carreras, la placa de cambio SECUENCIAL (+/-) del cambio de marchas TH8A funciona con el 100% de los juegos de carreras de PS3™ que son compatibles con el volante.

- Algunos juegos te permiten **usar dos cambios de marchas TH8A simultáneamente:**

Un cambio de marchas TH8A con una placa de cambio CON FORMA DE H (7+1), conectado al puerto USB de la PS3™

+ Un cambio de marchas TH8A con una placa de cambio SECUENCIAL (+/-), conectado a la parte trasera del volante de carreras

* Dispones de una lista de juegos de PS3™ que son compatibles con el cambio de marchas TH8A en esta dirección:

<http://support.thrustmaster.com> (haz clic en Volantes de carreras / TH8A Shifter, después selecciona Configuración de juegos). Esta lista se actualiza regularmente.

* En sistemas PS3™, te recomendamos que no uses un concentrador USB al conectar el volante de carreras o cambio de marchas TH8A a la consola; conecta el dispositivo directamente a los puertos USB de la PS3™.

* Algunos juegos requieren que instales las últimas actualizaciones disponibles para que el cambio de marchas TH8A funcione correctamente (la consola debe estar conectada a Internet).

Según el juego de PS4™ o el volante de carreras que estés usando:

= **Conecta(*) el cambio de marchas TH8A directamente a un puerto USB de la PS4™**

- Conecta el conector **DIN** del cambio de marchas TH8A al cable **DIN / USB**.
- Conecta el cambio de marchas TH8A a uno de los puertos USB de la PS4™.
- Inicia el juego.

El cambio de marchas TH8A puede funcionar con las placas de cambio CON FORMA DE H (7+1) o SECUENCIAL (+/-).

o

= **Conecta(*) el cambio de marchas TH8A directamente a la base del volante de carreras de Thrustmaster**

(sólo se aplica si el volante de carreras de Thrustmaster incorpora un conector de cambio de marchas integrado)

- Conecta el conector **DIN** del cambio de marchas TH8A al **cable DIN / DIN desmontable**.
- Conecta el cambio de marchas TH8A al conector del cambio de marchas situado en la parte trasera de la base del volante de carreras.
- Conecta el volante de carreras y, a continuación, inicia el juego.

El cambio de marchas TH8A puede funcionar con las placas de cambio CON FORMA DE H (7+1) o SECUENCIAL (+/-).

(*) **Recomendaciones importantes para el sistema PS4™** (sólo se aplican si estás usando un volante de carreras de Thrustmaster con un conector de cambio de marchas incorporado)

- **Al usar la placa de cambio SECUENCIAL (+/-) del cambio de marchas TH8A, también puedes conectar el cambio a la parte trasera del volante de carreras usando el cable DIN / DIN desmontable.** A continuación, el cambio de marchas TH8A se conecta a las levas de cambio de marchas ARRIBA (= R1) y ABAJO (= L1) del volante de carreras.

Con este volante de carreras, la placa de cambio SECUENCIAL (+/-) del cambio de marchas TH8A funciona con el 100% de los juegos de carreras de PS4™ que son compatibles con el volante.

- Algunos juegos te permiten **usar dos cambios de marchas TH8A simultáneamente:**

Un cambio de marchas TH8A con una placa de cambio CON FORMA DE H (7+1), conectado al puerto USB de la PS4™

+ Un cambio de marchas TH8A con una placa de cambio SECUENCIAL (+/-), conectado a la parte trasera del volante de carreras

* Dispones de una lista de juegos de PS4™ que son compatibles con el cambio de marchas TH8A y las instrucciones de conexión correspondientes(*) (que pueden variar en función de los juegos) en esta dirección:

<http://support.thrustmaster.com> (haz clic en Volantes de carreras / TH8A Shifter, después selecciona Configuración de juegos). Esta lista se actualiza regularmente.

* En sistemas PS4™, te recomendamos que no uses un concentrador USB al conectar el volante de carreras o cambio de marchas TH8A; conecta el dispositivo directamente a los puertos USB de la PS4™.

* Algunos juegos requieren que instales las últimas actualizaciones disponibles para que el cambio de marchas TH8A funcione correctamente (la consola debe estar conectada a Internet).

XBOX ONE

= Para todos los juegos de Xbox One, conecta siempre el cambio de marchas TH8A directamente a la base del volante de carreras de Thrustmaster (NUNCA al puerto USB de la consola).

- Conecta el conector **DIN** del cambio de marchas TH8A al **cable DIN / DIN desmontable**.
- Conecta el cambio de marchas TH8A al conector del cambio de marchas situado en la parte trasera de la base del volante de carreras.
- Conecta el volante de carreras y, a continuación, inicia el juego.

El cambio de marchas TH8A puede funcionar con las placas de cambio CON FORMA DE H (7+1) o SECUENCIAL (+/-).

Nota importante sobre la Xbox One:

Al usar la placa de cambio SECUENCIAL (+/-) del cambio de marchas TH8A, el cambio se conecta a las levas de cambio ARRIBA (= RB) y ABAJO (= LB) del volante de carreras.

Al usar la placa de cambio SECUENCIAL (+ /-) del cambio de marchas TH8A, el cambio TH8A funciona con el 100% de los juegos de carreras para Xbox One que son compatibles con el volante de carreras de Thrustmaster para Xbox One.

* Dispones de una lista de juegos de Xbox One que son compatibles con el cambio de marchas TH8A en esta dirección:

<http://support.thrustmaster.com> (haz clic en Volantes de carreras / TH8A Shifter, después selecciona Configuración de juegos). Esta lista se actualiza regularmente.

* Algunos juegos requieren que instales las últimas actualizaciones disponibles para que el cambio de marchas TH8A funcione correctamente (la consola debe estar conectada a Internet).



Para garantizar la compatibilidad de tu volante de carreras de Thrustmaster para Xbox One con el cambio de marchas TH8A, puede que tengas que actualizar el firmware del volante de carreras con la última versión disponible mediante PC en esta dirección: <http://support.thrustmaster.com> (haz clic en Volantes de carreras / TH8A Shifter, después selecciona Firmware).

INSTRUCCIONES DE CONFIGURACIÓN PARA PC

= Para todos los juegos de PC(*), conecta siempre el cambio de marchas TH8A directamente a uno de los puertos USB del PC.

- Conecta el conector DIN del cambio de marchas TH8A al cable DIN / USB.
- Conecta el cambio de marchas TH8A a uno de los puertos USB del PC.
- Cuando está conectado a un PC, el cambio de marchas TH8A es un dispositivo Plug & Play y se detecta e instala automáticamente.
- A continuación, el dispositivo aparece como "T500 RS Gear Shift" en el Panel de control de Windows®.
- Haz clic en Propiedades para probar y ver las características del dispositivo.
- Inicia el juego.

¡Ya estás preparado para correr!

(* **Recomendaciones importantes para PC** (sólo se aplican si estás usando un volante de carreras de Thrustmaster con un conector de cambio de marchas incorporado)

- Al usar la placa de cambio SECUENCIAL (+/-) del cambio de marchas TH8A, también puedes conectar el cambio a la parte trasera del volante de carreras usando el cable DIN / DIN desmontable. A continuación, el cambio de marchas TH8A se conecta a las levas de cambio de marchas ARRIBA (= 2) y ABAJO (= 1) del volante de carreras.

Con este volante de carreras, la placa de cambio SECUENCIAL (+ /-) del cambio de marchas TH8A funciona con el 100% de los juegos de carreras de PC que son compatibles con el volante.

- Algunos juegos te permiten **usar dos cambios de marchas TH8A simultáneamente**:

Un cambio de marchas TH8A con una placa de cambio CON FORMA DE H (7+1), conectado al puerto USB del PC

+ Un cambio de marchas TH8A con una placa de cambio SECUENCIAL (+/-), conectado a la parte trasera del volante de carreras

* En PC, la palanca de cambio de marchas de Thrustmaster es compatible con:

- todos los juegos que admiten MULTI-USB y palancas de cambio de marchas.
- todos los volantes del mercado.

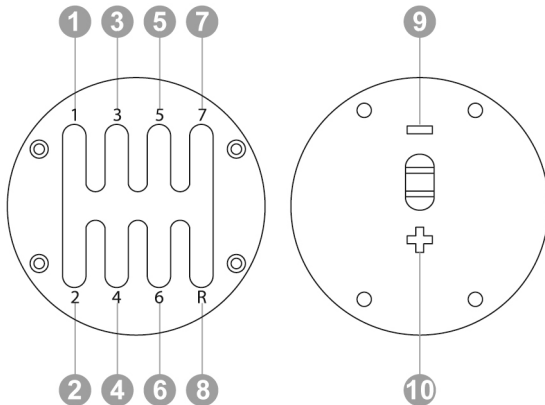
* Te recomendamos que conectes el volante de carreras y el cambio de marchas TH8A directamente a los puertos USB 2.0 (no USB 3.0) del PC, sin usar un concentrador.

* En algunos juegos de PC, **debes** instalar las últimas actualizaciones disponibles para que la palanca de cambio de marchas de Thrustmaster funcione correctamente.

* En algunos juegos de PC (para evitar conflictos entre el volante y la palanca de cambio de marchas), puede ser necesario:

- no mapear nada en las levas de cambio de marchas del volante.
- habilitar la función "Mantener pulsado el botón para cambiar".

ASIGNACIÓN EN PC



PAQUETE DE SOFTWARE

Hay un "paquete de software" disponible aquí: <http://support.thrustmaster.com> (haz clic en Volantes de carreras / TH8A Shifter, después selecciona Controladore).

- Después de instalar el paquete de software, podrás:

- * comprobar la versión del firmware de tu palanca de cambio de marchas.
- * actualizar el firmware (si es necesario) con la última versión disponible.
- * utilizar el "Método BOOTLOADER"
(para restaurar la palanca de cambio de marchas, en caso de pérdida del firmware).
- * acceder a un Panel de control personalizado (dispositivos de juego) en PC.
- * en PC, disfrutar del modo ANALÓGICO (freno de mano)

SOFTWARE DE CALIBRACIÓN AVANZADO

La calibración del cambio de marchas TH8A se realiza automáticamente.

En la siguiente dirección también dispones de una aplicación de software de calibración avanzada para PC: <http://support.thrustmaster.com> (haz clic en Volantes de carreras / TH8A Shifter / Software). Te permite ajustar el recorrido del cambio de marchas según tus preferencias.

Cuando la configuración se ha realizado, se guarda de forma instantánea en la memoria interna del cambio de marchas (y se puede usar en PS3™, PS4™, Xbox One y PC).

RESUMEN DE INSTRUCCIONES PARA CONECTAR EL CAMBIO DE MARCHAS TH8A A LOS DISTINTOS SISTEMAS

Conectar el cambio de marchas TH8A	
PS3™	Siempre(*) directamente a la PS3™ (USB)
PS4™	Según el juego o volante de carreras (*): - Directamente al sistema PS4™ (USB) - O a la parte trasera del volante de carreras (DIN)
XBOX ONE	Siempre a la parte trasera del volante de carreras (DIN)
PC	Siempre(*) directamente al PC (USB)

(*) Para obtener más información relacionada con las excepciones, consulta las secciones de **Recomendaciones importantes** en las páginas correspondientes del manual.

AVISO

* No conectes nunca el cambio de marchas TH8A directamente a otro dispositivo que no sea un volante de carreras de Thrustmaster, aunque el dispositivo cuente con un conector DIN idéntico. Podrías provocar daños al cambio de marchas TH8A o al otro dispositivo.

RESOLUCIÓN DE PROBLEMAS

* Mi palanca de cambio de marchas no funciona correctamente o parece estar mal calibrada:

- Apaga el ordenador o la consola, desconecta la palanca, vuelve a conectarla y luego vuelve a iniciar el juego.
- En tu juego, en "Opciones/Controlador", selecciona o configura la configuración más apropiada.
- Consulta el manual del usuario o la ayuda en línea del juego para obtener más información.

- Hay varios consejos y características de ayuda (no incluidos en este manual), una lista de juegos compatibles, etc. disponibles en el sitio web <http://support.thrustmaster.com>. Haz clic en Volantes de carreras / TH8A Shifter.

- En Xbox One, para garantizar la compatibilidad de tu volante de carreras de Thrustmaster para Xbox One con el cambio de marchas TH8A, puede que tengas que actualizar el firmware del volante de carreras con la última versión disponible mediante PC en esta dirección: <http://support.thrustmaster.com> (haz clic en Volantes de carreras / TH8A Shifter / Firmware).

INFORMACIÓN DE GARANTÍA AL CONSUMIDOR

En todo el mundo, Guillemot Corporation S.A., cuyo domicilio legal se encuentra en Place du Granier, B.P. 97143, 35571 Chantepie, Francia (en lo sucesivo "Guillemot") garantiza al consumidor que este producto de Thrustmaster estará libre de defectos de materiales y mano de obra, durante un período de garantía que corresponde al límite de tiempo para interponer una acción legal referida a la conformidad en relación con este producto. En los países de la Unión Europea, esto corresponde a un período de dos (2) años a partir de la entrega del producto de Thrustmaster. En otros países, el período de garantía corresponde al límite de tiempo para interponer una acción legal referida a la conformidad en relación con este producto de Thrustmaster según las leyes aplicables del país en el que el consumidor estuviese domiciliado en la fecha de compra del producto de Thrustmaster (si no existiese una acción similar en el país correspondiente, entonces el período de garantía será de un (1) año a partir de la fecha de compra original del producto de Thrustmaster).

Si el producto resultase defectuoso durante el período de garantía, hay que ponerse en contacto inmediatamente con el Soporte Técnico, que indicará el procedimiento a seguir. Si se confirma el defecto, el producto debe devolverse a su lugar de compra (o a cualquier otra ubicación indicada por el Soporte Técnico).

Dentro del contexto de esta garantía, el producto defectuoso del consumidor será sustituido o restaurado su funcionamiento correcto. Si, durante el período de garantía, el producto de Thrustmaster fuese sometido a dicho reacondicionamiento, cualquier período de cómo mínimo siete (7) días durante el que el producto no se pueda usar se añadirá al período de garantía restante (este período va desde la fecha de petición de intervención del consumidor o desde la fecha en la que el producto se entrega para el reacondicionamiento, si la fecha en la que el producto se entrega para el reacondicionamiento fuese posterior a la fecha de la petición de intervención). Si la ley aplicable lo permite, toda la responsabilidad de Guillemot y sus filiales (incluso por daños resultantes) se limita a la restauración del funcionamiento correcto o la sustitución del producto de Thrustmaster. Si la ley aplicable lo permite, Guillemot renuncia a todas las garantías de comerciabilidad o adecuación para un propósito determinado.

Esta garantía no se aplicará: (1) si el producto ha sido modificado, abierto, alterado o ha sufrido daños como resultado de un uso inapropiado o abuso, negligencia, accidente, desgaste normal, o cualquier otra causa no relacionada con un defecto de materiales o fabricación (incluyendo, pero no de forma exclusiva, la combinación del producto de Thrustmaster con cualquier elemento no adecuado, incluyendo en particular fuentes de alimentación, baterías recargables, cargadores o cualquier otro elemento no suministrado por Guillemot para este producto); (2) si el producto se ha empleado para otro uso distinto del doméstico, incluyendo fines profesionales o comerciales (salones de juego, entrenamiento, competiciones, por ejemplo); (3) en caso de incumplimiento de las instrucciones proporcionadas por el Soporte Técnico; (4) a software, es decir software sujeto a una garantía específica; (5) a consumibles (elementos que se tienen que reemplazar a lo largo de la vida del producto: por ejemplo, baterías desechables o almohadillas para auriculares de audio); (6) a accesorios (por ejemplo, cables, cajas, bolsas, bolsos o muñequeras); (7) si el producto se ha vendido en una subasta pública.

Esta garantía no es transferible.

Los derechos legales del consumidor en relación con las leyes aplicables a la venta de productos de consumo de su país no se ven afectados por esta garantía.

Provisiones de garantía adicionales

Durante el período de garantía, Guillemot no proporcionará, en principio, ninguna pieza de repuesto, ya que el Soporte Técnico es el único autorizado para abrir y/o reacondicionar los productos de Thrustmaster (con la excepción de los procedimientos de reacondicionamiento que el Soporte técnico puede solicitar que lleve a cabo el consumidor, mediante instrucciones por escrito – por ejemplo, debido a la simplicidad y la falta de confidencialidad del proceso de reacondicionamiento – y suministrando al consumidor las piezas de repuesto necesarias, si hiciere falta).

Debido a sus ciclos de innovación y para proteger su know-how y secretos comerciales, Guillemot no proporcionará, en principio, ninguna pieza de repuesto ni instrucciones de reacondicionamiento para los productos de Thrustmaster cuyo período de garantía haya vencido.

En los Estados Unidos de América y en Canadá, esta garantía está limitada al mecanismo interno del producto y al alojamiento externo. En ningún caso, Guillemot ni sus filiales serán responsables ante terceros por daños resultantes o fortuitos resultado del incumplimiento de cualquier garantía expresa o implícita. En algunos estados o provincias no se permite la limitación de la duración de una garantía implícita ni la exclusión o limitación de responsabilidad por daños resultantes o fortuitos, por lo que las limitaciones o exclusiones anteriores pueden no ser aplicables. Esta garantía ofrece derechos legales específicos al consumidor, que también puede tener otros derechos que pueden variar de un estado a otro o de una provincia a otra.

Responsabilidad

Si la ley aplicable lo permite, Guillemot Corporation S.A. (en lo sucesivo "Guillemot") y sus filiales renuncian a toda responsabilidad por los daños causados por uno o más de los siguientes motivos: (1) el producto ha sido modificado, abierto o alterado; (2) incumplimiento de las instrucciones de montaje; (3) uso inapropiado o abuso, negligencia, accidente (un impacto, por ejemplo); (4) desgaste normal; (5) el producto se ha empleado para otro uso distinto del doméstico, incluyendo fines profesionales o comerciales (salones de juego, entrenamiento, competiciones, por ejemplo). Si la ley aplicable lo permite, Guillemot y sus filiales renuncian a toda responsabilidad por los daños no relacionados con defectos de materiales o fabricación en relación con el producto (incluyendo, pero no de forma exclusiva, los daños causados de forma directa o indirecta por cualquier software, o por combinar el producto de Thrustmaster con cualquier elemento no adecuado, incluyendo en particular fuentes de alimentación, baterías recargables, cargadores o cualquier otro elemento no suministrado por Guillemot para este producto).

THRUSTMASTER®

SOPORTE TÉCNICO

<http://support.thrustmaster.com>



COPYRIGHT

© 2017 Guillemot Corporation S.A. Todos los derechos reservados. Thrustmaster® es una marca registrada de Guillemot Corporation S.A. Todas las demás marcas son propiedad de sus respectivos dueños. Ilustraciones no definitivas. El contenido, la concepción y las especificaciones son susceptibles de cambiar sin previo aviso y varían según el país. Fabricado en China.

RECOMENDACIÓN DE PROTECCIÓN AMBIENTAL



* En la Unión Europea: Al terminar su vida útil, este producto no debe tirarse en un contenedor de basuras estándar, sino que debe dejarse en un punto de recogida de desechos eléctricos y equipamiento electrónico para ser reciclado.

Esto viene confirmado por el símbolo que se encuentra en el producto, manual del usuario o embalaje.

Dependiendo de sus características, los materiales pueden reciclarse. Mediante el reciclaje y otras formas de procesamiento de los desechos eléctricos y el equipamiento electrónico puedes contribuir de forma significativa a ayudar a proteger el medio ambiente.

Contacta con las autoridades locales para más información sobre el punto de recogida más cercano. Para los demás países: cumple las leyes locales sobre reciclaje de equipos eléctricos y electrónicos.

Esta información debe conservarse. Los colores y motivos decorativos pueden variar. Los adhesivos y los cierres de plástico se deben quitar del producto antes de utilizarlo.

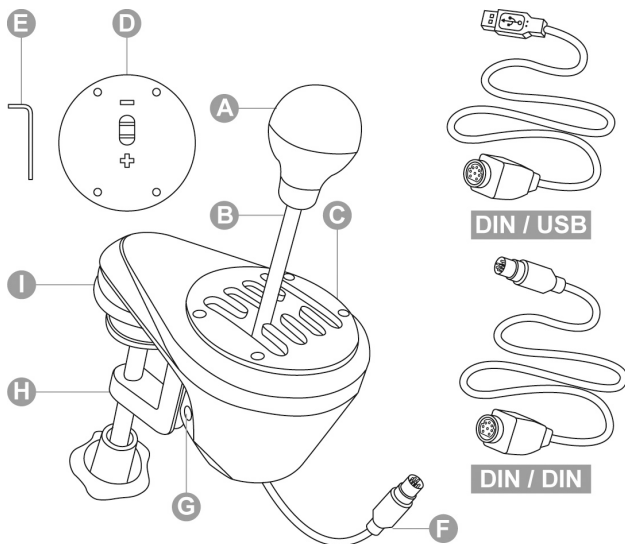
www.thrustmaster.com

**Aplicable únicamente a la UE y Turquía*



PlayStation®3 – PlayStation®4 – Xbox One – PC

Manual do Utilizador



CARACTERÍSTICAS TÉCNICAS

A Manípulo de alavanca de velocidades amovível
(*não instalado por predefinição*)

B Alavanca

C Chapa da alavanca de velocidades ajustável "H
(7+1) (*instalada por predefinição*)

D Chapa da alavanca de velocidades ajustável
"Sequencial (+/-) (*não instalada por
predefinição*)

E Chave sextavada de 2,5 mm (incluída)

F Cabo e conector DIN

G Parafuso tensor interno

H Sistema de fixação ajustável

I "Roscas de parafusos" para montagem em
cockpit

DIN/USB Cabo DIN/USB amovível

DIN/DIN Cabo DIN/DIN amovível

AVISO

Antes de utilizar este produto, leia atentamente o manual. Conserve o manual para consulta futura.



Aviso – Choque elétrico

Guarde este produto num local seco e não o exponha ao pó nem à luz do sol.

- * Respeite a direção de inserção dos conectores.
- * Não torça nem puxe os conectores e os cabos.
- * Não derrame quaisquer líquidos sobre o produto ou os respetivos conectores.
- * Não provoque um curto-circuito no produto.
- * Não desmonte este produto (à exceção dos possíveis ajustes descritos neste manual), não tente queimar o produto e não exponha o produto a temperaturas elevadas.



Aviso – Lesões devido a movimentos repetitivos

Jogar com uma alavanca de velocidades pode causar dores musculares e nas articulações. Para evitar quaisquer problemas:

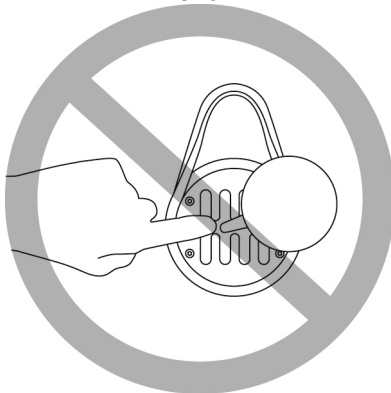
- * Evite jogar durante longos períodos de tempo.
- * Faça um intervalo de 10 a 15 minutos após cada hora de jogo.
- * Se sentir cansaço ou dores nas mãos, pulsos ou braços, pare de jogar e descanse durante algumas horas antes de recomeçar a jogar.
- * Se os sintomas ou as dores acima indicados persistirem quando recomeçar a jogar, pare de jogar e consulte o seu médico.
- * Verifique se a base da alavanca de velocidades está corretamente montada, conforme descrito nas instruções fornecidas neste manual.



Aviso – Risco de entalção nas aberturas da chapa da alavanca de velocidades

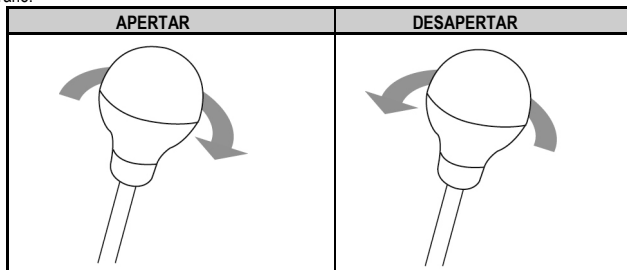
- * Guarde fora do alcance das crianças.
- * Quando jogar, nunca coloque os dedos (ou qualquer outra parte do corpo) nas aberturas da chapa da alavanca de velocidades.

NUNCA



INSTALAR O MANÍPULO DA ALAVANCA DE VELOCIDADES

1. Para enroscar o manípulo da alavanca de velocidades (**A**) na respetiva alavanca (**B**): rode o manípulo da alavanca de velocidades no sentido horário.
2. Para desenroscar o manípulo da alavanca de velocidades: rode o manípulo no sentido anti-horário.



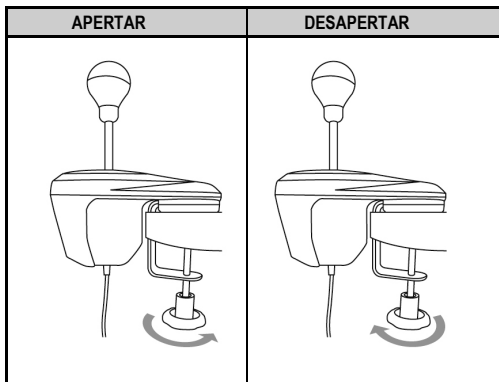
MONTAR A ALAVANCA DE VELOCIDADES

A montagem está otimizada para qualquer tipo de suporte:

- **Mesas, secretárias** ou **prateleiras** de 1 a 55 mm de espessura, através do sistema de fixação (**H**).
- **Cockpits**, através das “roscas de parafusos” integradas (o sistema de fixação é amovível).

Montar a alavanca de velocidades numa mesa ou secretária

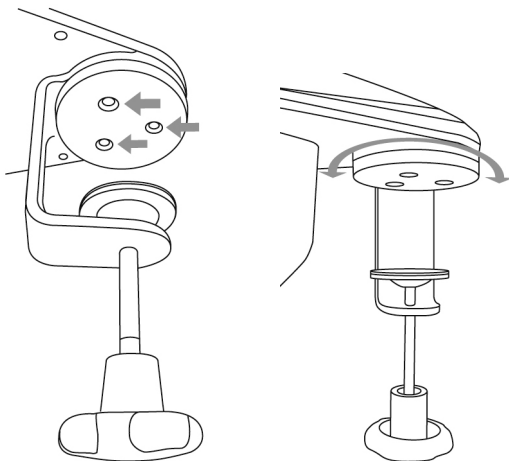
1. Coloque o nariz da alavanca de velocidades numa mesa ou noutra superfície plana.
2. Para apertar: rode o manípulo de fixação no sentido anti-horário.
3. Para desapertar: rode o manípulo de fixação no sentido horário.



Posicionar e rodar o sistema de fixação (pode ser ajustado sobre 360°)

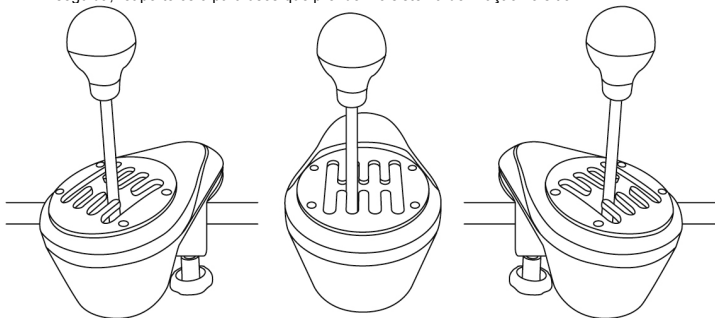
1. Com a chave sextavada de 2,5 mm incluída (**E**), **desaperte muito ligeiramente** os 3 parafusos que prendem o sistema de fixação (**H**).

O sistema de fixação (e por conseguinte toda a alavanca de velocidades) pode ser rodado agora manualmente sobre 360°.



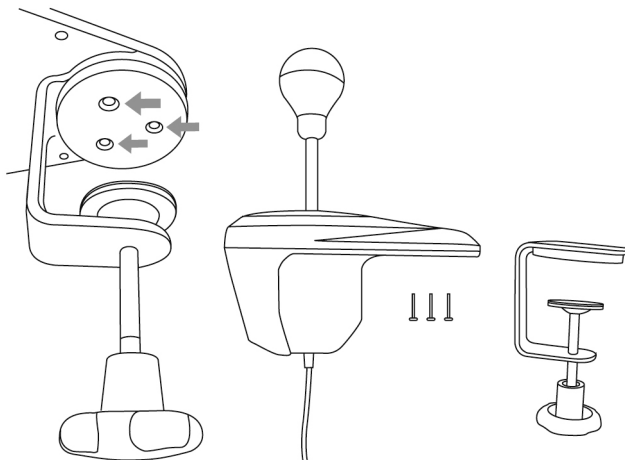
2. Selecione a sua posição preferida ao longo da rotação de 360° (são mostrados abaixo 3 exemplos, entre as inúmeras possibilidades disponíveis).

Em seguida, reaperte os 3 parafusos que prendem o sistema de fixação no sítio.

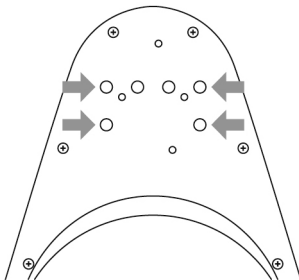


Montar a alavanca de velocidades num cockpit

1. Com a chave sextavada de 2,5 mm incluída (**E**), **desaperte muito ligeiramente** os 3 parafusos que prendem o sistema de fixação (**H**). Separe o sistema de fixação da alavanca de velocidades.



2. Depois de remover o sistema de fixação, enrosque 2 parafusos "M6" (não incluídos) na prateleira do cockpit e em 2 das 4 pequenas "roscas de parafusos" (**I**) situadas na parte inferior do nariz da alavanca de velocidades.

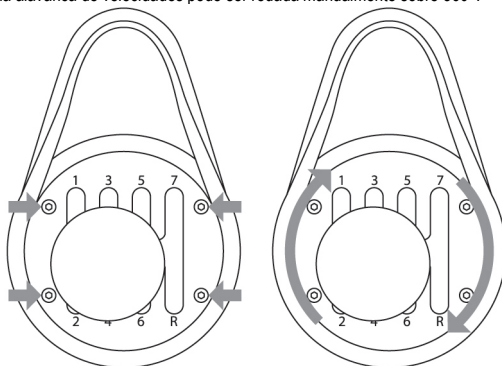


Tenha cuidado para não utilizar parafusos "M6" demasiado compridos, os quais poderão perfurar e danificar a parte superior do nariz da alavanca de velocidades.

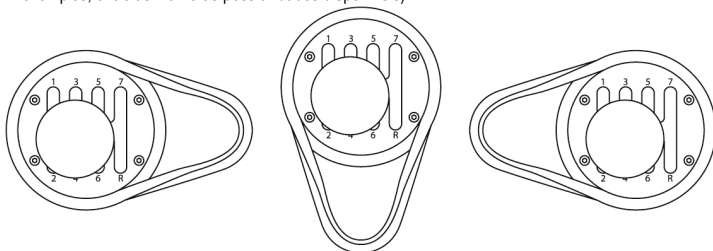
Há um modelo de montagem de alavanca de velocidades para cockpits está em <http://support.thrustmaster.com> (clique em Racing Wheels / TH8A Shifter, em seguida seleccione Manual).

POSICIONAR E RODAR A CHAPA DA ALAVANCA DE VELOCIDADES (PODE SER AJUSTADA SOBRE 360°)

1. Com a chave sextavada de 2,5 mm incluída (**E**), **desaperte ligeiramente** os 4 parafusos que prendem a chapa da alavanca de velocidades (**C ou D**).
A chapa da alavanca de velocidades pode ser rodada manualmente sobre 360°.



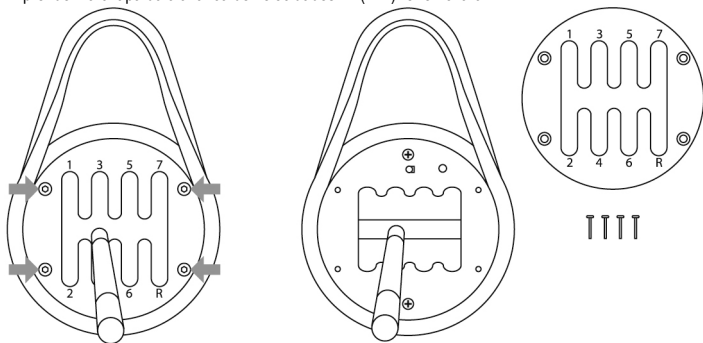
2. Selecione a sua posição preferida ao longo da rotação de 360° (são mostrados abaixo 3 exemplos, entre as inúmeras possibilidades disponíveis).



3. Reaperte os 4 parafusos que prendem a chapa da alavanca de velocidades.

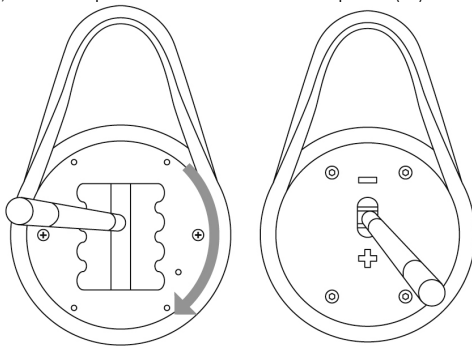
MUDAR DA CHAPA DA ALAVANCA DE VELOCIDADE “H (7+1)” PARA A CHAPA DA ALAVANCA DE VELOCIDADES “SEQUENCIAL (+/-)”

1. Desenrosque (no sentido anti-horário) e remova o manípulo da alavanca de velocidades (A).
2. Com a chave sextavada de 2,5 mm incluída (E), **desaperte e remova** os 4 parafusos que prendem a chapa da alavanca de velocidades “H (7+1)” e remova-a.

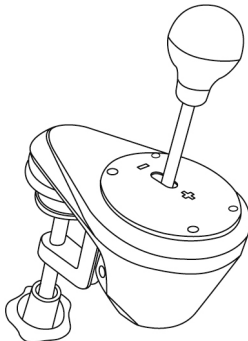


Durante este procedimento, tenha cuidado para não deixar cair nenhum dos parafusos dentro do mecanismo interno.

3. Rode manualmente a estrutura interna 90° para a direita (sentido horário). Em seguida, instale a chapa da alavanca de velocidades “Sequencial (+/-)”.

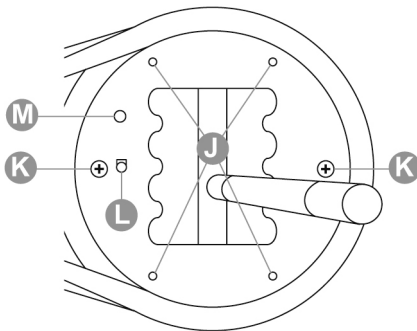


4. Com a chave sextavada de 2,5 mm incluída (**E**), volte a colocar e reaperte completamente os 4 parafusos que prendem a chapa da alavanca de velocidades “Sequencial (+/-)”. Enrosque novamente o manípulo da alavanca de velocidades (sentido horário).



Efetue este procedimento no sentido inverso para recolocar a chapa da alavanca de velocidades “H (7+1)”.

Notas relativas à tampa superior da estrutura interna:



J: 4 “roscas de parafusos” para fixar as chapas da alavanca de velocidades (**C ou D**).

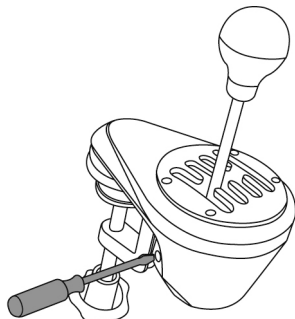
K: 2 parafusos que fixam a estrutura interna (não desapertar).

L: Botão que deteta automaticamente o tipo de chapa de alavanca de velocidades utilizada (**C ou D**). É premido **automaticamente** quando está instalada a chapa da alavanca de velocidades “Sequencial (+/-)”. Mantenha esta área limpa para evitar quaisquer problemas de detecção.

M: Ranhura para um posicionamento mais fácil das chapas da alavanca de velocidades.

AJUSTAR A RESISTÊNCIA DA ALAVANCA DE VELOCIDADES

- * Aplica-se unicamente à chapa da alavanca de velocidades "H (7+1)".
- * Antes de efetuar quaisquer ajustes, a chapa da alavanca de velocidades "H (7+1)" **tem** de ser instalada na respetiva posição original (consulte o esquema abaixo).



1. Com uma chave de fendas grande de cabeça chata, coloque a chave de fendas na cabeça do parafuso tensor interno (G), situado na secção inferior esquerda da caixa da alavanca de velocidades.
2. Para aumentar ligeiramente a resistência: rode o parafuso no sentido horário.
3. Para diminuir ligeiramente a resistência: rode o parafuso no sentido anti-horário.



2 voltas completas são suficientes para ir de um extremo ao outro.



Para evitar danificar o sistema:

- Pare de apertar o parafuso quando sentir uma resistência forte.
- Pare de desapertar o parafuso se a alavanca ficar solta e instável.

INSTRUÇÕES DE CONFIGURAÇÃO PARA JOGOS DE CONSOLAS

PLAYSTATION®3

= Em todos os jogos para a PS3™, ligue sempre(*) a alavanca de velocidades TH8A diretamente a uma das portas USB da PS3™ (NÃO à base do volante Thrustmaster).

- Ligue o conector DIN da alavanca de velocidades TH8A ao cabo DIN/USB.

- Ligue a alavanca de velocidades TH8A a uma das portas USB da PS3™.

- Inicie o jogo.

A alavanca de velocidades pode então funcionar com as chapas de mudança de velocidades H (7+1) ou SEQUENCIAL (+/-).

(*) **Recomendações importantes para o sistema PS3™** (aplicáveis apenas se for utilizado um volante Thrustmaster dotado de um conector para alavanca de velocidades integrado)

- Quando utilizar a chapa de mudança de velocidades SEQUENCIAL (+/-) da alavanca de velocidades TH8A, também pode ligar a alavanca de velocidades à parte posterior do volante com o cabo DIN/DIN amovível. A alavanca de velocidades é então ligada às pás de mudança de velocidades UP (= R1) e DOWN (= L1) do volante.

Com este volante, a chapa de mudança de velocidades SEQUENCIAL (+ /-) da alavanca de velocidades TH8A funciona com todos os jogos de corridas de automóveis para a PS3™ compatíveis com o volante.

- Alguns jogos permitem-lhe **utilizar duas alavancas de velocidades em simultâneo**:

Uma alavanca de velocidades TH8A com uma chapa de mudança de velocidades H (7+1), ligada à porta USB™ da PS3™

+ Uma alavanca de velocidades com uma chapa de mudança de velocidades SEQUENCIAL (+/-), ligada à parte posterior do volante

* Uma lista de jogos para a PS3™ compatíveis com a alavanca de velocidades TH8A está disponível aqui:

<http://support.thrustmaster.com> (clique em Racing Wheels / TH8A Shifter, em seguida seleccione Configurações de jogos). Esta lista é atualizada regularmente.

* Nos sistemas PS3™, recomendamos que não utilize um concentrador USB quando ligar o volante ou a alavanca de velocidades TH8A à consola de jogos; ligue o dispositivo diretamente às portas USB da PS3™.

* Alguns jogos requerem que instale as atualizações mais recentes disponíveis para que a alavanca de velocidades TH8A possa funcionar corretamente (a consola de jogos deve estar ligada à Internet).

Consoante o jogo para a PS4™ ou o volante que está a utilizar:

= **Ligue(*) a alavanca de velocidades TH8A diretamente à porta USB da PS4™**

- Ligue o conector **DIN** da alavanca de velocidades TH8A ao cabo **DIN/USB**.

- Ligue a alavanca de velocidades TH8A a uma das portas USB da PS4™.

- Inicie o jogo.

A alavanca de velocidades pode então funcionar com as chapas de mudança de velocidades H (7+1) ou SEQUENCIAL (+/-).

Ou

= **Ligue(*) a alavanca de velocidades diretamente à base do volante Thrustmaster**

(apenas aplicável se o volante Thrustmaster possui um conector para alavanca de velocidades integrado)

- Ligue o conector **DIN** da alavanca de velocidades TH8A ao **cabo DIN/DIN amovível**.

- Ligue a alavanca de velocidades TH8A ao conector da alavanca de velocidades situado na parte posterior da base do volante.

- Ligue o volante e inicie o jogo.

A alavanca de velocidades pode então funcionar com as chapas de mudança de velocidades H (7+1) ou SEQUENCIAL (+/-).

(*) Recomendações importantes para o sistema PS4™ (aplicáveis apenas se for utilizado um volante Thrustmaster dotado de um conector para alavanca de velocidades integrado)

- **Quando utilizar a chapa de mudança de velocidades SEQUENCIAL (+/-) da alavanca de velocidades TH8A, também pode ligar a alavanca de velocidades à parte posterior do volante com o cabo DIN/DIN amovível.** A alavanca de velocidades é então ligada às pás de mudança de velocidades UP (= R1) e DOWN (= L1) do volante.

Com este volante, a chapa de mudança de velocidades SEQUENCIAL (+ /-) da alavanca de velocidades TH8A funciona com todos os jogos de corridas de automóveis para a PS4™ compatíveis com o volante.

- Alguns jogos permitem-lhe **utilizar duas alavancas de velocidades em simultâneo:**

Uma alavanca de velocidades TH8A com uma chapa de mudança de velocidades H (7+1), ligada à porta USB™ da PS4™

+ Uma alavanca de velocidades com uma chapa de mudança de velocidades SEQUENCIAL (+/-), ligada à parte posterior do volante

* Uma lista de jogos para a PS4™ compatíveis com a alavanca de velocidades TH8A e as instruções de ligação relevantes(*) (que variam consoante os jogos) estão disponíveis aqui: <http://support.thrustmaster.com> (clique em Racing Wheels / TH8A Shifter, em seguida seleccione Configurações de jogos). Esta lista é atualizada regularmente.

* Nos sistemas PS4™, recomendamos que não utilize um concentrador USB quando ligar o volante ou a alavanca de velocidades TH8A; ligue o dispositivo diretamente às portas USB da PS4™.

* Alguns jogos requerem que instale as atualizações disponíveis mais recentes para que a alavanca de velocidades TH8A possa funcionar corretamente (a consola de jogos deve estar ligada à Internet).

XBOX ONE

= Em todos os jogos para a Xbox One, ligue sempre a alavanca de velocidades TH8A diretamente à base do volante Thrustmaster (NUNCA à porta USB da consola de jogos).

- Ligue o conector DIN da alavanca de velocidades TH8A ao **cabo DIN/DIN amovível**.

- Ligue a alavanca de velocidades TH8A ao conector da alavanca de velocidades situado na parte posterior da base do volante. - Ligue o volante e inicie o jogo.

A alavanca de velocidades pode então funcionar com as chapas de mudança de velocidades H (7+1) ou SEQUENCIAL (+/-).

Nota importante sobre a Xbox One:

Quando utilizar a chapa de mudança de velocidades SEQUENCIAL (+/-) da alavanca de velocidades TH8A, esta é ligada às pás de mudança de velocidades UP (= RB) e DOWN (= LB) do volante.

Quando utilizar a chapa de mudança de velocidades SEQUENCIAL (+ /-) da alavanca de velocidades TH8A, esta funciona com todos os jogos de corridas de automóveis para a Xbox One compatíveis com o volante Thrustmaster para a Xbox One.

* Uma lista de jogos para a Xbox One compatíveis com a alavanca de velocidades TH8A está disponível aqui:

<http://support.thrustmaster.com> (clique em Racing Wheels / TH8A Shifter, em seguida seleccione Configurações de jogos). Esta lista é atualizada regularmente.

* Alguns jogos requerem que instale as atualizações disponíveis mais recentes para que a alavanca de velocidades TH8A possa funcionar corretamente (a consola de jogos deve estar ligada à Internet).



Para garantir a compatibilidade do seu volante Thrustmaster para a Xbox One com a alavanca de velocidades TH8A, poderá ser-lhe pedido para atualizar o firmware do volante com a mais recente versão disponível via PC aqui: <http://support.thrustmaster.com> (clique em Racing Wheels / TH8A Shifter, em seguida seleccione Firmware).

INSTRUÇÕES DE CONFIGURAÇÃO PARA O PC

= Em todos os jogos para o PC(*), ligue sempre a alavanca de velocidades TH8A diretamente a uma das portas USB do PC.

- Ligue o conector DIN da alavanca de velocidades TH8A ao cabo DIN/USB.
- Ligue a alavanca de velocidades TH8A a uma das portas USB do PC.
- Quando ligada ao PC, a alavanca de velocidades TH8A é um dispositivo Plug & Play, sendo detetada e instalada automaticamente.
- O dispositivo fica visível em seguida como "T500 RS Gear Shift" no Painel de Controlo do Windows®.
- Clique em Propriedades para testar e ver as funcionalidades do dispositivo.
- Inicie o jogo.

Está pronto para começar a jogar!

(*) Recomendações importantes para o PC (aplicáveis apenas se for utilizado um volante Thrustmaster dotado de um conector para alavanca de velocidades integrado)

- Quando utilizar a chapa de mudança de velocidades SEQUENCIAL (+/-) da alavanca de velocidades TH8A, também pode ligar a alavanca de velocidades à parte posterior do volante com o cabo DIN/DIN amovível. A alavanca de velocidades é então ligada às pás de mudança de velocidades UP (= 2) e DOWN (= 1) do volante.

Com este volante, a chapa de mudança de velocidades SEQUENCIAL (+/-) da alavanca de velocidades TH8A funciona com todos os jogos de corridas de automóveis para o PC compatíveis com o volante.

- Alguns jogos permitem-lhe utilizar duas alavancas de velocidades em simultâneo:
Uma alavanca de velocidades TH8A com uma chapa de mudança de velocidades H (7+1), ligada à porta USB™ do PC
- + Uma alavanca de velocidades com uma chapa de mudança de velocidades SEQUENCIAL (+/-), ligada à parte posterior do volante

* No PC, a alavanca de velocidades Thrustmaster é compatível com:

- todos os jogos que suportam MULTI-USB e alavancas de velocidades.
- todos os volantes do mercado.

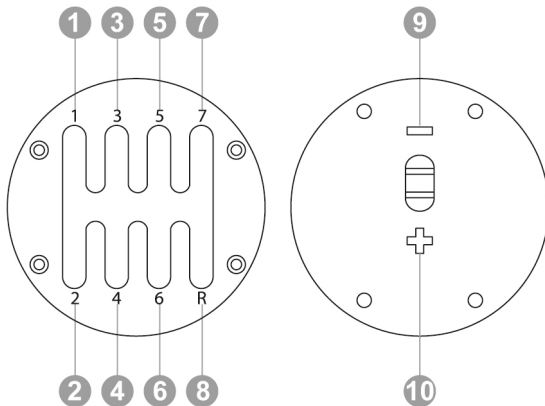
* Recomendamos que ligue o volante e a alavanca de velocidades TH8A diretamente às portas USB 2.0 (não USB 3.0) do PC, sem utilizar um concentrador USB.

* Em relação a alguns jogos para PC, **tem** de instalar as últimas atualizações disponíveis dos mesmos para que a alavanca de velocidades Thrustmaster funcione devidamente.

* Relativamente a alguns jogos para PC (a fim de evitar quaisquer conflitos entre o volante e a alavanca de velocidades), poderá ser necessário:

- não mapear nada nos pedais de mudança de velocidades do volante.
- ativar a função "Hold button for gear" (Premir botão para mudar velocidade).

MAPEAMENTO NO PC



PACOTE DE SOFTWARE

Há um "pacote de software" disponível aqui: <http://support.thrustmaster.com> (clique em Racing Wheels / TH8A Shifter / Controladores).

- Depois de instalar o pacote de software, poderá:

- * verificar a versão do firmware da alavanca de velocidades.
- * atualizar o firmware (se necessário) com a última versão disponível.
- * utilizar o "Método BOOTLOADER"
(para restaurar a alavanca de velocidades, na eventualidade de perda do firmware).
- * aceder a um Control Panel (controlador de jogos) personalizado no computador
- * no PC, desfrute do modo ANALÓGICO (travão de mão)

SOFTWARE DE CALIBRAGEM AVANÇADA

A calibragem da alavanca de velocidades TH8A é efetuada automaticamente.

Uma aplicação de software de calibragem avançada para o PC também está disponível aqui: <http://support.thrustmaster.com> (clique em Racing Wheels / TH8A Shifter / Software). Permite-lhe ajustar o curso da alavanca de velocidades ao seu gosto.

Uma vez concluídas as definições, são guardadas imediatamente na memória interna da alavanca de velocidades (e podem ser utilizadas na PS3™, PS4™, Xbox One e PC).

RESUMO DAS INSTRUÇÕES DE LIGAÇÃO DA ALAVANCA DE VELOCIDADES TH8A A VÁRIOS SISTEMAS

Ligar a alavanca de velocidades TH8A	
PS3™	Sempre(*) diretamente à PS3™ (USB)
PS4™	<u>Consoante o jogo ou o volante (*)</u> : - Diretamente ao sistema PS4™ (USB) - Ou à parte posterior do volante (DIN)
XBOX ONE	Sempre à parte posterior do volante (DIN)
PC	Sempre(*) diretamente ao PC (USB)

(*) Para mais informações relativamente a quaisquer exceções, consulte as secções **Recomendações importantes** nas páginas relevantes do manual.

ATENÇÃO

* Nunca ligue a alavanca de velocidades TH8A diretamente a qualquer outro dispositivo além de um volante Thrustmaster, mesmo que esse dispositivo possua um conector DIN idêntico. Isto poderá danificar a alavanca de velocidades TH8A ou o outro dispositivo.

RESOLUÇÃO DE PROBLEMAS

* A minha alavanca de velocidades não funciona corretamente ou parece estar mal calibrada:

- Desligue o computador ou a consola, desligue a alavanca de velocidades da corrente, volte a ligá-la e reinicie o jogo.

- No jogo, em "Options/Controller", selecione ou defina a configuração mais adequada.

- Consulte o manual do utilizador do jogo ou a ajuda online para mais informações.

- Há vários tópicos e sugestões de ajuda (não incluídos neste manual), uma lista de jogos compatíveis, etc., disponíveis no site <http://support.thrustmaster.com>. Clique em Racing Wheels / TH8A Shifter.

- Na Xbox One, para garantir a compatibilidade do seu volante Thrustmaster para a Xbox One com a alavanca de velocidades TH8A, poderá ser-lhe pedido para atualizar o firmware do volante com a mais recente versão disponível via PC aqui: <http://support.thrustmaster.com> (clique em Racing Wheels / TH8A Shifter / Firmware).

INFORMAÇÕES SOBRE A GARANTIA PARA O CONSUMIDOR

A Guillemot Corporation S.A., com sede social sita em Place du Granier, B.P. 97143, 35571 Chantepele, França (a seguir designada como “Guillemot”) garante a nível mundial ao consumidor que este produto Thrustmaster está livre de defeitos em termos de materiais e fabrico durante um período de garantia que corresponde ao limite de tempo para intentar uma ação de conformidade relativamente a este produto. Nos países da União Europeia, isto corresponde a um período de dois (2) anos desde a entrega do produto Thrustmaster. Noutros países, o período de garantia corresponde ao limite de tempo para intentar uma ação de conformidade relativamente ao produto Thrustmaster de acordo com a legislação em vigor do país no qual o consumidor residia à data de compra do produto Thrustmaster (se a dita ação não existir no país correspondente, então o período de garantia será de um (1) ano a partir da data de compra original do produto Thrustmaster.

No caso de o produto apresentar algum defeito durante o período da garantia, contacte imediatamente o Suporte Técnico, que lhe indicará o procedimento a tomar. Se esse defeito se confirmar, o produto terá de ser devolvido ao respetivo local de compra (ou qualquer outro local indicado pelo Suporte Técnico).

No âmbito da presente garantia, e por opção do Suporte Técnico, o produto defeituoso do consumidor será substituído ou reparado. Se, durante o período da garantia, o produto Thrustmaster for submetido à dita reparação, qualquer período mínimo de (7) dias durante o qual o produto estiver fora de serviço será adicionado ao período da garantia restante (este período decorre desde a data do pedido intervenção pelo consumidor ou desde a data em que o produto em questão é disponibilizado para reparação, se a data em que o produto é disponibilizado para reparação for posterior à data do pedido de intervenção). Se for permitido pela legislação em vigor, a responsabilidade total da Guillemot e das respetivas filiais (incluindo para danos indiretos) está limitada à reparação ou à substituição do produto Thrustmaster. Se for permitido pela legislação em vigor, a Guillemot rejeita todas as garantias de comercialização ou adequação a um fim específico.

A presente garantia não se aplicará: (1) se o produto tiver sido modificado, aberto, alterado ou danificado em resultado de utilização inadequada ou abusiva, negligência, acidente, desgaste normal ou qualquer outra causa relacionada com um defeito de material ou fabrico (incluindo, mas sem limitação, combinar o produto Thrustmaster com qualquer elemento inadequado, incluindo, em particular, fontes de alimentação, baterias recarregáveis, carregadores ou quaisquer outros elementos não fornecidos pela Guillemot para este produto); (2) se o produto tiver sido utilizado fora do âmbito da utilização doméstica, incluindo para fins profissionais ou comerciais (salas de jogos, treino e competições, por exemplo); (3) na eventualidade de incumprimento das instruções fornecidas pelo Suporte Técnico; (4) a software, estando o mesmo sujeito a uma garantia específica; (5) a consumíveis (elementos para substituir ao longo da vida útil do produto: baterias descartáveis, auscultadores de áudio ou auriculares de auscultadores, por exemplo); (6) a acessórios (cabos, estojos, bolsas, sacos e correias de pulso, por exemplo); (7) se o produto foi vendido num leilão público.

A presente garantia não é transmissível.

Os direitos legais do consumidor no que concerne à legislação aplicável à venda de bens de consumo no seu país não são afetados pela presente garantia.

Disposições de garantia adicionais

Durante o período da garantia, a Guillemot não fornecerá, em princípio, quaisquer peças de substituição, uma vez que o Suporte Técnico é a única parte autorizada a abrir e/ou reparar qualquer produto Thrustmaster (à exceção de quaisquer procedimentos de reparação que o Suporte Técnico possa pedir ao consumidor para realizar, através de instruções por escrito – por exemplo, devido à simplicidade e à falta de confidencialidade do processo de reparação – e fornecendo ao consumidor a(s) peça(s) de substituição necessária(s), quando aplicável).

Tendo em conta os seus ciclos de inovação, e a fim de proteger o seu know-how e segredos comerciais, a Guillemot não fornecerá, em princípio, qualquer notificação de reparação ou peças de substituição para produtos Thrustmaster cujo período da garantia tenha expirado.

Responsabilidade

Se for permitido ao abrigo da legislação aplicável, a Guillemot Corporation S.A. (a seguir designada "Guillemot") e as respetivas filiais rejeitam qualquer responsabilidade por danos resultantes de uma ou mais das seguintes causas: (1) o produto foi modificado, aberto ou alterado; (2) incumprimento das instruções de montagem; (3) utilização inadequada ou abusiva, negligência ou acidente (um impacto, por exemplo); (4) desgaste normal; (5) utilização do produto fora do âmbito além da utilização doméstica, incluindo para fins profissionais ou comerciais (salas de jogos, treino e competições, por exemplo). Se for permitido ao abrigo da legislação aplicável, a Guillemot e as respetivas filiais rejeitam qualquer responsabilidade por danos relacionados com um defeito de material ou fabrico relativamente ao produto (incluindo, mas sem limitação, quaisquer danos causados direta ou indiretamente por qualquer software ou por combinar o produto Thrustmaster com qualquer elemento inadequado, incluindo, em particular, fontes de alimentação, baterias recarregáveis, carregadores ou quaisquer outros elementos não fornecidos pela Guillemot para este produto).

THRUSTMASTER®

SUPOORTE TÉCNICO

<http://support.thrustmaster.com>



DIREITOS DE AUTOR

© 2017 Guillemot Corporation S.A. Todos os direitos reservados. Thrustmaster® é uma marca registada da Guillemot Corporation S.A. Todas as outras marcas comerciais são pertencem aos respectivos proprietários. As ilustrações não são vinculativas. Os conteúdos, desenhos e especificações estão sujeitos a alteração sem aviso prévio e podem variar de país para país. Fabricado na China.

RECOMENDAÇÕES DE PROTECÇÃO AMBIENTAL



Na União Europeia: Quando este produto chegar ao fim da sua vida útil, não o elimine juntamente com os resíduos domésticos normais; em vez disso, deixe-o num ponto de recolha de resíduos de equipamento eléctrico e electrónico (REEE) para posterior reciclagem.

O símbolo presente no produto, no manual de utilizador ou na caixa confirma-o.

Os materiais podem ser reciclados, dependendo das suas características. Através da reciclagem e de outras formas de processamento de resíduos de equipamento eléctrico e electrónico, pode dar um importante contributo no sentido de ajudar a proteger o ambiente.

Contacte as autoridades locais para saber onde fica o ponto de recolha mais perto da sua área de residência.

Relativamente a todos os outros países: Respeite a legislação local sobre a reciclagem de equipamento eléctrico e electrónico.

Informações a reter. As cores e as decorações podem variar.

Os fechos e os adesivos devem ser removidos do produto antes da utilização.

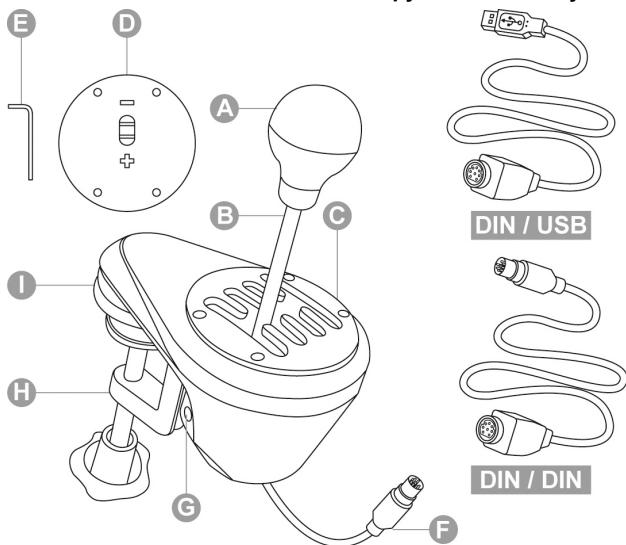
www.thrustmaster.com

**Aplicável apenas à União Europeia e Turquia*



PlayStation®3 — PlayStation®4 — Xbox One — ПК

Инструкция по эксплуатации



ТЕХНИЧЕСКИЕ ХАРАКТЕРИСТИКИ

A Съемная рукоятка рычага переключения передач

(по умолчанию не установлена)

B Рычаг

C Регулируемая направляющая пластина типа Н (7+1) *(по умолчанию установлена)*

D Регулируемая секвенционная направляющая пластина (+/-) *(по умолчанию не установлена)*

E 6-гранный ключ 2,5 мм (в комплекте)

F Кабель и разъем DIN

G Внутренний натяжной винт

H Регулируемый зажим

I Резьбовые отверстия для установки на кокпит

DIN/USB Съемный кабель DIN/USB

DIN/DIN Съемный кабель DIN/DIN

ВНИМАНИЕ!

Перед эксплуатацией данного изделия внимательно ознакомьтесь с настоящей инструкцией. Сохраните инструкцию для дальнейшего использования.



Внимание — опасность поражения электрическим током!

- * Изделие следует хранить в сухом месте, избегая попадания на него пыли и солнечного света.
- * Следует соблюдать направление подключения разъемов.
- * Не допускается перекручивание разъемов и кабелей; кабели нельзя тянуть.
- * Не допускается попадание жидкости на изделие и его разъемы.
- * Не допускается короткое замыкание в цепи изделия.
- * Запрещается разбирать изделие, кроме как в целях регулировки, описанной в настоящем руководстве; нельзя сжигать изделие и подвергать его воздействию высоких температур.



Внимание — риск травмирования по причине многократно повторяющихся движений!

Игра с использованием переключателя передач может привести к возникновению мышечных и суставных болей. Советы по предотвращению проблем со здоровьем:

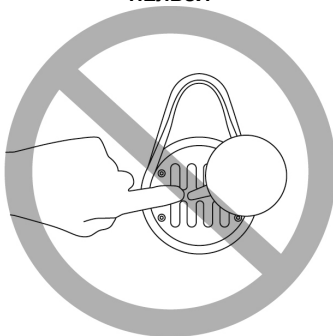
- * старайтесь не играть слишком долго;
- * после каждого часа игры делайте 10-15-минутный перерыв;
- * если в кистях, запястьях или предплечьях появилась усталость или боль, прекратите игру и отдохните в течение нескольких часов, прежде чем снова приступить к игре;
- * если вышеуказанные признаки проявляются снова при возвращении к игре, прекратите игру и обратитесь к врачу;
- * база рычага переключения должна быть надежна закреплена, как описано в настоящей инструкции.



Внимание – риск защемления в щелях направляющей пластины!

- * Храните изделие вне доступа детей.
- * Во время игры ни в коем случае не вставляйте пальцы (или иные части тела) в отверстия на направляющей пластины.

НЕЛЬЗЯ



УСТАНОВКА РУКОЯТКИ РЫЧАГА ПЕРЕКЛЮЧЕНИЯ ПЕРЕДАЧ

1. Рукоятка (А) накручивается на рычаг (В) по часовой стрелке.
2. Для скручивания рукоятки ее следует поворачивать против часовой стрелки.



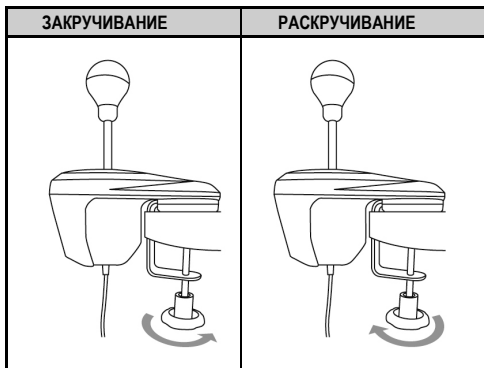
ЗАКРЕПЛЕНИЕ ПЕРЕКЛЮЧАТЕЛЯ ПЕРЕДАЧ

Система крепления оптимизирована для любого типа опоры:

- **столы и полки** толщиной от 1 до 55 мм — крепление с помощью зажима (Н);
- **кабины пилотов (кокпиты)** — крепление с помощью резьбовых отверстий на базе (зажим снимается).

Закрепление переключателя передач на столе

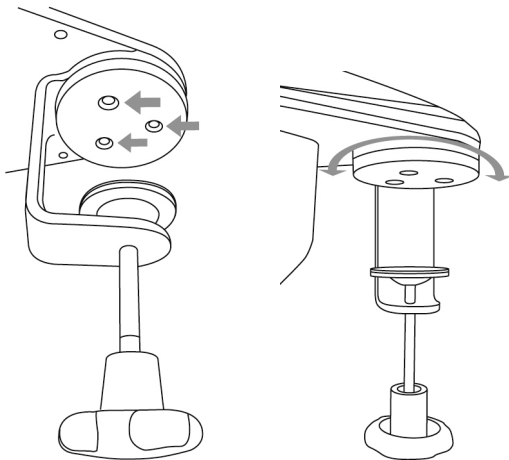
1. Расположите выступающий край переключателя на столе или иной плоской поверхности.
2. Для затягивания поверните ручку зажима против часовой стрелки.
3. Для ослабления поверните ручку зажима по часовой стрелке.



Изменение положения зажима (возможен поворот на 360°)

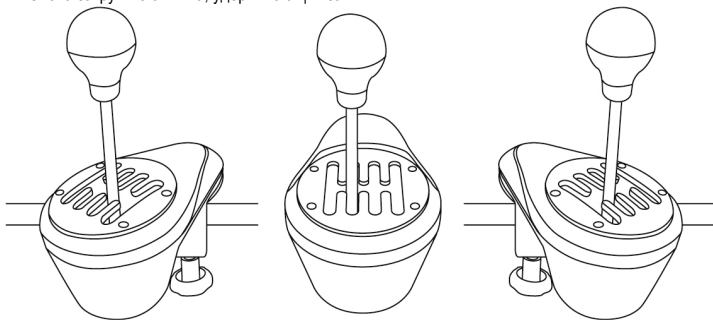
1. С помощью шестигранного ключа 2,5 мм (**E**) слегка раскрутите 3 фиксирующих винта на зажиме (**H**).

Зажим (а значит, и весь переключатель) можно повернуть вручную на 360°.



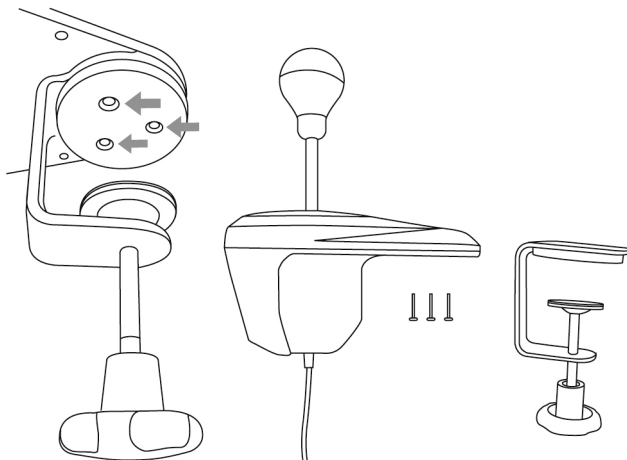
2. Выберите нужное положение переключателя (ниже показаны 3 примера из множества различных вариантов).

Снова закрутите 3 винта, удерживающих зажим.

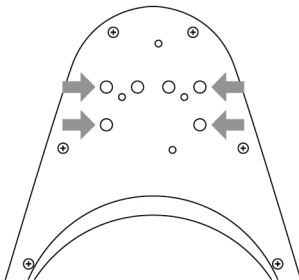


Закрепление переключателя передач на кокпите

1. С помощью шестигранного ключа 2,5 мм (E) полностью раскрутите и снимите 3 фиксирующих винта на зажиме (H). Снимите зажим с переключателя.



2. После удаления зажима закрутите 2 винта М6 (не входят в комплект) на панели кокпита и ввинтите их в 2 из 4 небольших резьбовых отверстий (I) на нижней стороне выступающей части переключателя.



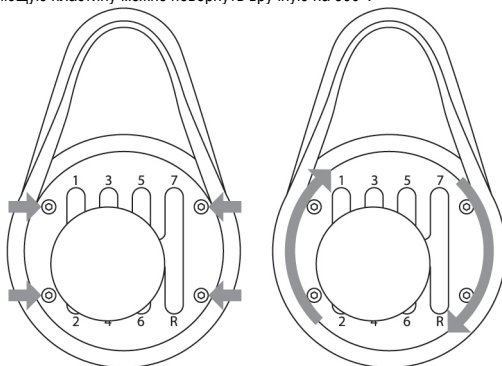
Не используйте слишком длинные винты М6, которые могут проткнуть и повредить верхнюю сторону выступающей части переключателя.

Шаблон для монтажа переключателя на кокпите можно найти на сайте <http://support.thrustmaster.com> (Выберите Гоночные рули / TH8A Shifter, затем Инструкция по эксплуатации).

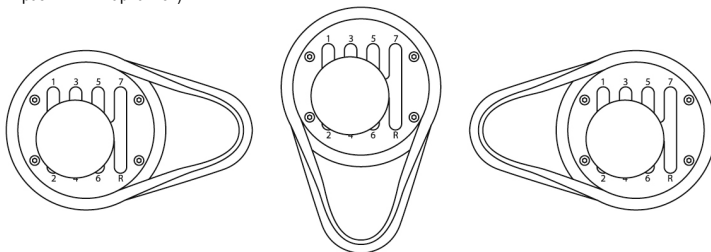
ИЗМЕНЕНИЕ ПОЛОЖЕНИЯ НАПРАВЛЯЮЩИХ ПЛАСТИН (ВОЗМОЖЕН ПОВОРОТ НА 360°)

1. С помощью шестигранного ключа 2,5 мм (**E**) слегка раскрутите 4 фиксирующих винта на направляющей пластине (**C или D**).

Направляющую пластину можно повернуть вручную на 360°.



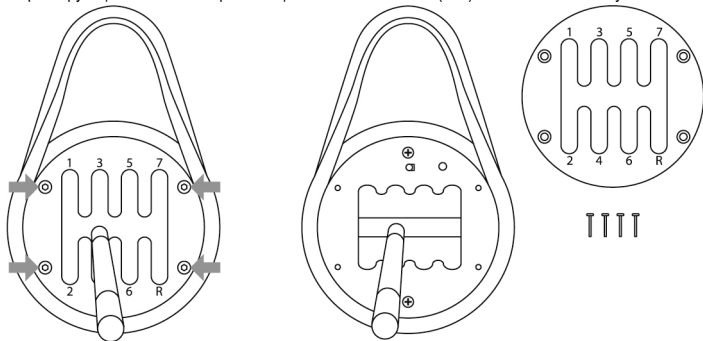
2. Выберите нужное положение переключателя (ниже показаны 3 примера из множества различных вариантов).



3. Снова закрутите 4 винта, удерживающих направляющую пластину.

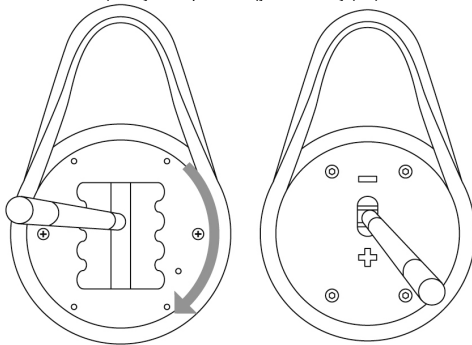
ЗАМЕНА НАПРАВЛЯЮЩЕЙ ПЛАСТИНЫ ТИПА «Н (7+1)» НА СЕКВЕНЦИОННУЮ ПЛАСТИНУ (+/-)

1. Открутите рукоятку рычага переключения (против часовой стрелки) и снимите ее (А).
2. С помощью шестигранного ключа 2,5 мм (Е) полностью раскрутите и снимите 4 фиксирующих винта на направляющей пластине типа «Н (7+1)». Снимите пластину.

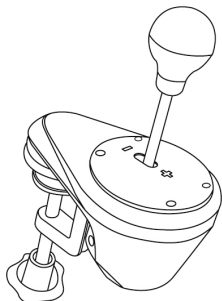


**Во время этой процедуры не уроните случайно
винт внутрь механизма переключателя.**

3. Вручную поверните внутреннюю конструкцию на 90° вправо (по часовой стрелке).
Затем установите секвенционную направляющую пластину (+/-).

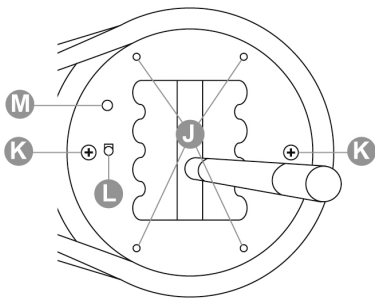


4. С помощью шестигранного ключа 2,5 мм (**E**) до конца закрутите 4 фиксирующих винта на секвенционной направляющей пластине (+/-). Снова накрутите рукоятку на рычаг переключения (по часовой стрелке).



Для установки направляющей пластины типа «Н (7+1)» повторите указанные действия в обратном порядке.

Примечания по верхней крышке внутренней конструкции:



J: 4 резьбовых отверстия для крепления направляющей пластины (**C или D**).

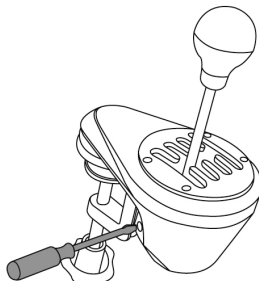
K: 2 фиксирующих винта внутренней конструкции (не раскручивайте их).

L: Кнопка автоматического распознавания типа направляющей пластины (**C или D**). Эта кнопка **автоматически** нажимается при установке секвенционной пластины (+/-). Во избежание проблем с обнаружением необходимо соблюдать чистоту этой зоны.

M: Отверстие для удобства позиционирования направляющей пластины.

РЕГУЛИРОВКА СОПРОТИВЛЕНИЯ РЫЧАГА ПЕРЕКЛЮЧЕНИЯ ПЕРЕДАЧ

- * Относится только к направляющей пластине типа «Н (7+1)».
- * Перед выполнением регулировки направляющую пластину типа «Н (7+1)» **следует** установить в исходное положение (см. рис. ниже).



1. Возьмите большую шлицевую отвертку и приложите ее к головке внутреннего натяжного винта (G), расположенного в нижней левой части корпуса переключателя.
2. Для постепенного увеличения сопротивления поворачивайте винт по часовой стрелке.
3. Для постепенного уменьшения сопротивления поворачивайте винт против часовой стрелки.

УВЕЛИЧЕНИЕ СОПРОТИВЛЕНИЯ	УМЕНЬШЕНИЕ СОПРОТИВЛЕНИЯ

2 полных оборота составляют весь диапазон между двумя крайними значениями сопротивления.



Во избежание повреждения системы:

- прекратите закручивать винт, когда почувствуете сильное сопротивление;
- прекратите раскручивать винт, если рычаг начал шататься.

ИНСТРУКЦИИ ПО НАСТРОЙКЕ ДЛЯ ИГРОВЫХ КОНСОЛЕЙ

PLAYSTATION®3

= Для всех игр для PS3™: обязательно подключать (*) переключатель TH8A напрямую к одному из USB-портов консоли PS3™ (НЕ к базе руля Thrustmaster).

- Подключите разъем DIN переключателя TH8A к кабелю DIN/USB.
- Подключите переключатель TH8A к одному из USB-портов консоли PS3™.
- Запустите игру.

Затем можно использовать переключатель TH8A с направляющей пластиной ТИПА «Н» (7+1) или СЕКВЕНЦИОННОЙ (+/-).

(*) **Важные рекомендации для системы PS3™** (только в случае использования гоночного руля Thrustmaster со встроенным разъемом для переключателя)

- При использовании переключателя TH8A с СЕКВЕНЦИОННОЙ направляющей (+/-) его можно также подключить к задней стороне рулевого колеса с помощью съемного кабеля с разъемами DIN/DIN. При этом переключатель TH8A подключается к лепестковым переключателям UP (= R1) и DOWN (= L1) на руле.

При использовании такого гоночного руля переключатель TH8A с СЕКВЕНЦИОННОЙ направляющей (+ /-) совместим со всеми гоночными играми для PS3™, поддерживающими данную рулевую систему.

- В некоторых играх можно использовать два переключателя TH8A одновременно:
 - один переключатель TH8A с направляющей ТИПА «Н» (7+1), подключенный к USB-порту консоли PS3™,
 - + один переключатель TH8A с СЕКВЕНЦИОННОЙ НАПРАВЛЯЮЩЕЙ (+/-), подключенный к задней стороне руля.

* Список игр для PS3™, совместимых с переключателем TH8A, можно найти здесь:

<http://support.thrustmaster.com> (Выберите Гоночные рули / TH8A Shifter, затем игры настройки). Этот список регулярно обновляется.

* Не рекомендуется использовать USB-концентратор с системой PS3™ при подключении к консоли рулевой системы или переключателя TH8A; устройства следует подключать напрямую к USB-портам консоли PS3™.

* В некоторых играх для нормальной работы переключателя TH8A требуется установка свежих обновлений прошивки (игровая консоль должна быть подключена к Интернету).

В зависимости от игры для PS4™ и используемой рулевой системы:

= **подключите (*) переключатель TH8A напрямую к USB-порту консоли PS4™**

- Подключите разъем **DIN** переключателя TH8A к кабелю **DIN/USB**.
- Подключите переключатель TH8A к одному из USB-портов консоли PS4™.
- Запустите игру.

Затем можно использовать переключатель TH8A с направляющей пластиной ТИПА «Н» (7+1) или СЕКВЕНЦИОННОЙ (+/-).

или

= **подключите (*) переключатель TH8A напрямую к базе руля Thrustmaster**

(только при наличии встроенного разъема для переключателя на базе рулевого колеса Thrustmaster)

- Подключите разъем **DIN** переключателя TH8A к съемному кабелю **DIN/DIN**.
- Подключите переключатель TH8A к разъему для переключателя на задней стороне базы рулевого колеса.
- Подключите рулевую систему и запустите игру.

Затем можно использовать переключатель TH8A с направляющей пластиной ТИПА «Н» (7+1) или СЕКВЕНЦИОННОЙ (+/-).

(*) Важные рекомендации для системы PS4™ (только в случае использования гоночного руля Thrustmaster со встроенным разъемом для переключателя)

- При использовании переключателя TH8A с СЕКВЕНЦИОННОЙ направляющей (+/-) его можно также подключить к задней стороне рулевого колеса с помощью съемного кабеля с разъемами **DIN/DIN**. При этом переключатель TH8A подключается к лепестковым переключателям UP (= R1) и DOWN (= L1) на руле.

При использовании такого гоночного руля переключатель TH8A с СЕКВЕНЦИОННОЙ направляющей (+/-) совместим со всеми гоночными играми для PS4™, поддерживающими данную рулевую систему.

- В некоторых играх можно **использовать два переключателя TH8A одновременно**:
 - один переключатель TH8A с направляющей ТИПА «Н» (7+1), подключенный к USB-порту консоли PS4™,
 - + один переключатель TH8A с СЕКВЕНЦИОННОЙ НАПРАВЛЯЮЩЕЙ (+/-), подключенный к задней стороне руля.

* Список игр для PS4™, совместимых с переключателем TH8A, и соответствующие инструкции по подключению (*) (зависят от конкретной игры) можно найти здесь: <http://support.thrustmaster.com> (Выберите Гоночные рули / TH8A Shifter, затем игры настройки). Этот список регулярно обновляется.

* Не рекомендуется использовать USB-концентратор с системой PS4™ при подключении рулевой системы или переключателя TH8A; устройства следует подключать напрямую к USB-портам консоли PS4™.

* В некоторых играх для нормальной работы переключателя TH8A требуется установка свежих обновлений прошивки (игровая консоль должна быть подключена к Интернету).

XBOX ONE

= Для всех игр для Xbox One: обязательно подключать переключатель TH8A напрямую к базе рулевого колеса Thrustmaster (НИ В КОЕМ СЛУЧАЕ не к USB-порту игровой консоли).

- Подключите разъем DIN переключателя TH8A к съемному кабелю DIN/DIN.
- Подключите переключатель TH8A к разъему для переключателя на задней стороне базы рулевого колеса.
- Подключите рулевую систему и запустите игру.

Затем можно использовать переключатель TH8A с направляющей пластиной ТИПА «Н» (7+1) или СЕКВЕНЦИОННОЙ (+/-).

Важное примечание относительно консоли Xbox One

При использовании переключателя TH8A с СЕКВЕНЦИОННОЙ направляющей (+/-), переключатель подключается к лепестковым переключателям UP (= RB) и DOWN (= LB) на руле.

При использовании переключателя TH8A с СЕКВЕНЦИОННОЙ направляющей (+/-) он совместим со всеми гоночными играми для Xbox One, поддерживающими рулевую систему Thrustmaster для Xbox One..

* Список игр для Xbox One, совместимых с переключателем TH8A, можно найти здесь:

<http://support.thrustmaster.com> (Выберите Гоночные рули / TH8A Shifter, затем игры настройки). Этот список регулярно обновляется.

* В некоторых играх для нормальной работы переключателя TH8A требуется установка свежих обновлений прошивки (игровая консоль должна быть подключена к Интернету).



Для обеспечения совместимости рулевой системы Thrustmaster для Xbox One с переключателем TH8A может потребоваться обновление прошивки рулевой системы до последней версии, которую можно загрузить с помощью ПК с сайта: <http://support.thrustmaster.com> (Выберите Гоночные рули / TH8A Shifter, затем Прошивка).

ИНСТРУКЦИИ ПО НАСТРОЙКЕ ДЛЯ ПК

= Для всех игр для ПК(*): обязательно подключать переключатель TH8A напрямую к USB-порту ПК.

- Подключите разъем DIN переключателя TH8A к DIN/USB-кабелю.
- Подключите переключатель TH8A к одному из USB-портов ПК.
- Подключенный к ПК переключатель TH8A представляет собой устройство типа Plug & Play, он автоматически распознается и устанавливается.
- Затем устройство отображается в виде T500 RS Gear Shift в списке устройств на Панели управления Windows®.
- Щелкните «Свойства» для проверки и знакомства с функциями устройства.
- Запустите игру.

Теперь все готово для игры!

(* Важные рекомендации для ПК (только в случае использования гоночного руля Thrustmaster с разъемом для переключателя)

- При использовании переключателя TH8A с СЕКВЕНЦИОННОЙ направляющей (+/-) его можно также подключить к задней стороне рулевого колеса с помощью съемного кабеля с разъемами DIN/DIN. При этом переключатель TH8A подключается в лепестковым переключателям UP (= 2) и DOWN (= 1) на руле.

При использовании такого гоночного руля переключатель TH8A с СЕКВЕНЦИОННОЙ направляющей (+ /-) совместим со всеми гоночными играми для ПК, поддерживающими данную рулевую систему.

- В некоторых играх можно использовать два переключателя TH8A одновременно: один переключатель TH8A с направляющей ТИПА «Н» (7+1), подключенный к USB-порту ПК, + один переключатель TH8A с СЕКВЕНЦИОННОЙ НАПРАВЛЯЮЩЕЙ (+/-), подключенный к задней стороне руля.

* На ПК рычаг переключения передач Thrustmaster совместим:

- со всеми играми с поддержкой MULTI-USB и переключателей;
- со всеми имеющимися на рынке рулевыми системами.

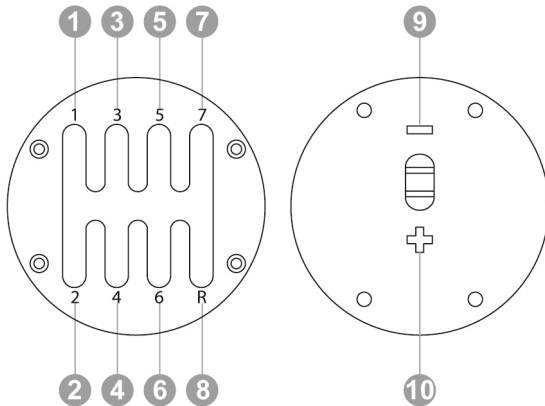
* Рекомендуется подключать рулевую систему и переключатель непосредственно к портам USB 2.0 (не USB 3.0) на ПК, без использования USB-концентратора.

* Некоторые игры на ПК требуют установки последних обновлений для нормальной работы рычага переключения передач Thrustmaster.

* Для некоторых игр на ПК (во избежание конфликтов между рулевой системой и переключателем) может потребоваться выполнение следующих условий:

- отсутствие проекций на систему управления рычага переключения рулевой системы;
- включение функции «удержания кнопки для переключения передач».

СОПОСТАВЛЕНИЕ ФУНКЦИЙ НА ПК



ПРОГРАММНЫЙ ПАКЕТ

Пакет ПО можно загрузить с сайта: <http://support.thrustmaster.com> (Выберите Гоночные рули / TH8A Shifter, затем Драйверы).

- После установки пакета ПО можно выполнять следующие действия:

- * определять версию прошивки переключателя;
- * обновлять прошивку по мере необходимости до последней версии;
- * использовать программу загрузки (для восстановления прошивки переключателя в случае ее утраты);
- * пользоваться оптимизированной Панелью управления (игровой контроллер) на ПК.
- * на ПК можно воспользоваться АНАЛОГОВЫМ режимом (ручной тормоз)

РАСШИРЕННОЕ ПО ДЛЯ КАЛИБРОВКИ

Калибровка системы переключения передач TH8A выполняется автоматически.

Расширенное ПО для калибровки для ПК можно также загрузить с сайта: <http://support.thrustmaster.com> (Выберите Гоночные рули / TH8A Shifter, затем Программное обеспечение). С помощью этого ПО можно отрегулировать ход рычага переключения передач в соответствии со своими предпочтениями.

После выполнения настроек они сразу же сохраняются во встроенную память системы переключения передач (и могут быть использованы на PS3™, PS4™, Xbox One и ПК).

СВОДНАЯ СПРАВКА ПО ПОДКЛЮЧЕНИЮ ПЕРЕКЛЮЧАТЕЛЯ TH8A К РАЗЛИЧНЫМ СИСТЕМАМ

Подключите переключатель TH8A	
PS3™	Только (*) непосредственно к консоли PS3™ (USB)
PS4™	<u>В зависимости от игры и модели рулевой системы (*)</u> : - напрямую к системе PS4™ (USB); - или к задней стороне базы руля (DIN)
XBOX ONE	- Только к задней стороне базы руля (DIN)
ПК	Только (*) непосредственно к ПК (USB)

(*) *Подробнее о любых исключениях см. в разделах **Важные рекомендации** на соответствующих страницах данного руководства.*

ВНИМАНИЕ!

* Ни в коем случае не подключайте переключатель TH8A напрямую к какому-либо устройству, кроме рулевой системы Thrustmaster, даже если такое устройство оснащено аналогичным разъемом DIN. В результате такого действия возможно повреждение переключателя TH8A или второго устройства.

УСТРАНЕНИЕ НЕПОЛАДОК

* Переключатель не работает должным образом или кажется неверно откалиброванным:

- выключите компьютер или консоль, отключите переключатель, подключите его снова и перезагрузите игру;
- в игре, в разделе «Параметры/Контроллер» выберите оптимальную конфигурацию;
- для получения дополнительных сведений обратитесь к инструкции по эксплуатации или к Интернет-справке;

- различные справочные разделы и рекомендации (не представленные в настоящей инструкции), список совместимых игр и пр. можно найти на веб-сайте <http://support.thrustmaster.com>. Выберите Гоночные рули / TH8A Shifter.

- На системе Xbox One: для обеспечения совместимости рулевой системы Thrustmaster для Xbox One с переключателем TH8A может потребоваться обновление прошивки рулевой системы до последней версии, которую можно загрузить с помощью ПК с сайта: <http://support.thrustmaster.com> (Выберите Гоночные рули / TH8A Shifter / Прошивка).

Сведения о потребительской гарантии

Корпорация Guillemot Corporation S.A., зарегистрированная по адресу Place du Granier, B.P. 97143, 35571 Chantepie, Франция, (далее — «Guillemot») гарантирует своим клиентам во всем мире, что в данном изделии Thrustmaster не будет выявлено никаких дефектов материалов и производства в течение гарантийного периода, который равен сроку предъявления претензии по соответствию для данного изделия. В странах Европейского Союза этот срок соответствует двум (2) годам с момента поставки изделия Thrustmaster. В других странах гарантийный период равен сроку предъявления претензии по соответствию для изделия Thrustmaster, определяемому соответствующим законодательством страны, в которой проживал потребитель на момент приобретения изделия Thrustmaster (если подобные претензии не действуют в соответствующей стране, гарантийный период равняется одному (1) году с первоначальной даты приобретения изделия Thrustmaster).

В случае обнаружения дефектов изделия во время гарантийного периода незамедлительно обратитесь в службу технической поддержки, сотрудники которой определят дальнейшую процедуру. Если дефект будет подтвержден, изделие следует вернуть по месту приобретения (или в любое другое место, указанное службой технической поддержки).

В рамках действия гарантии дефектное изделие будет, по усмотрению службы технической поддержки, заменено или возвращено в рабочее состояние. Если в течение гарантийного срока изделие Thrustmaster будет подвержено такому восстановлению, к оставшемуся гарантийному сроку прибавляется период времени, но не менее семи (7) дней, во время которого изделие находилось вне употребления (началом этого периода считается дата запроса покупателя о вмешательстве или дата предоставления дефектного изделия для восстановления, если изделие было предоставлено для восстановления позднее, чем был сделан запрос о вмешательстве). В мере, разрешенной применимым законодательством, полная ответственность компании Guillemot и ее дочерних компаний (в том числе косвенный ущерб) ограничивается восстановлением рабочего состояния или заменой изделия Thrustmaster. В мере, разрешенной применимым законодательством, компания Guillemot отказывается от любых гарантий коммерческой пригодности или пригодности для определенной цели.

Настоящая гарантия не распространяется: (1) на ситуации, когда изделие было видоизменено, открыто, модифицировано или получило повреждения в результате недопустимого или неправильного использования, небрежности или несчастного случая, естественного износа или любой другой причины, не связанной с дефектом материалов или производства (включая, помимо прочего, использование изделия Thrustmaster совместно с любыми неподходящими элементами, в частности — с блоками питания, аккумуляторами, зарядными устройствами и любыми другими элементами, не входящими в комплектацию Guillemot для данного изделия); (2) на случаи использования продукта в любых целях, кроме бытовых, в том числе на случаи профессионального или коммерческого применения (например, в игровых залах, для проведения обучения и соревнований); (3) на ситуации, когда указания службы технической поддержки не были выполнены; (4) на ПО, так как на такое ПО распространяется отдельная гарантия; (5) на расходные материалы (элементы, предназначенные для замены в течение срока службы изделия: например, батарейки и ушные подушки для гарнитуры или наушников); (6) на аксессуары (например, кабели, чехлы, сумки, футляры, наручные ремешки); (7) на случаи продажи изделия с открытого аукциона. Данная гарантия не подлежит передаче.

Настоящая гарантия не ущемляет прав потребителя, предоставляемых ему применимыми законами в отношении продажи потребительских товаров в соответствующей стране.

Дополнительные условия гарантии

В течение гарантийного срока компания Guillemot, в общем и целом, не предоставляет никаких запасных частей, так как вскрытие и/или модификацию любых изделий Thrustmaster вправе осуществлять только служба технической поддержки (за исключением каких-либо процедур по модификации, которые служба технической поддержки может предложить выполнить клиенту путем письменных инструкций и предоставления, при необходимости, требуемых запасных частей: например, в связи с отсутствием статуса сложности или конфиденциальности у такой восстановительной процедуры).

С учетом периода освоения новых изделий и в целях защиты своих ноу-хау и коммерческих тайн компания Guillemot, в общем и целом, не предоставляет каких-либо уведомлений о восстановлении или запасных частей для любых изделий Thrustmaster с истекшим гарантийным сроком.

Ответственность

В мере, разрешенной применимым законодательством, компания Guillemot Corporation S.A. (далее — «Guillemot») и ее дочерние предприятия отказываются от любой ответственности за любой ущерб, вызванный одним или несколькими из следующих факторов: (1) изменение, вскрытие или модификация изделия; (2) несоблюдение инструкций по сборке; (3) недопустимое или неправильное использование, небрежность, несчастный случай (например, физическое воздействие); (4) естественный износ; (5) использование продукта в любых целях, кроме бытовых, в том числе профессиональное или коммерческое применение (например, в игровых залах, для проведения обучения и соревнований). В мере, разрешенной применимым законодательством, компания Guillemot и ее дочерние предприятия отказываются от любой ответственности за любой ущерб, не связанный с дефектами материалов или изготовления, в отношении данного изделия (включая, помимо прочего, любой ущерб, вызванный прямо или опосредованно любым программным обеспечением или использованием изделия Thrustmaster с любыми неподходящими элементами, в частности — блоками питания, аккумуляторами, зарядными устройствами и любыми другими элементами, не входящими в комплектацию Guillemot для данного изделия).

THRUSTMASTER®

ТЕХНИЧЕСКОЙ ПОДДЕРЖКИ

<http://support.thrustmaster.com>



АВТОРСКОЕ ПРАВО

© 2017 Guillemot Corporation S.A. Все права защищены. Thrustmaster® является зарегистрированной торговой маркой Guillemot Corporation. Все прочие торговые марки являются собственностью соответствующих владельцев. Иллюстрации могут не соответствовать внешнему виду/функциям конкретного изделия. Содержание руководства, конструкция и технические характеристики изделия изменяются без предварительного уведомления и зависят от страны приобретения.

При использовании изделия учитывайте следующее: цвета и дизайн могут различаться. Пластиковые стяжки и клейкую ленту следует снять перед использованием изделия.

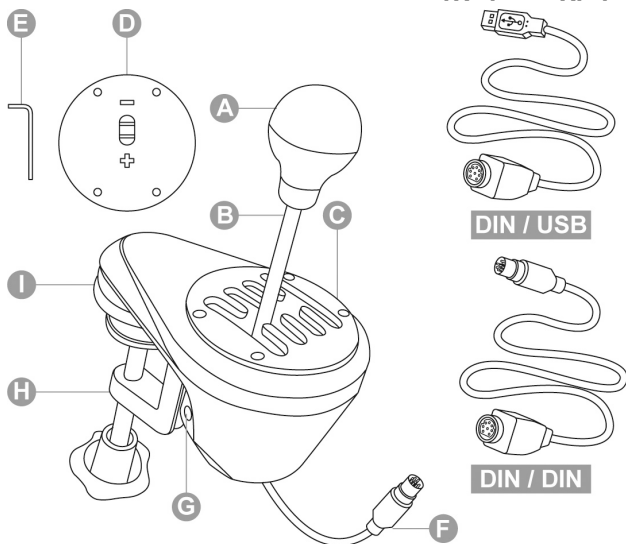
www.thrustmaster.com

EAC



PlayStation®3 – PlayStation®4 – Xbox One – PC

Εγχειρίδιο χρήσης



ΤΕΧΝΙΚΑ ΧΑΡΑΚΤΗΡΙΣΤΙΚΑ

A Αφαιρούμενη λαβή μοχλού ταχυτήτων
(δεν εγκαθίσταται από προεπιλογή)

B Μοχλός χειρισμού

C Προσαρμόσιμη επιφάνεια διαδρομής μοχλού ταχυτήτων σε διάταξη «H» (7+1)
(εγκαθίσταται από προεπιλογή)

D Προσαρμόσιμη επιφάνεια διαδρομής μοχλού ταχυτήτων σε «Σειριακή» διάταξη (+/-)
(δεν εγκαθίσταται από προεπιλογή)

E Κλειδί άλεν 2,5 mm (περιλαμβάνεται)

F Καλώδιο και υποδοχή DIN

G Βίδα ρύθμισης εσωτερικής αντίστασης

H Προσαρμόσιμο σύστημα σύσφιξης

I «Σπειρώματα βιδώματος» για στερέωση στη θέση του οδηγού

DIN / USB Αποσπώμενο καλώδιο DIN / USB

DIN / DIN Αποσπώμενο καλώδιο DIN / DIN

ΠΡΟΕΙΔΟΠΟΙΗΣΗ

Πριν χρησιμοποιήσετε αυτό το προϊόν, πρέπει να διαβάσετε αυτό το εγχειρίδιο προσεκτικά. Φυλάξτε αυτό το εγχειρίδιο για μελλοντική αναφορά.



Προειδοποίηση – Ηλεκτροπληξία

- * Κρατήστε αυτό το προϊόν σε στεγνό μέρος και μην το εκθέτετε σε σκόνη ή στον ήλιο.
- * Να σέβεστε την κατεύθυνση εισαγωγής για τις υποδοχές.
- * Μην περιστρέφετε ή τραβάτε τις υποδοχές και τα καλώδια.
- * Μην ρίχνετε υγρό στο προϊόν ή τις υποδοχές του.
- * Μην βραχυκυκλώνετε το προϊόν.
- * Μην αποσυναρμολογείτε το προϊόν (εκτός από τις πιθανές προσαρμογές που περιγράφονται σε αυτό το εγχειρίδιο), μην επιχειρήσετε να κάψετε το προϊόν και μην εκθέτετε το προϊόν σε υψηλές θερμοκρασίες.



Προειδοποίηση – Τραυματισμοί λόγω επαναλαμβανόμενων κινήσεων

Το παιχνίδι με μοχλό ταχυτήτων ενδέχεται να προκαλέσει πόνο στους μύες και τις αρθρώσεις. Προς αποφυγή οποιονδήποτε προβλημάτων:

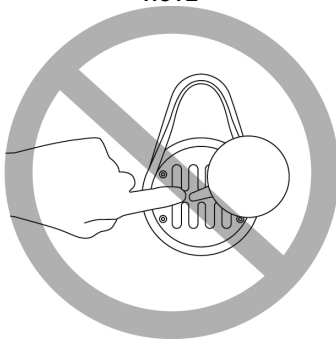
- * Αποφύγετε να παίζετε μεγάλα χρονικά διαστήματα.
- * Κάντε διάλειμμα για 10 έως 15 λεπτά μετά από κάθε ώρα παιχνιδιού.
- * Εάν νιώσετε κόπωση ή πόνο σε χέρια, καρπούς ή μπράτσα, σταματήστε το παιχνίδι και ξεκουραστείτε για μερικές ώρες πριν αρχίσετε να παίζετε ξανά.
- * Εάν τα συμπτώματα ή οι πόνοι που περιγράφηκαν παραπάνω συνεχίσουν όταν αρχίσετε ξανά το παιχνίδι, σταματήστε να παίζετε και επισκεφτείτε τον ιατρό σας.
- * Βεβαιωθείτε ότι η βάση του μοχλού ταχυτήτων έχει στερεωθεί σωστά, όπως περιγράφεται στις οδηγίες που βρίσκονται σε αυτό το εγχειρίδιο.



Προειδοποίηση – Κίνδυνος βλάβης στα ανοίγματα της επιφάνειας διαδρομής του μοχλού ταχυτήτων

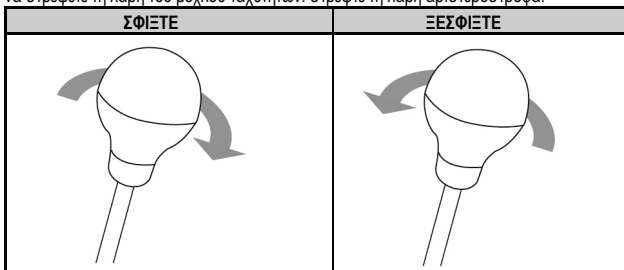
- * Κρατήστε το προϊόν μακριά από παιδιά.
- * Όταν παίζετε ένα παιχνίδι, ποτέ μην τοποθετείτε τα δάχτυλά σας (ή οποιαδήποτε άλλα μέρη του σώματός σας) στα ανοίγματα της επιφάνειας διαδρομής του μοχλού ταχυτήτων.

ΠΟΤΕ



ΜΗΝ ΕΓΚΑΘΙΣΤΑΤΕ ΤΗ ΛΑΒΗ ΤΟΥ ΜΟΧΛΟΥ ΤΑΧΥΤΗΤΩΝ

1. Για να βιδώσετε τη λαβή του μοχλού ταχυτήτων **(Α)** επάνω στον μοχλό **(Β)**: στρέψτε τη λαβή του μοχλού ταχυτήτων δεξιόστροφα.
2. Για να στρέψετε τη λαβή του μοχλού ταχυτήτων: στρέψτε τη λαβή αριστερόστροφα.



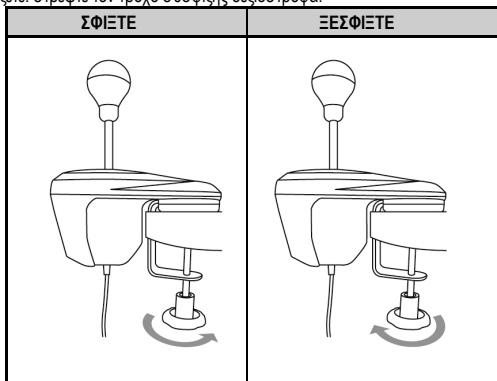
ΣΤΕΡΕΩΣΗ ΤΟΥ ΜΟΧΛΟΥ ΤΑΧΥΤΗΤΩΝ

Η στερέωση βελτιστοποιείται για οποιονδήποτε τύπο στήριξης:

- **Τραπέζια, γραφεία ή ράφια** πάχους από 1 έως 55 mm, μέσω του συστήματος σύσφιξης **(H)**.
- **Θέσεις οδηγού**, μέσω των ενσωματωμένων «σπειρώματα βιδώματος» (το σύστημα σύσφιξης είναι αφαιρούμενο).

Στερέωση του μοχλού ταχυτήτων σε τραπέζι ή γραφείο

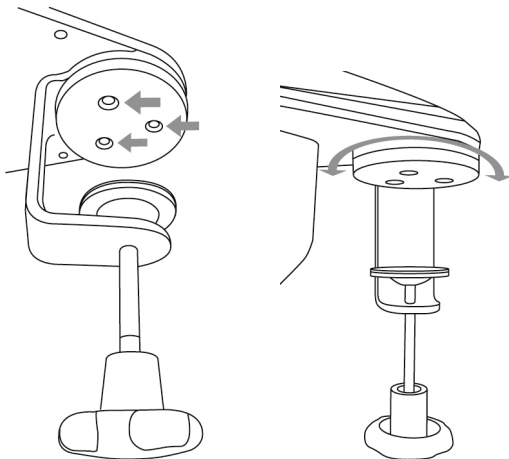
1. Τοποθετήστε το σημείο προσαρμογής του μοχλού ταχυτήτων σε τραπέζι ή κάποια άλλη επίπεδη επιφάνεια.
2. Για να σφίξετε: στρέψτε τον τροχό σύσφιξης αριστερόστροφα.
3. Για να ξεσφίξετε: στρέψτε τον τροχό σύσφιξης δεξιόστροφα.



Τοποθέτηση και περιστροφή του συστήματος σύσφιξης (επιδέχεται ρύθμιση κατά 360°)

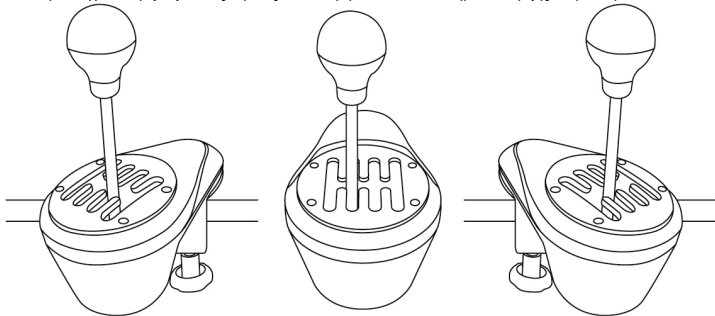
1. Με το κλειδί άλεν 2,5 mm που περιλαμβάνεται (**E**), ξεβιδώστε πολύ ελαφρά τις 3 βίδες που συγκρατούν το σύστημα σύσφιξης (**H**) στη θέση του.

Το σύστημα σύσφιξης (και επομένως, ολόκληρος ο μοχλός ταχυτήτων) μπορεί τώρα να περιστραφεί μη αυτόματα κατά 360°.



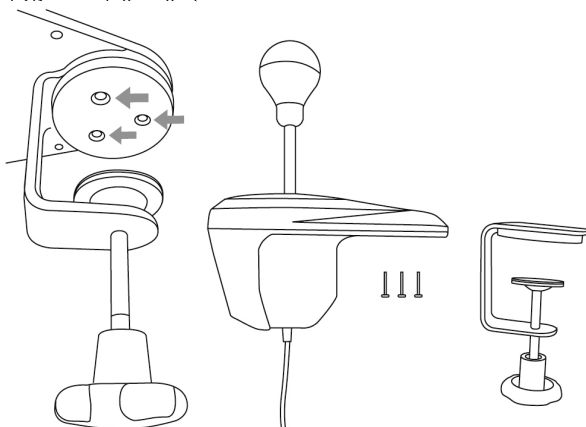
2. Επιλέξτε τη θέση που προτιμάτε μαζί με την περιστροφή των 360° (παρακάτω παρουσιάζονται 3 παραδείγματα, μαζί με τις πολλές διαθέσιμες δυνατότητες).

Στη συνέχεια, σφίξτε ξανά τις 3 βίδες που συγκρατούν το σύστημα σύσφιξης στη θέση του.

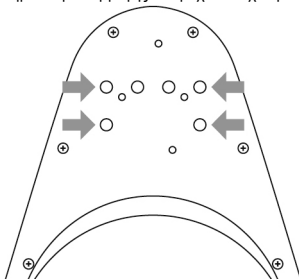


Στερέωση του μοχλού ταχυτήτων σε θέση οδηγού

1. Με το κλειδί άλεν 2,5 mm που περιλαμβάνεται (E), ξεβιδώστε εντελώς και αφαιρέστε τις 3 βίδες που συγκρατούν το σύστημα σύσφιξης (H) στη θέση του. Αποσυνδέστε το σύστημα σύσφιξης από τον μοχλό ταχυτήτων.



2. Αφού αφαιρέσετε το σύστημα σύσφιξης, βιδώστε τις 2 βίδες 2 «M6» (δεν περιλαμβάνονται) στην προεξοχή της θέσης του οδηγού και στα 2 από τα 4 μικρά «σπειρώματα βιδώματος» (I) που βρίσκονται κάτω από το σημείο προσαρμογής του μοχλού ταχυτήτων.

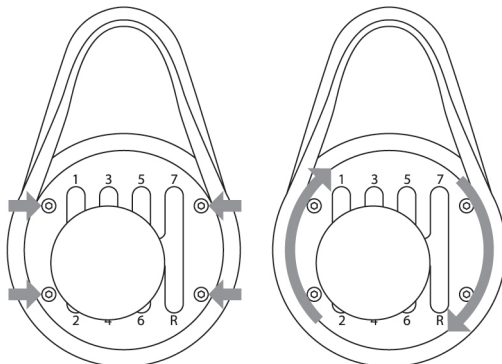


Σιγουρευτείτε ότι δεν χρησιμοποιείτε βίδες «M6» που είναι μακριές, οι οποίες ενδέχεται να τρυπήσουν και να προκαλέσουν ζημιά στο επάνω μέρος του σημείου προσαρμογής του μοχλού ταχυτήτων.

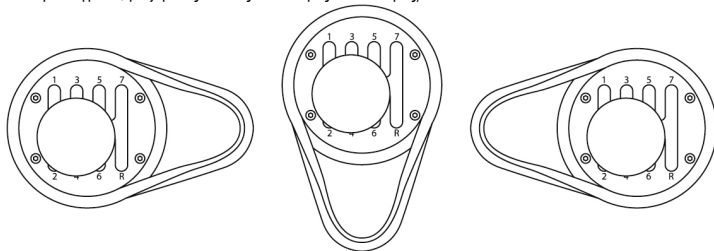
Θα βρείτε διαθέσιμη μια επιφάνεια στερέωσης του μοχλού ταχυτήτων στην ιστοσελίδα <http://support.thrustmaster.com> (κάντε κλικ στην επιλογή Racing Wheels (Τιμονιέρες) / TH8A Shifter, και μετά επιλέξτε Manual (Εγχειρίδιο))

ΤΟΠΟΘΕΤΗΣΗ ΚΑΙ ΠΕΡΙΣΤΡΟΦΗ ΤΩΝ ΕΠΙΦΑΝΕΙΩΝ ΔΙΑΔΡΟΜΗΣ ΤΟΥ ΜΟΧΛΟΥ ΤΑΧΥΤΗΤΩΝ (ΕΠΙΔΕΧΕΤΑΙ ΡΥΘΜΙΣΗ ΚΑΤΑ 360°)

1. Με το κλειδί άλεν 2,5 mm που περιλαμβάνεται **(Ε)**, **ξεβιδώστε ελαφρά** τις 4 βίδες που συγκρατούν την επιφάνεια διαδρομής του μοχλού ταχυτήτων **(C ή D)** στη θέση της. Τώρα η επιφάνεια διαδρομής του μοχλού ταχυτήτων μπορεί να περιστραφεί μη αυτόματα κατά 360°.



2. Επιλέξτε τη θέση που προτιμάτε μαζί με την περιστροφή των 360° (παρακάτω παρουσιάζονται 3 παραδείγματα, μαζί με τις πολλές διαθέσιμες δυνατότητες).

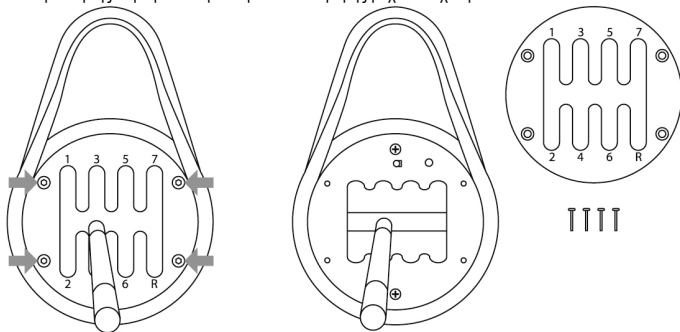


3. Σφίξτε ξανά τις 4 βίδες που συγκρατούν την επιφάνεια διαδρομής του μοχλού ταχυτήτων στη θέση της.

ΕΝΑΛΛΑΓΗ ΑΠΟ ΤΗΝ ΕΠΙΦΑΝΕΙΑ ΔΙΑΔΡΟΜΗΣ ΜΟΧΛΟΥ ΤΑΧΥΤΗΤΩΝ ΣΕ ΔΙΑΤΑΞΗ «Η» (7+1)

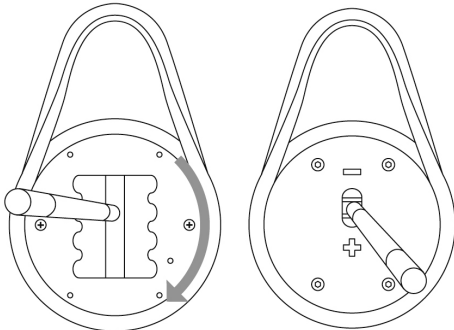
ΣΤΗΝ ΕΠΙΦΑΝΕΙΑ ΔΙΑΔΡΟΜΗΣ ΜΟΧΛΟΥ ΤΑΧΥΤΗΤΩΝ ΣΕ «ΣΕΙΡΙΑΚΗ» ΔΙΑΤΑΞΗ (+/-)

1. Ξεβιδώστε (αριστερόστροφα) και αφαιρέστε τη λαβή του μοχλού ταχυτήτων (Α).
2. Με το κλειδί άλεν 2,5 mm που περιλαμβάνεται (Ε), ξεβιδώστε εντελώς και αφαιρέστε τις 4 βίδες που συγκρατούν την επιφάνεια διαδρομής του μοχλού ταχυτήτων σε διάταξη «Η» (7+1) στη θέση της. Αφαιρέστε την επιφάνεια διαδρομής μοχλού ταχυτήτων.

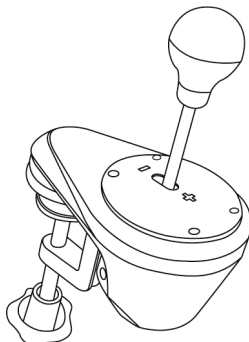


Κατά τη διάρκεια αυτής της διαδικασίας, προσέχετε να μην αφήσετε από λάθος οποιαδήποτε από τις βίδες να πέσει μέσα στον εσωτερικό μηχανισμό.

3. Περιστρέψτε μη αυτόματα την εσωτερική δομή 90° προς δεξιά (δεξιόστροφα). Στη συνέχεια, εγκαταστήστε την επιφάνεια διαδρομής του μοχλού ταχυτήτων σε «Σειριακή» διάταξη (+/-).

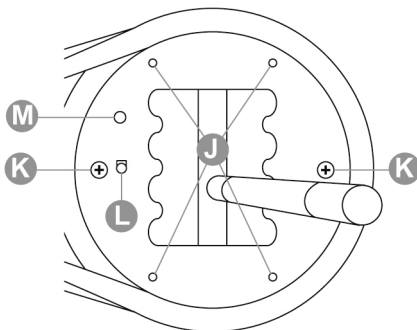


4. Με το κλειδί άλεν 2,5 mm που περιλαμβάνεται (E), αντικαταστήστε και βιδώστε ξανά μέχρι να τερματίσουν τις 4 βίδες που συγκρατούν την επιφάνεια διαδρομής του μοχλού ταχυτήτων σε «Σειριακή» διάταξη (+/-) στη θέση της. Βιδώστε πάλι επάνω τη λαβή του μοχλού ταχυτήτων (δεξιόστροφα).



Διεξάγετε αυτήν τη διαδικασία αντίστροφα για να αντικαταστήσετε την επιφάνεια διαδρομής μοχλού ταχυτήτων σε διάταξη «H» (7+1).

Σημειώσεις σχετικά με το επάνω κάλυμμα της εσωτερικής διάταξης:



J: 4 «σπειρώματα βιδώματος» για να προσαρτήσετε τις επιφάνειες διαδρομής του μοχλού ταχυτήτων (**C ή D**).

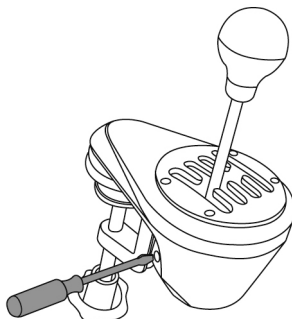
K: 2 βίδες που συγκρατούν την εσωτερική δομή στη θέση της (μην τις ξεβιδώσετε).

L: Κουμπί που εντοπίζει αυτόματα τον τύπο της επιφάνειας διαδρομής του μοχλού ταχυτήτων που χρησιμοποιείται (**C ή D**). Αυτό το κουμπί πιέζεται **αυτόματα** κατά την εγκατάσταση της επιφάνειας διαδρομής του μοχλού ταχυτήτων σε «Σειριακή» διάταξη (+/-). Διατηρείται αυτήν την περιοχή καθαρή για να αποφύγετε οποιαδήποτε προβλήματα εντοπισμού.

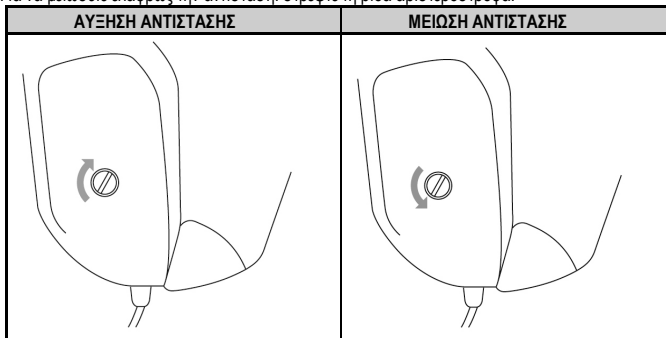
M: Υποδοχή για πιο εύκολη τοποθέτηση των επιφανειών διαδρομής του μοχλού ταχυτήτων.

ΠΡΟΣΑΡΜΟΓΗ ΤΗΣ ΑΝΤΙΣΤΑΣΗΣ ΤΟΥ ΜΟΧΛΟΥ ΤΑΧΥΤΗΤΩΝ

- * Ισχύει μόνο για την επιφάνεια διαδρομής του μοχλού ταχυτήτων σε διάταξη «H» (7+1).
- * Πριν προβείτε σε οποιασδήποτε προσαρμογές, **πρέπει** να εγκαταστήσετε την επιφάνεια διαδρομής του μοχλού ταχυτήτων σε διάταξη «H» (7+1) στην αρχική της θέση (δείτε στο παρακάτω διάγραμμα).



1. Με ένα μεγάλο ίσιο καταβίδι, τοποθετήστε το καταβίδι μέσα στην κεφαλή της βίδας ρύθμισης εσωτερικής αντίστασης (G) που βρίσκεται στο κάτω τμήμα του περιβλήματος του μοχλού ταχυτήτων.
2. Για να αυξήσετε ελαφρώς την αντίσταση: στρέψτε τη βίδα δεξιόστροφα.
3. Για να μειώσετε ελαφρώς την αντίσταση: στρέψτε τη βίδα αριστερόστροφα.



2 πλήρεις στροφές αρκούν για να μεταβείτε από τη μία κατάσταση στην άλλη.



Για να αποφύγετε να προκαλέσετε ζημιά στο σύστημα:

- Σταματήστε να σφίγγετε τη βίδα όταν νιώσετε μεγάλη αντίσταση.
- Σταματήστε να ξεσφίγγετε τη βίδα, εάν ο μοχλός χαλαρώσει και ταλαντεύεται.

ΟΔΗΓΙΕΣ ΕΓΚΑΤΑΣΤΑΣΗΣ ΓΙΑ ΚΟΝΣΟΛΕΣ ΠΑΙΧΝΙΔΙΩΝ

PLAYSTATION®3

= Με όλα τα παιχνίδια για PS3™, να συνδέετε πάντα(*) τον μοχλό ταχυτήτων TH8A απευθείας σε μία από τις θύρες USB της κονσόλας PS3™ (OXI στη βάση της τιμονιέρας της Thrustmaster).

- Συνδέστε την υποδοχή DIN του μοχλού ταχυτήτων TH8A με το καλώδιο DIN / USB.
- Συνδέστε τον μοχλό ταχυτήτων TH8A σε μία από τις θύρες USB της κονσόλας PS3™.
- Ξεκινήστε το παιχνίδι.

Ο μοχλός ταχυτήτων TH8A μπορεί να λειτουργήσει ή με επιφάνεια διαδρομής σε ΔΙΑΤΑΞΗ «H» (7+1) ή σε ΣΕΙΡΙΑΚΗ διάταξη (+/-).

(*) Σημαντικές συστάσεις για το σύστημα PS3™ (ισχύουν μόνο αν χρησιμοποιείτε τιμονιέρα της Thrustmaster με ενσωματωμένη υποδοχή για μοχλό ταχυτήτων)

- Όταν χρησιμοποιείτε την επιφάνεια διαδρομής του μοχλού ταχυτήτων TH8A σε ΣΕΙΡΙΑΚΗ (+/-) διάταξη, μπορείτε επίσης να συνδέσετε τον μοχλό ταχυτήτων στο πίσω μέρος της τιμονιέρας χρησιμοποιώντας το αποσπώμενο καλώδιο DIN / DIN. Τότε ο μοχλός ταχυτήτων TH8A είναι συνδεδεμένος με τα πεντάλ αλλαγής ταχυτήτων UP (ΠΑΝΩ) (= R1) και DOWN (ΚΑΤΩ) (= L1) της τιμονιέρας.

Με αυτήν την τιμονιέρα, η επιφάνεια διαδρομής σε ΣΕΙΡΙΑΚΗ (+/-) διάταξη του μοχλού ταχυτήτων TH8A λειτουργεί αποκλειστικά 100% με παιχνίδια αγώνων ταχύτητας για το PS3™ που είναι συμβατά με την τιμονιέρα.

- Μερικά παιχνίδια σάς παρέχουν τη δυνατότητα να χρησιμοποιήσετε δύο μοχλούς ταχυτήτων TH8A ταυτόχρονα:

Έναν μοχλό ταχυτήτων TH8A με επιφάνεια διαδρομής σε ΔΙΑΤΑΞΗ «H» (7+1), ο οποίος είναι συνδεδεμένος στη θύρα USB™ του PS3™

+ Έναν μοχλό ταχυτήτων TH8A με επιφάνεια διαδρομής σε ΣΕΙΡΙΑΚΗ (+/-) διάταξη, ο οποίος είναι συνδεδεμένος στο πίσω μέρος της τιμονιέρας

* Εδώ θα βρείτε διαθέσιμη μια λίστα με παιχνίδια για PS3™ που είναι συμβατά με τον μοχλό ταχυτήτων TH8A:

<http://support.thrustmaster.com> (κάντε κλικ στην επιλογή Racing Wheels / TH8A Shifter, και μετά επιλέξτε Games settings). Αυτή η λίστα ανανεώνεται τακτικά.

* Στα συστήματα PS3™, συνιστούμε να μην χρησιμοποιείτε διανομέα (hub) USB όταν συνδέετε την τιμονιέρα ή τον μοχλό ταχυτήτων TH8A στην κονσόλα παιχνιδιών. Συνδέστε τη συσκευή απευθείας στις θύρες USB του PS3™.

* Σε μερικά παιχνίδια είναι απαραίτητο να εγκαταστήσετε τις τελευταίες διαθέσιμες ενημερώσεις για τον μοχλό ταχυτήτων TH8A ώστε να λειτουργεί σωστά (η κονσόλα παιχνιδιών πρέπει να είναι συνδεδεμένη στο internet).

Ανάλογα με το παιχνίδι που παίζετε στο PS4™ ή το τιμόνι που χρησιμοποιείτε:

= Συνδέστε (*) τον μοχλό ταχυτήτων TH8A απευθείας στη θύρα USB του PS4™

- Συνδέστε την υποδοχή DIN του μοχλού ταχυτήτων TH8A με το καλώδιο DIN / USB.

- Συνδέστε τον μοχλό ταχυτήτων TH8A σε μία από τις θύρες USB του PS4™.

- Ξεκινήστε το παιχνίδι.

Ο μοχλός ταχυτήτων TH8A μπορεί να λειτουργήσει ή με επιφάνεια διαδρομής σε ΔΙΑΤΑΞΗ «H» (7+1) ή σε ΣΕΙΡΙΑΚΗ διάταξη (+/-).

ή

= Συνδέστε (*) τον μοχλό ταχυτήτων TH8A απευθείας στη βάση της τιμονιέρας της Thrustmaster

(ισχύει μόνο αν η τιμονιέρα της Thrustmaster διαθέτει ενσωματωμένη υποδοχή για μοχλό ταχυτήτων)

- Συνδέστε την υποδοχή DIN του μοχλού ταχυτήτων TH8A με το αποσπώμενο καλώδιο DIN / DIN.

- Συνδέστε τον μοχλό ταχυτήτων TH8A στην υποδοχή για μοχλό ταχυτήτων που βρίσκεται στο πίσω μέρος της βάσης της τιμονιέρας.

- Συνδέστε την τιμονιέρα, μετά ξεκινήστε το παιχνίδι.

Ο μοχλός ταχυτήτων TH8A μπορεί να λειτουργήσει ή με επιφάνεια διαδρομής σε ΔΙΑΤΑΞΗ «H» (7+1) ή σε ΣΕΙΡΙΑΚΗ διάταξη (+/-).

(*) Σημαντικές συστάσεις για το σύστημα PS4™ (ισχύουν μόνο αν χρησιμοποιείτε τιμονιέρα της Thrustmaster με ενσωματωμένη υποδοχή για μοχλό ταχυτήτων)

- Όταν χρησιμοποιείτε την επιφάνεια διαδρομής του μοχλού ταχυτήτων TH8A σε ΣΕΙΡΙΑΚΗ (+/-) διάταξη, μπορείτε επίσης να συνδέσετε τον μοχλό ταχυτήτων στο πίσω μέρος της τιμονιέρας χρησιμοποιώντας το αποσπώμενο καλώδιο DIN / DIN. Τότε ο μοχλός ταχυτήτων TH8A είναι συνδεδεμένος με τα πεντάλ αλλαγής ταχυτήτων UP (ΠΑΝΩ) (= R1) και DOWN (ΚΑΤΩ) (= L1) της τιμονιέρας.

Με αυτήν την τιμονιέρα, η επιφάνεια διαδρομής σε ΣΕΙΡΙΑΚΗ (+/-) διάταξη του μοχλού ταχυτήτων TH8A λειτουργεί αποκλειστικά 100% με παιχνίδια αγώνων ταχύτητας για το PS4™ που είναι συμβατά με την τιμονιέρα.

- Μερικά παιχνίδια σάς παρέχουν τη δυνατότητα να χρησιμοποιήσετε δύο μοχλούς ταχυτήτων TH8A ταυτόχρονα:

Έναν μοχλό ταχυτήτων TH8A με επιφάνεια διαδρομής σε ΔΙΑΤΑΞΗ «H» (7+1), ο οποίος είναι συνδεδεμένος στη θύρα USB™ του PS4™

+ Έναν μοχλό ταχυτήτων TH8A με επιφάνεια διαδρομής σε ΣΕΙΡΙΑΚΗ (+/-) διάταξη, ο οποίος είναι συνδεδεμένος στο πίσω μέρος της τιμονιέρας

* *Εδώ θα βρείτε διαθέσιμη μια λίστα με παιχνίδια για PS4™ που είναι συμβατά με τον μοχλό ταχυτήτων TH8A και τις σχετικές οδηγίες σύνδεσης (*) (που ποικίλλουν ανάλογα με το παιχνίδι):*

<http://support.thrustmaster.com> (κάντε κλικ στην επιλογή Racing Wheels / TH8A Shifter, και μετά επιλέξτε Games settings). Αυτή η λίστα ανανεώνεται τακτικά.

* Στα συστήματα PS4™, συνιστούμε να μην χρησιμοποιείτε διανομέα (hub) USB όταν συνδέετε την τιμονιέρα ή τον μοχλό ταχυτήτων TH8A. Συνδέστε τη συσκευή απευθείας στις θύρες USB του PS4™.

* Σε μερικά παιχνίδια είναι απαραίτητο να εγκαταστήσετε τις τελευταίες διαθέσιμες ενημερώσεις για τον μοχλό ταχυτήτων TH8A ώστε να λειτουργεί σωστά (η κονσόλα παιχνιδιών πρέπει να είναι συνδεδεμένη στο internet).

XBOX ONE

= Με όλα τα παιχνίδια για Xbox One, να συνδέετε πάντα τον μοχλό ταχυτήτων TH8A απευθείας στη βάση της τιμονιέρας της Thrustmaster (ΠΟΤΕ στη θύρα USB της κονσόλας παιχνιδιών).

- Συνδέστε την υποδοχή DIN του μοχλού ταχυτήτων TH8A με το αποσπώσιμο καλώδιο DIN / DIN.
- Συνδέστε τον μοχλό ταχυτήτων TH8A στην υποδοχή για μοχλό ταχυτήτων που βρίσκεται στο πίσω μέρος της βάσης της τιμονιέρας. - Συνδέστε την τιμονιέρα, μετά ξεκινήστε το παιχνίδι.
Ο μοχλός ταχυτήτων TH8A μπορεί να λειτουργήσει ή με επιφάνεια διαδρομής σε ΔΙΑΤΑΞΗ «H» (7+1) ή σε ΣΕΙΡΙΑΚΗ διάταξη (+/-).

Σημαντική σημείωση για το Xbox One:

Όταν χρησιμοποιείτε την επιφάνεια διαδρομής σε ΣΕΙΡΙΑΚΗ (+/-) διάταξη του μοχλού ταχυτήτων TH8A, ο μοχλός ταχυτήτων είναι συνδεδεμένος με τα πεντάλ αλλαγής ταχυτήτων UP (ΠΑΝΩ) (= RB) και DOWN (ΚΑΤΩ) (= LB) της τιμονιέρας.

Όταν χρησιμοποιείτε την επιφάνεια διαδρομής σε ΣΕΙΡΙΑΚΗ (+/-) διάταξη του μοχλού ταχυτήτων TH8A, ο μοχλός ταχυτήτων TH8A λειτουργεί αποκλειστικά 100% με παιχνίδια αγώνων ταχύτητας για Xbox One που είναι συμβατά με την τιμονιέρα της Thrustmaster.

* Εδώ θα βρείτε διαθέσιμη μια λίστα με παιχνίδια για Xbox One που είναι συμβατά με τον μοχλό ταχυτήτων TH8A:

<http://support.thrustmaster.com> (κάντε κλικ στην επιλογή Racing Wheels / TH8A Shifter, και μετά επιλέξτε Games settings). Αυτή η λίστα ανανεώνεται τακτικά.

* Σε μερικά παιχνίδια είναι απαραίτητο να εγκαταστήσετε τις τελευταίες διαθέσιμες ενημερώσεις για τον μοχλό ταχυτήτων TH8A ώστε να λειτουργεί σωστά (η κονσόλα παιχνιδιών πρέπει να είναι συνδεδεμένη στο internet).



Για να διασφαλίσετε τη συμβατότητα της τιμονιέρας της Thrustmaster για σύστημα Xbox One με τον μοχλό ταχυτήτων TH8A, ίσως χρειαστεί να ενημερώσετε το υλικολογισμικό της τιμονιέρας με την τελευταία διαθέσιμη έκδοση μέσω PC εδώ: <http://support.thrustmaster.com> (στην ενότητα «Updates and downloads (κάντε κλικ στην επιλογή Racing Wheels / TH8A Shifter, και μετά επιλέξτε Firmware)»).

ΟΔΗΓΙΕΣ ΕΓΚΑΤΑΣΤΑΣΗΣ ΓΙΑ ΥΠΟΛΟΓΙΣΤΗ

= Με όλα τα παιχνίδια για PC(*), να συνδέετε πάντα τον μοχλό ταχυτήτων TH8A απευθείας σε μία από τις θύρες USB του PC.

- Συνδέστε την υποδοχή DIN του μοχλού ταχυτήτων TH8A με το καλώδιο DIN / USB.
- Συνδέστε τον μοχλό ταχυτήτων TH8A σε μία από τις θύρες USB του PC.
- Όταν συνδέσετε σε PC, ο μοχλός ταχυτήτων TH8A θεωρείται ως συσκευή Plug & Play και εντοπίζεται και εγκαθίσταται αυτόματα.
- Τότε η συσκευή εμφανίζεται στον πίνακα ελέγχου των Windows® ως «Μοχλός ταχυτήτων T500 RS Gear».
- Πατήστε στην επιλογή «Ιδιότητες» για να δοκιμάσετε και να δείτε τις δυνατότητες της συσκευής.
- Ξεκινήστε το παιχνίδι.

Τώρα είστε έτοιμοι για τον αγώνα!

(* **Σημαντικές συστάσεις για PC** (ισχύουν μόνο αν χρησιμοποιείτε τιμονιέρα της Thrustmaster με ενσωματωμένη υποδοχή για μοχλό ταχυτήτων)

- Όταν χρησιμοποιείτε την επιφάνεια διαδρομής του μοχλού ταχυτήτων TH8A σε ΣΕΙΡΙΑΚΗ (+/-) διάταξη, μπορείτε επίσης να συνδέσετε τον μοχλό ταχυτήτων στο πίσω μέρος της τιμονιέρας χρησιμοποιώντας το αποσπώμενο καλώδιο DIN / DIN. Τότε ο μοχλός ταχυτήτων TH8A είναι συνδεδεμένος με τα πεντάλ αλλαγής ταχυτήτων UP (ΠΑΝΩ) (= 2) και DOWN (ΚΑΤΩ) (= 1) της τιμονιέρας.

Με αυτήν την τιμονιέρα, η επιφάνεια διαδρομής σε ΣΕΙΡΙΑΚΗ (+ /-) διάταξη του μοχλού ταχυτήτων TH8A λειτουργεί αποκλειστικά 100% με παιχνίδια αγώνων ταχύτητας για PC που είναι συμβατά με την τιμονιέρα.

- Μερικά παιχνίδια σάς παρέχουν τη δυνατότητα να χρησιμοποιήσετε δύο μοχλούς ταχυτήτων TH8A ταυτόχρονα:

Έναν μοχλό ταχυτήτων TH8A με επιφάνεια διαδρομής σε ΔΙΑΤΑΞΗ «H» (7+1), ο οποίος είναι συνδεδεμένος στη θύρα USB™ του PC

+ Έναν μοχλό ταχυτήτων TH8A με επιφάνεια διαδρομής σε ΣΕΙΡΙΑΚΗ (+/-) διάταξη, ο οποίος είναι συνδεδεμένος στο πίσω μέρος της τιμονιέρας

* Σε PC, ο μοχλός ταχυτήτων της Thrustmaster είναι συμβατός με τα εξής:

- όλα τα παιχνίδια που υποστηρίζουν πολλαπλές ταυτόχρονες συνδέσεις USB και μοχλούς ταχυτήτων.

- όλες τις τιμονιέρες που κυκλοφορούν στην αγορά.

* Συνιστούμε να συνδέετε την τιμονιέρα σας και τον μοχλό ταχυτήτων TH8A απευθείας στις θύρες USB 2.0 του PC σας (όχι σε θύρες USB 3.0), χωρίς τη χρήση διανομέα (hub).

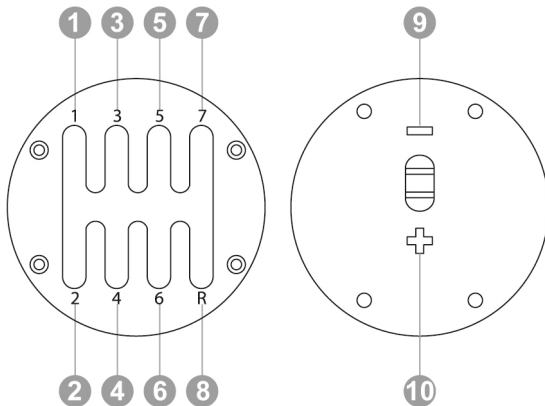
* Για μερικά παιχνίδια στο PC, **πρέπει** να εγκαταστήσετε τις τελευταίες διαθέσιμες ενημερώσεις παιχνιδιών ώστε να μπορεί να λειτουργήσει σωστά ο μοχλός ταχυτήτων της Thrustmaster.

* Για μερικά παιχνίδια σε PC (για να αποφύγετε τυχόν διενέξεις μεταξύ της τιμονιέρας και του μοχλού ταχυτήτων), ενδέχεται να είναι απαραίτητα τα εξής:

- να μην αντιστοιχείτε τίποτα επάνω στα πεντάλ του μοχλού ταχυτήτων της τιμονιέρας.

- για να ενεργοποιήσετε τη λειτουργία «Κρατήστε παρατεταμένα το κουμπί για συντονισμό».

ΑΝΤΙΣΤΟΙΧΙΣΗ ΣΕ PC



ΠΑΚΕΤΟ ΛΟΓΙΣΜΙΚΟΥ

Θα βρείτε διαθέσιμο ένα «πακέτο λογισμικού» εδώ: <http://support.thrustmaster.com>. Κάντε κλικ στην επιλογή Racing Wheels / TH8A Shifter, και μετά επιλέξτε Drivers .

- Αφού εγκαταστήσετε το πακέτο λογισμικού, μπορείτε να προβείτε στις εξής ενέργειες:

- * να ελέγξετε την έκδοση υλικολογισμικού του μοχλού ταχυτήτων που διαθέτετε.
- * να ενημερώσετε το υλικολογισμικό (εάν απαιτείται) με την τελευταία διαθέσιμη έκδοση.
- * να χρησιμοποιήσετε τη μέθοδο «BOOTLOADER» (για να αποκαταστήσετε τον μοχλό ταχυτήτων σας, σε περίπτωση απώλειας του υλικολογισμικού).
- * να αποκτήσετε πρόσβαση σε ένα προσαρμοσμένο Πίνακα ελέγχου (ελεγκτής παιχνιδιού) σε PC.
- * σε PC, απολαύστε την ΑΝΑΛΟΓΙΚΗ λειτουργία (χειρόφρενο)

ΛΟΓΙΣΜΙΚΟ ΒΑΘΜΟΝΟΜΗΣΗΣ ΓΙΑ ΠΡΟΧΩΡΗΜΕΝΟΥΣ

Η βαθμονόμηση του μοχλού ταχυτήτων TH8A πραγματοποιείται αυτόματα.

Επίσης, εδώ θα βρείτε μια εφαρμογή για PC ενός λογισμικού βαθμονόμησης για προχωρημένους: <http://support.thrustmaster.com> (κάντε κλικ στην επιλογή Racing Wheels / TH8A Shifter, και μετά επιλέξτε Software). Αυτό το λογισμικό σας παρέχει τη δυνατότητα να ρυθμίσετε τη διαδρομή του μοχλού ταχυτήτων για τη δική σας διεύκλυνση.

Αφού ολοκληρωθούν οι ρυθμίσεις, αποθηκεύονται αμέσως στην εσωτερική μνήμη του μοχλού ταχυτήτων (και μπορείτε να τις χρησιμοποιήσετε σε PS3™, PS4™, Xbox One και PC).

ΣΥΝΟΠΤΙΚΕΣ ΟΔΗΓΙΕΣ ΓΙΑ ΣΥΝΔΕΣΗ ΤΟΥ ΜΟΧΛΟΥ ΤΑΧΥΤΗΤΩΝ TH8A ΣΕ ΔΙΑΦΟΡΑ ΣΥΣΤΗΜΑΤΑ

ENGLISH

FRANÇAIS

DEUTSCH

NEDERLANDS

ITALIANO

ESPAÑOL

PORTUGUÊS

РУССКИЙ

ΕΛΛΗΝΙΚΑ

TÜRKÇE

POLSKI

Συνδέστε το μοχλό ταχυτήτων TH8A	
PS3™	Πάντα (*) απευθείας με το PS3™ (USB).
PS4™	<u>Ανάλογα με το παιχνίδι ή την τιμονιέρα (*)</u> : - Ή απευθείας με το PS4™ (USB) - Ή στο πίσω μέρος της τιμονιέρας (DIN)
XBOX ONE	Πάντα στο πίσω μέρος της τιμονιέρας (DIN)
PC	Πάντα (*) απευθείας στο PC (USB).

(*) Για περισσότερες πληροφορίες σχετικά με οποιαδήποτε εξαίρεση, ανατρέξτε στις παραγράφους **Σημαντικές συστάσεις** που υπάρχουν στις σχετικές σελίδες του εγχειριδίου.

Προειδοποίηση

* Να μην συνδέετε ποτέ τον μοχλό ταχυτήτων TH8A απευθείας σε οποιαδήποτε συσκευή πέρα από κάποια τιμονιέρα της Thrustmaster, ακόμη κι αν η συσκευή διαθέτει όμοια υποδοχή DIN. Αυτό θα μπορούσε να προκαλέσει ζημιά στον μοχλό ταχυτήτων TH8A ή την άλλη συσκευή.

ΑΝΤΙΜΕΤΩΠΙΣΗ ΠΡΟΒΛΗΜΑΤΩΝ

* Ο μοχλός ταχυτήτων δεν λειτουργεί σωστά ή φαίνεται να μην έχει βαθμονομηθεί σωστά:

- Απενεργοποιήστε τον υπολογιστή ή την κονσόλα σας, αποσυνδέστε τον μοχλό ταχυτήτων, επανασυνδέστε το και στη συνέχεια, ξεκινήστε ξανά το παιχνίδι σας.
- Στο παιχνίδι σας, κάτω από την λίστα «Επιλογές/Ελεγκτής», επιλέξτε ή προβείτε στην κατάλληλη διαμόρφωση.
- Για περισσότερες πληροφορίες, ανατρέξτε στο εγχειρίδιο χρήσης του παιχνιδιού σας ή στην online βοήθεια.

- **Υπάρχουν πολλά θέματα για βοήθεια και συμβουλές** (δεν περιλαμβάνονται σε αυτό το εγχειρίδιο), μια λίστα με συμβατά παιχνίδια, κ.λπ. που θα τα βρείτε στον ιστότοπο <http://support.thrustmaster.com>. κάντε κλικ στην επιλογή Racing Wheels / TH8A Shifter.

- Στο σύστημα Xbox One, για να διασφαλίσετε τη συμβατότητα της τιμονιέρας της Thrustmaster για σύστημα Xbox One με τον μοχλό ταχυτήτων TH8A, ίσως χρειαστεί να ενημερώσετε το υλικολογισμικό της τιμονιέρας με την τελευταία διαθέσιμη έκδοση μέσω PC εδώ: <http://support.thrustmaster.com> (κάντε κλικ στην επιλογή Racing Wheels / TH8A Shifter, και μετά επιλέξτε Firmware).

Πληροφορίες εγγύησης καταναλωτή

Παγκοσμίως, η Guillemot Corporation S.A. της οποίας η εγγεγραμμένη έδρα είναι η οδός Place du Granier, B.P. 97143, 35571 Chanteprie, France (Γαλλία) (εφεξής "Guillemot") εγγυάται στον καταναλωτή ότι το προϊόν της Thrustmaster δεν παρουσιάζει ελάττωμα στο υλικό ούτε κατασκευαστικές ατέλειες για το χρονικό διάστημα της εγγύησης, το οποίο αντιστοιχεί στο χρονικό όριο για άσκηση αγωγής για συμμόρφωση αναφορικά με αυτό το προϊόν. Στις χώρες της Ε.Ε., αυτό αντιστοιχεί σε διάστημα δύο (2) ετών από την παράδοση του προϊόντος της Thrustmaster. Σε άλλες χώρες, η περίοδος εγγύησης αντιστοιχεί στο χρονικό όριο για άσκηση αγωγής για συμμόρφωση αναφορικά με το προϊόν της Thrustmaster σύμφωνα με την ισχύουσα νομοθεσία της χώρας στην οποία ο καταναλωτής διέμενε κατά την ημερομηνία αγοράς του προϊόντος της Thrustmaster (σε περίπτωση που δεν υπάρχει τέτοια ενέργεια στην αντίστοιχη χώρα, τότε η εγγύηση θα ισχύει για ένα (1) έτος από την αρχική ημερομηνία αγοράς του προϊόντος της Thrustmaster).

Σε περίπτωση που το προϊόν σας φαίνεται να είναι ελαττωματικό κατά την περίοδο της εγγύησης, επικοινωνήστε αμέσως με την Τεχνική υποστήριξη, η οποία θα υποδείξει την διαδικασία που θα ακολουθήσετε. Αν το ελάττωμα επιβεβαιωθεί, το προϊόν πρέπει να επιστραφεί στο σημείο αγοράς του (ή σε οποιοδήποτε άλλο σημείο υποδεικνύει η Τεχνική υποστήριξη).

Στα πλαίσια της εγγύησης, το ελαττωματικό προϊόν του καταναλωτή, με επιλογή της Τεχνικής υποστήριξης, είτε θα αντικατασταθεί είτε θα επιστραφεί και θα είναι σε κατάσταση λειτουργίας. Αν κατά τη διάρκεια της περιόδου εγγύησης το προϊόν της Thrustmaster υπόκειται σε τέτοιου είδους μετασκευή, οποιαδήποτε περίοδος τουλάχιστον επτά (7) ημερών κατά την οποία το προϊόν έχει τεθεί εκτός χρήσης θα προστεθεί στην εναπομένουσα περίοδο εγγύησης (αυτή η περίοδος ισχύει από την ημερομηνία του αιτήματος του καταναλωτή για παρέμβαση ή από την ημερομηνία κατά την οποία το εν λόγω προϊόν διατίθεται για μετασκευή, αν η ημερομηνία κατά την οποία το προϊόν διατίθεται για μετασκευή είναι επακόλουθη της ημερομηνίας του αιτήματος για παρέμβαση). Αν επιτρέπεται από την ισχύουσα νομοθεσία, η πλήρης ευθύνη της Guillemot και των θυγατρικών της (περιλαμβάνονται οι επακόλουθες ζημιές) περιορίζεται στην επιστροφή σε κατάσταση λειτουργίας ή την αντικατάσταση του προϊόντος της Thrustmaster. Αν επιτρέπεται από την ισχύουσα νομοθεσία, η Guillemot αποποιείται κάθε εγγύηση εμπορευσιμότητας ή καταλληλότητας για τον συγκεκριμένο σκοπό.

Η παρούσα εγγύηση δεν ισχύει: (1) αν το προϊόν έχει τροποποιηθεί, ανοιχτεί, μεταποιηθεί ή υποστεί βλάβη ως αποτέλεσμα ακατάλληλης ή κακής χρήσης, αμέλειας, ατυχήματος, φυσιολογικής φθοράς ή οποιασδήποτε άλλης αιτίας που δεν σχετίζεται με ελάττωμα στο υλικό ή κατασκευαστικό ελάττωμα (συμπεριλαμβανομένων, ενδεικτικά, συνδυάζοντας το προϊόν της Thrustmaster με οποιοδήποτε ακατάλληλο στοιχείο, συμπεριλαμβανομένων συγκεκριμένων παροχών ρεύματος, επαναφορτιζόμενων μπαταριών, φορτιστών ή άλλων στοιχείων που δεν παρέχονται από τη Guillemot για αυτό το προϊόν), (2) αν το προϊόν έχει χρησιμοποιηθεί για οποιαδήποτε άλλη χρήση πέρα από την οικιακή χρήση, συμπεριλαμβανομένης χρήσης για επαγγελματικούς ή εμπορικούς σκοπούς (για παράδειγμα, δωμάτια παιχνιδιών, εκπαίδευση, διαγωνισμό), (3) σε περίπτωση μη συμμόρφωσης με τις οδηγίες που παρέχονται από την Τεχνική υποστήριξη, (4) για λογισμικό, το εν λόγω λογισμικό υπόκειται σε συγκεκριμένη εγγύηση, (5) για αναλώσιμα (στοιχεία που πρόκειται να αντικατασταθούν από τη διάρκεια ζωής του προϊόντος: για παράδειγμα, μπαταρίες μίας χρήσης, καλύμματα αυτιών για σετ ακουστικών ή ακουστικά), (6) για αξεσουάρ (για παράδειγμα, καλώδια, περιβλήματα, θήκες, τσάντες, λουράκια καρπού), (7) αν το προϊόν πωληθεί σε δημοπρασία.

Η παρούσα εγγύηση δεν μεταβιβάζεται.

Τα νομικά δικαιώματα του καταναλωτή σε σχέση με την ισχύουσα νομοθεσία όσον αφορά την πώληση των καταναλωτικών ειδών στη χώρα του/της που δεν επηρεάζονται από την παρούσα εγγύηση.

Επιπλέον διατάξεις εγγύησης

Κατά την περίοδο εγγύησης, η Guillemot δεν θα διαθέσει, κατά βάση, κανένα ανταλλακτικό, καθώς Η Τεχνική υποστήριξη είναι ο μόνος συμβαλλόμενος εξουσιοδοτημένος να ανοίξει και/ή να μετασκευάσει οποιοδήποτε προϊόν της Thrustmaster (με εξαίρεση κάθε διαδικασία μετασκευής, την οποία η Τεχνική υποστήριξη μπορεί να ζητήσει να διεξάγει ο καταναλωτής, υπό τη μορφή γραπτών οδηγιών – για παράδειγμα, λόγω της απλούστευσης και της έλλειψης εμπιστευτικότητας της διαδικασίας μετασκευής – και παρέχοντας στον καταναλωτή το απαιτούμενο(α) ανταλλακτικό(ά), όπου είναι εφικτό).

Δεδομένου των κύκλων καινοτομιών και με σκοπό την προστασία της τεχνολογίας και των εμπορικών μυστικών, η Guillemot δεν παρέχει, κατά βάση, καμία ειδοποίηση περί μετασκευής ή ανταλλακτικών για κανένα προϊόν της Thrustmaster του οποίου η περίοδος εγγύησης έχει λήξει.

Ευθύνη

Αν επιτρέπεται από την ισχύουσα νομοθεσία, η Guillemot Corporation S.A. (εφεξής "Guillemot") και οι θυγατρικές της αποποιούνται κάθε ευθύνης για οποιαδήποτε ζημιά προκαλείται από ένα ή περισσότερα από τα ακόλουθα: (1) το προϊόν έχει τροποποιηθεί, ανοιχτεί ή μεταποιηθεί, (2) αποτυχία ως προς τη συμμόρφωση με τις οδηγίες συναρμολόγησης, (3) ακατάλληλη ή κακή χρήση, αμέλεια, ατύχημα (για παράδειγμα, πρόσκρουση), (4) φυσιολογική φθορά, (5) χρήση του προϊόντος για οποιαδήποτε άλλη χρήση πέρα από την οικιακή χρήση, συμπεριλαμβανομένης χρήσης για επαγγελματικούς ή εμπορικούς σκοπούς (για παράδειγμα, δωμάτια παιχνιδιών, εκπαίδευση, διαγωνισμοί). Αν επιτρέπεται από την ισχύουσα νομοθεσία, η Guillemot και οι θυγατρικές της αποποιούνται κάθε ευθύνης για οποιαδήποτε ζημιά δεν σχετίζεται με λάθος στο υλικό ή την κατασκευή αναφορά με το προϊόν (συμπεριλαμβάνεται, ενδεικτικά, οποιαδήποτε ζημιά προκαλείται άμεσα ή έμμεσα από οποιοδήποτε λογισμικό ή από συνδυασμό του προϊόντος της Thrustmaster με κάθε ακατάλληλο στοιχείο, συμπεριλαμβανομένων συγκεκριμένων παροχών ρεύματος, επαναφορτιζόμενων μπαταριών, φορτιστών ή άλλων στοιχείων που δεν παρέχονται από την Guillemot για αυτό το προϊόν).

THRUSTMASTER®

ΤΕΧΝΙΚΉΣ ΥΠΟΣΤΉΡΙΞΗΣ

<http://support.thrustmaster.com>



πνευματικά δικαιώματα

© 2017 Guillemot Corporation S.A. Με την επιφύλαξη παντός δικαιώματος. Η ονομασία Thrustmaster® είναι εμπορικό σήμα της Guillemot Corporation S.A. Όλα τα υπόλοιπα εμπορικά σήματα αποτελούν ιδιοκτησία των αντίστοιχων κατόχων τους. Οι εικόνες δεν είναι δεσμευτικές. Τα περιεχόμενα, οι σχεδιασμοί και οι προσδιορισμοί προδιαγραφών υπόκεινται σε αλλαγή χωρίς ειδοποίηση και ενδέχεται να ποικίλουν από χώρα σε χώρα. Κατασκευάζεται στην Κίνα.

ΣΥΣΤΑΣΗ ΠΡΟΣΤΑΣΙΑΣ ΠΕΡΙΒΑΛΛΟΝΤΟΣ



Στην Ευρωπαϊκή Ένωση: Στο τέλος της ωφέλιμης διάρκειας ζωής, το παρόν προϊόν δεν πρέπει να απορρίπτεται με τα τυπικά οικιακά απορρίμματα, αλλά να απορρίπτεται σε σημείο συλλογής απόρριψης ηλεκτρικού και ηλεκτρονικού εξοπλισμού για ανακύκλωση.

Το παρόν επιβεβαιώνεται με το σύμβολο που υπάρχει στο προϊόν, στο εγχειρίδιο χρήσης ή στη συσκευασία.

Ανάλογα με τα χαρακτηριστικά τους, τα υλικά μπορούν να ανακυκλωθούν. Μέσω της ανακύκλωσης και άλλων μορφών επεξεργασίας απόρριψης ηλεκτρικού και ηλεκτρονικού εξοπλισμού, μπορείτε να συμβάλετε σημαντικά

στην προστασία του περιβάλλοντος. Επικοινωνήστε με τις τοπικές αρχές για το πλησιέστερο σε εσάς σημείο συλλογής.

Για όλες τις υπόλοιπες χώρες: Να τηρείτε τους τοπικούς νόμους περί ανακύκλωσης του ηλεκτρικού και ηλεκτρονικού εξοπλισμού.

Κρατήστε αυτές τις πληροφορίες. Τα χρώματα και τα διακοσμητικά ενδέχεται να ποικίλουν.

Τα πλαστικά εξαρτήματα σύνδεσης και τα αυτοκόλλητα υλικά πρέπει να αφαιρούνται από το προϊόν πριν τη χρήση του.

www.thrustmaster.com

**Ισχύει μόνο σε ΕΕ και Τουρκία*

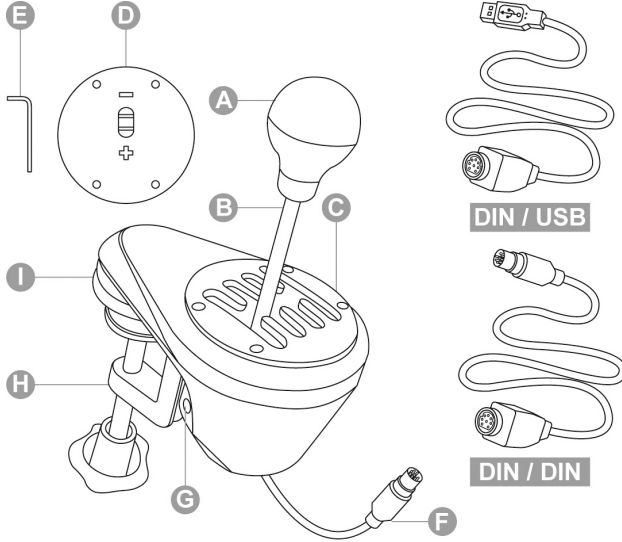


THA

ADD-ON SHIFTER

PlayStation®3 – PlayStation®4 – Xbox One – PC

Kullanım Kılavuzu



TEKNİK ÖZELLİKLER

- A Çıkarılabilir vites topuzu
(fabrika çıkışında takılı değildir)
- B Kol
- C Ayarlanabilir "H-şeklinde (7+1)" vites tablası
(fabrika çıkışında takılı)
- D Ayarlanabilir "Sıralı (+/-)" vites tablası
(fabrika çıkışında takılı değildir)
- E 2.5 mm alyan anahtarı (birlikte verilmektedir)

- F Kablo ve DIN konektör
- G İç germe vidası
- H Ayarlanabilir mengene sistemi
- I Kokpite montaj için "Vida yuvaları"

DIN / USB Ayrılabilir DIN / USB kablosu
DIN / DIN Ayrılabilir DIN / DIN kablosu

UYARI

Ürünü kullanmadan önce bu kullanma kılavuzunu dikkatle okuyun. Gelecekte başvuru için bu kılavuzu saklayın.



Uyarı – Elektrik çarpması

- * Bu ürünü kuru bir yerde saklayın ve toz veya güneş ışığına maruz bırakmayın.
- * Bağlantı uçlarının takılma yönüne dikkat edin.
- * Bağlantı uçlarını ve kabloları çekmeyin ve bükmeyin.
- * Ürüne veya bağlantı ucuna sıvı temasından kaçının.
- * Ürüne kısa devre yaptırmayın.
- * Ürünü (bu kılavuzda belirtilen ayarlamalar dışında) sökmeyin. Ürünü yaktmaya teşebbüs etmeyin ve ürünü yüksek sıcaklık derecelerine maruz bırakmayın.



Uyarı – Mükerrer hareketlerden kaynaklanan tıbbi sorunlar

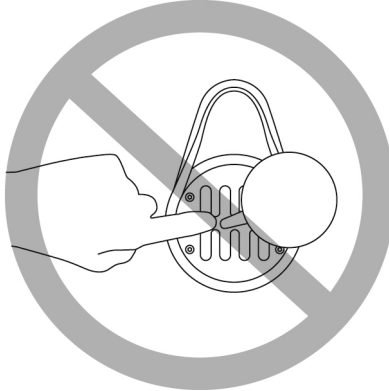
- Vites kolu kullanarak oyun oynamak kas ve eklem ağrılarına neden olabilir. Sorun yaşamamak için;
- * Uzun süre aralıksız oyun oynamaktan kaçının.
 - * Saatte bir 10 ila 15 dakikalık aralar verin.
 - * El, bilek veya kollarınızda ağrı veya yorgunluk hissetmeniz halinde oyuna son vererek tekrar başlamadan önce birkaç saat dinlenin.
 - * Yukarıda belirtilen belirti veya ağrıların oyuna geri döndüğünüzde devam etmesi halinde oyunu bırakın ve doktorunuza başvurun.
 - * Vites kolunun bu kılavuzdaki talimatlara göre yerine düzgün bir biçimde monte edilmiş olduğundan emin olun.



Uyarı – Vites tablasının boşluklarında sıkışma riski

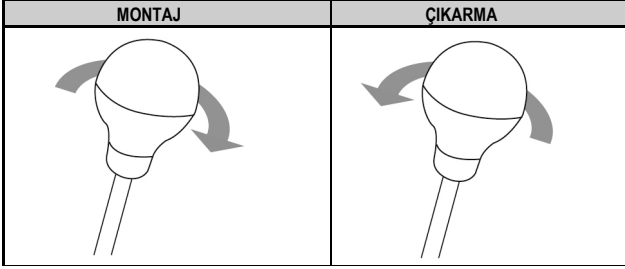
- * Çocukların erişemeyeceği yerlerde bulundurun.
- * Oyun oynarken parmaklarınızı (ya da vücudunuzun bir başka kısmını) vites tablasının boşluklarına koymayın.

ASLA



VİTES TOPUZUNUN TAKILMASI

1. Vites topuzunu (A) kola (B) vidalamak için vites topuzunu saat yönünde çevirin.
2. Vites topuzunu yerinden çıkarmak için saat yönünün tersinde çevirin.



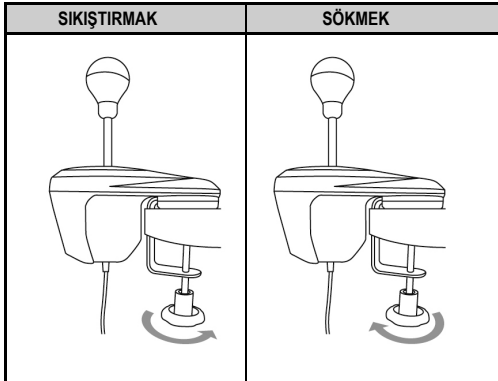
VİTES KOLUNU YERİNE MONTE ETMEK

Montaj sistemi her türlü destek zemini için optimize edilmiştir:

- Kalınlığı 1 ila 55 mm arasında olan **masa, banko** veya **raflara** mengene sistemi (H) yoluyla.
- **Kokpitlere** vites kolu üzerindeki "vida yuvaları" yoluyla (mengene sistemi yerinden çıkarılabilir).

Vites kolunun bir masa veya bankoya montajı

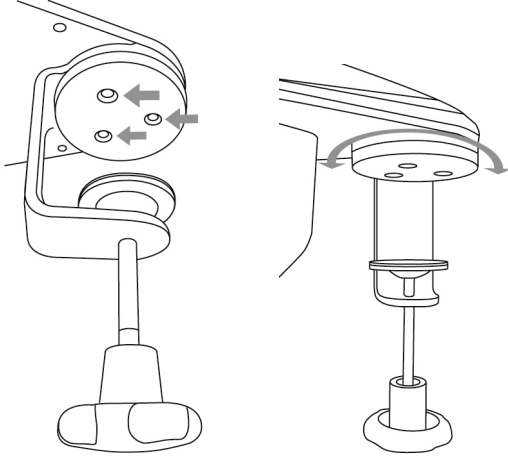
1. Vites kolunun burun kısmını masa veya başka bir düz yüzeyin üzerine yerleştirin.
2. Sıkıştırmak için mengene burgusunu saat yönünün tersine çevirin.
3. Sökme için mengene burgusunu saat yönünde çevirin.



Burgu sistemini konumlandırıp döndürmek (360° ayarlama açısı)

1. Ürünle birlikte verilen 2,5 mm alyan anahtarını (E) kullanarak mengene sistemini (H) yerinde tutan 3 vidayı hafifçe gevşetin.

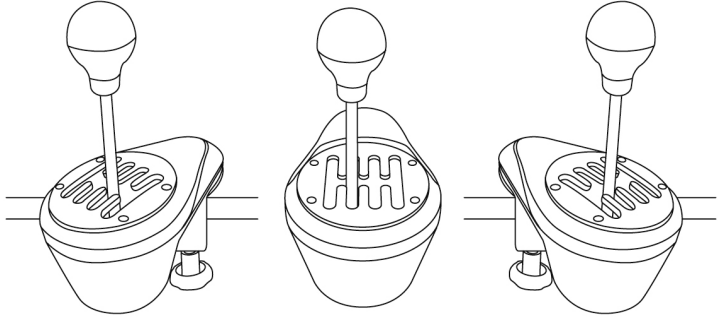
Artık mengene sistemi (ve onunla birlikte tüm vites kolu) 360° açıyla döndürülebilir.



2. 360° dönme açısı içerisinde size uygun olan konumu seçin. (Aşağıda 3 örnek gösterilmiştir.

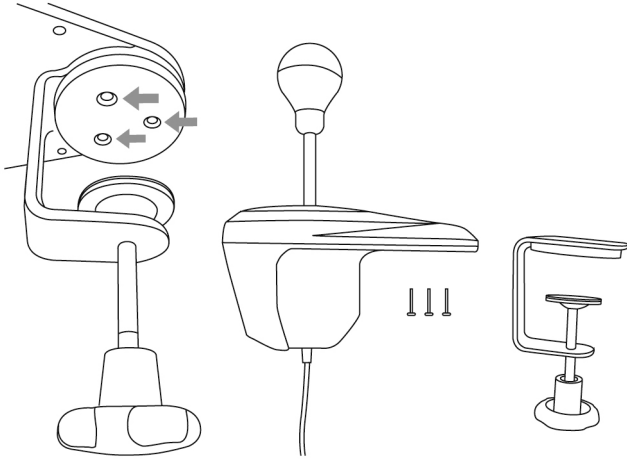
Başka açıların kullanılması da mümkündür).

Akabinde mengene sistemini tutan 3 vidayı tekrar sıkın.

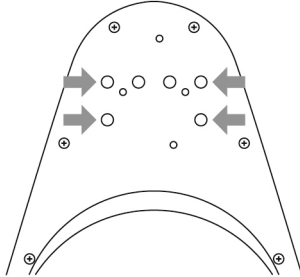


Vites kolunun kokpite yerleştirilmesi

1. Ürünün yanında verilen 2,5 mm alyan anahtarını (**E**) kullanarak mengene sistemini (**H**) tutan 3 vidayı **tümüyle çıkarın**. Mengene sistemini vites kolundan ayırın.



2. Mengene sistemi yerinden çıkarıldıktan sonra kokpit rafına ve vites kolunun burun kısmının altında yer alan 4 küçük "vida yuvasından" 2 tanesine (**I**) 2 adet "M6" vidası (ayrıca temin edilmelidir) vidalayın.

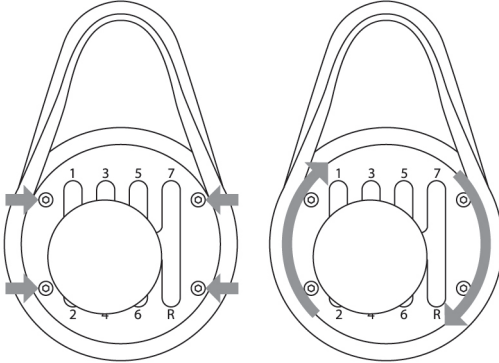


Fazla uzun "M6" vidaları kullanmamaya özen gösterin Bunlar vites kolunun burun kısmının üst kesimini delip zarar verebilirler.

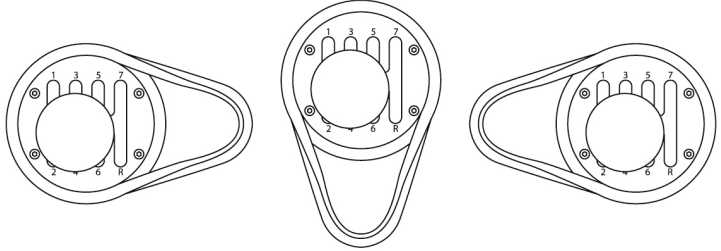
Kokpitler için vites montaj şablonu <http://support.thrustmaster.com> adresinde mevcuttur (Racing Wheels / TH8A Shifter'a tıklayın, ardından Manual'ı seçin).

VİTES TABLASINI KONUMLANDIRIP DÖNDÜRMEK (360° AYARLAMA AÇISI)

1. Ürünün yanında verilen 2,5 mm alyan anahtarını (E) kullanarak vites tablasını (C veya D) tutan 4 vidayı hafifçe gevşetin. Artık vites tablasını 360° açı içerisinde döndürebilirsiniz.



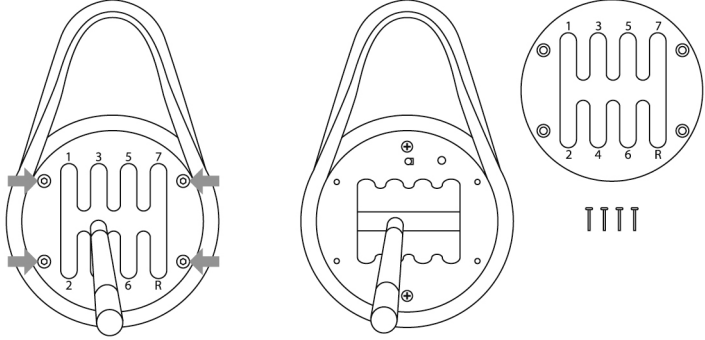
2. 360° dönme açısı içerisinde size uygun olan konumu seçin. (Aşağıda 3 örnek gösterilmiştir. Başka açılarının kullanılması da mümkündür).



3. Akabinde vites tablasını yerine sabitleyen 4 vidayı tekrar sıkın.

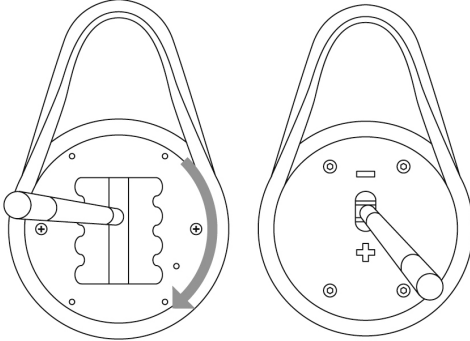
“H-ŞEKİLLİ (7+1)” VİTES TABLASINDAN “SIRALI (+/-)” VİTES TABLASINA GEÇİŞ

1. Vites topuzunu (A) (saat yönünün tersine çevirerek) yerinden çıkarın.
2. Ürünün yanında verilen 2,5 mm alyan anahtarını (E) kullanarak “H-Şekilli (7+1)” vites tablasını sabitleyen 4 vidayı **tümüyle çıkarın**. Vites tablasını yerinden kaldırın.

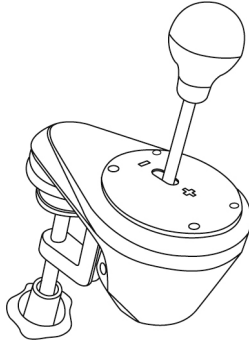


Bu işlem sırasında vidaların mekanizmanın iç kısmına düşmemesine dikkat edin.

3. Mekanizmayı sağa (saat yönünde) 90° derece döndürün. Ardından “Sıralı (+/-)” vites tablasını yerine yerleştirin.

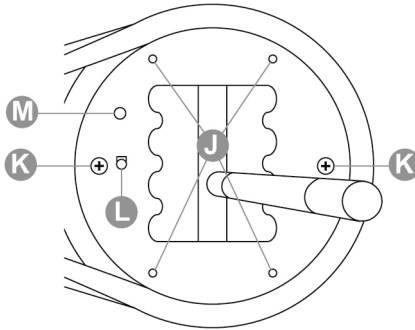


4. Ürünün yanında verilen 2,5 mm alyan anahtarını (E) kullanarak "Sıralı (+/-)" vites tablasını sabitleyen 4 vidayı tümüyle sıkın. Vites topuzunu tekrar yerine takın (saat yönünde çevirin).



"H Şekilli (7+1)" vites tablasını tekrar takmak için bu işlemi tersine uygulayın.

İç mekanizmanın üst kapağı hakkında:



J: Vites tablalarını (C veya D) sabitlemek için 4 "vida yuvası".

K: İç mekanizmayı yerinde tutan 2 vida (bunları çıkarmayın).

L: Kullanılan vites tablasını (C veya D) otomatik olarak tespit etmeye yarayan düğme. "Sıralı (+/-)" vites tablası takılı olduğunda bu düğmeye otomatik olarak basılır. Takılı vites tablasının tespiti konusunda sorun yaşamamak için bu alanın temiz kalmasına dikkat edin.

M: Vites tablalarının konumlandırılmasını kolaylaştıran kılavuz.

VİTES DİRENCİNİN AYARLANMASI

- * Yalnız "H-Şekli (7+1)" vites tablası için söz konusudur.
- * Herhangi bir ayarlama yapılmadan önce "H-Şekli (7+1)" vites tablası **mutlaka** orijinal konumunda takılı olmalıdır (aşağıdaki şekle bakınız).



1. Geniş ağızlı bir düz tornavida kullanarak vites kolu muhafazasının solunda yer alan iç germe vidasının (G) iç gerilimini ayarlayın.
2. Direnci bir miktar artırmak için vidayı saat yönünde çevirin.
3. Direnci bir miktar azaltmak için vidayı saat yönünün tersine çevirin.

DİRENCİN ARTIRILMASI	DİRENCİN AZALTILMASI

2 tam tur azami dirence **asgari dirence** geçiş için yeterlidir.



Sistemin zarar görmesini engellemek için:

- Dönüş zorlaşınca vidayı sıkımayı bırakın.
- Vites kolu fazlasıyla gevşeyince vidayı gevşetmeyi bırakın.

OYUN KONSOLLARI İÇİN KURULUM TALİMATLARI

PLAYSTATION®3

= PS3™ için olan tüm oyunlarda daima (*) TH8A vitesi doğrudan PS3™'ün USB portlarından birine bağlayın (Thrustmaster yarış direksiyonunun tabanına bağlamayın).

- TH8A vitesin DIN konektörünü DIN / USB kabloşuna bağlayın.

- TH8A vitesi PS3™'ün USB portlarından birine bağlayın.

- Oyunu başlatın.

TH8A vites bundan sonra H-ŞEKİLLİ (7+1) veya SIRALI (+/-) vites tablosuyla kullanılabilir.

(*) **PS3™ sistemi için önemli öneriler** (sadece dahili vites konektörü içeren Thrustmaster yarış direksiyonu için geçerlidir)

- TH8A vitesin SIRALI vites tablasını kullanırken ayrılabilir DIN / DIN kabloşunu kullanarak vitesi yarış direksiyonunun arka kısmına da bağlayabilirsiniz. TH8A vites ardından yarış direksiyonunun UP (= R1) ve DOWN (= L1) direksiyondan kumandalı vitesine bağlanır.

Bu yarış direksiyonu ile TH8A vitesin SIRALI (+/-) vites tablası, yarış direksiyonu ile uyumlu PS3™ yarış oyunlarının tamamı ile çalışır.

- Bazı oyunlar aynı anda iki TH8A vites kullanmanıza izin verirler:

PS3™'ün USB portuna bağlı, H-ŞEKİLLİ (7+1) vites tablalı bir TH8A vites

+ Yarış direksiyonunu arka kısmına bağlı, SIRALI (+/-) vites tablalı bir TH8A vites

* TH8A vites ile uyumlu PS3™ oyunlarının listesi için:

<http://support.thrustmaster.com> (Racing Wheels / TH8A Shifter'a tıklayın, ardından Games settings'ı seçin). Bu liste düzenli olarak güncellenir.

* PS3™ sistemlerinde yarış direksiyonunu veya TH8A vitesi oyun konsoluna bağlarken USB hub kullanmamanız önerilir; aygıtı doğrudan PS3™'ün USB portlarına bağlayın.

* Düzgün çalışması için bazı oyunlar TH8A vitesin en son güncellemelerini yüklemenizi gerektirir (oyun konsolunuzun internete bağlı olması gerekir).

PS4™ oyununa veya kullandığınız yarış direksiyonuna göre:

= (*) TH8A vitesi doğrudan PS4™'ün USB portuna bağlayın

- TH8A vitesin DIN konektörünü DIN / USB kablo suna bağlayın.
- TH8A vitesi PS4™'ün USB portlarından birine bağlayın.
- Oyunu başlatın.

TH8A vites bundan sonra H-ŞEKİLLİ (7+1) veya SIRALI (+/-) vites tablosuyla kullanılabilir.

Veya

= (*) TH8A vitesi doğrudan Thrustmaster yarış direksiyonunun tabanına bağlayın

(sadece Thrustmaster yarış direksiyonu dahili vites konektörü içeriyorsa geçerlidir)

- TH8A vitesin DIN konektörünü DIN / DIN ayrılabilir kabloya bağlayın.
- TH8A vitesi, yarış direksiyonu tabanının arka kısmında bulunan vites konektörüne bağlayın.
- Yarış direksiyonunuzu bağlayın ve oyunu başlatın.

TH8A vites bundan sonra H-ŞEKİLLİ (7+1) veya SIRALI (+/-) vites tablosuyla kullanılabilir.

(*) PS4™ sistemi için önemli öneriler (sadece dahili vites konektörü içeren Thrustmaster yarış direksiyonu için geçerlidir)

- TH8A vitesin SIRALI vites tablasını kullanırken ayrılabilir DIN / DIN kablo sunu kullanarak vitesi yarış direksiyonunun arka kısmına da bağlayabilirsiniz. TH8A vites ardından yarış direksiyonunun UP (= R1) ve DOWN (= L1) direksiyondan kumandalı vitesine bağlanır.

Bu yarış direksiyonu ile TH8A vitesin SIRALI (+ /-) vites tablası, yarış direksiyonu ile uyumlu PS4™ yarış oyunlarının tamamı ile çalışır.

- Bazı oyunlar aynı anda iki TH8A vites kullanmanıza izin verirler:

PS4™'ün USB portuna bağlı, H-ŞEKİLLİ (7+1) vites tablalı bir TH8A vites

+ Yarış direksiyonunu arka kısmına bağlı, SIRALI (+/-) vites tablalı bir TH8A vites

* TH8A ile uyumlu PS4™ oyunları listesi ve ilgili bağlantı talimatları için (*) (oyunlara göre değişir) bakınız:

<http://support.thrustmaster.com> (Racing Wheels / TH8A Shifter'a tıklayın, ardından Games settings'ı seçin). Bu liste düzenli olarak güncellenir.

* PS4™ sistemlerinde yarış direksiyonunu veya TH8A vitesi bağlarken USB hub kullanmamanız önerilir; aygıtı doğrudan PS4™'ün USB portlarına bağlayın.

* Düzgün çalışması için bazı oyunlar TH8A vitesin en son güncellemelerini yüklemenizi gerektirir (oyun konsolunuzun internete bağlı olması gerekir).

XBOX ONE

= Tüm Xbox One oyunlarında daima TH8A vitesi doğrudan Thrustmaster yarış direksiyonunun tabanına bağlayın (ASLA oyun konsolunun USB portuna bağlamayın).

- TH8A vitesin DIN konektörünü DIN / DIN ayrılabilir kabloya bağlayın.

- TH8A vitesi, yarış direksiyonu tabanının arka kısmında bulunan vites konektörüne bağlayın. - Yarış direksiyonunuzu bağlayın ve oyunu başlatın.

TH8A vites bundan sonra H-ŞEKİLLİ (7+1) veya SIRALI (+/-) vites tablosuyla kullanılabilir.

Xbox One ile ilgili önemli not:

TH8A vitesin SIRALI (+/-) vites tablasını kullanırken vites, yarış direksiyonunun UP (= RB) ve DOWN (= LB) direksiyondan kumandalı vitesine bağlıdır.

TH8A vitesin SIRALI (+ /-) vites tablasını kullanırken TH8A vites, Xbox One için olan Thrustmaster yarış direksiyonu ile uyumlu Xbox One yarış oyunlarının tamamı ile çalışır.

* TH8A vites ile uyumlu Xbox One oyunlarının listesi için:

<http://support.thrustmaster.com> (Racing Wheels / TH8A Shifter'a tıklayın, ardından Games settings'ı seçin). Bu liste düzenli olarak güncellenir.

* Düzgün çalışması için bazı oyunlar TH8A vitesin en son güncellemelerini yüklemenizi gerektirir (oyun konsolunuzun internete bağlı olması gerekir).



Xbox One için Thrustmaster yarış direksiyonunu TH8A vites ile uyumluluğunu sağlamak için yarış direksiyonunun donanım yazılımını PC üzerinden, şu adresten güncellemeniz gerekebilir: <http://support.thrustmaster.com> (Racing Wheels / TH8A Shifter'a tıklayın, ardından Firmware'ı seçin).

PC İÇİN KURULUM TALİMATLARI

= Tüm PC oyunlarında(*), daima TH8A vitesi doğrudan PC'nin USB portlarından birine bağlayın.

- TH8A vitesin DIN konektörünü DIN / USB kablosuna bağlayın.
- TH8A vitesi PC'nin USB portlarından birine bağlayın.
- Bir PC'ye bağlandığında TH8A vites Tak ve Kullan bir aygıt gibi işlev görür ve otomatik olarak algılanarak yüklenir.
- Aygıt, Windows® Denetim Masasında 'T500 RS Gear Shift' şeklinde gözüktür.
- Aygıt özelliklerini test etmek ve görmek için Özellikler'e tıklayın.
- Oyunu başlatın.

Artık yarışmaya hazırsınız!

(*) PC'ler için önemli öneriler (sadece dahili vites konektörü içeren Thrustmaster yarış direksiyonu için geçerlidir)

- TH8A vitesin SIRALI vites tablasını kullanırken ayrılabilir DIN / DIN kablosunu kullanarak vitesi yarış direksiyonunun arka kısmına da bağlayabilirsiniz. TH8A vites ardından yarış direksiyonunun UP (= 2) ve DOWN (= 1) direksiyondan kumandalı vitesine bağlanır. Bu yarış direksiyonu ile TH8A vitesin SIRALI (+ /-) vites tablası, yarış direksiyonu ile uyumlu PC yarış oyunlarının tamamı ile çalışır.

- Bazı oyunlar aynı anda iki TH8A vites kullanmanıza izin verirler:

PC'nin USB portuna bağlı, H-ŞEKİLLİ (7+1) vites tablalı bir TH8A vites

+ Yarış direksiyonunu arka kısmına bağlı, SIRALI (+/-) vites tablalı bir TH8A vites

* PC'lerde Thrustmaster vites kolu aşağıdakilerle uyumludur:

- MULTI-USB ve vites kolları destekleyen tüm oyunlar.
- Piyasadaki tüm direksiyon sistemleri.

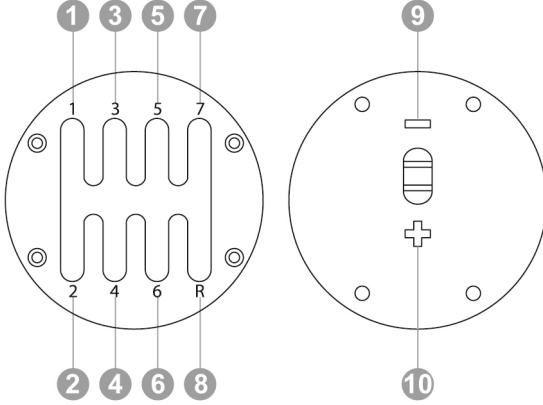
* Yarış direksiyonunu ve TH8A vitesi doğrudan PC'nin USB 2.0 (USB 3.0 değil) portlarına, hub kullanmadan bağlamanız önerilir.

* Bazı PC oyunları için Thrustmaster vites kolunun düzgün çalışması için en son çıkan oyun güncellemesini kurmanız **gerekmektedir**.

* (Direksiyon ile vites kolu sistemi arasında çakışmaları engellemek için) bazı PC oyunlarında şunları yapmak gerekebilir:

- Direksiyonun vites işlevine oyunda bir karşılık atamamak.
- "Hold button for gear" işlevini etkinleştirmek.

PC'DE EŞLEŞTİRME



YAZILIM PAKETİ

<http://support.thrustmaster.com> adresinde (Racing Wheels / TH8A Shifter'a tıklayın, ardından Drivers'ı seçin) bir "yazılım paketi" mevcuttur.

- Yazılım paketini kurduktan sonra;

- * vites kolunuzun gömülü yazılım sürümünü kontrol edebilir,
- * (gerektiğinde) gömülü yazılımı en güncel versiyonla güncelleyebilir,
- * "BOOTLOADER Metodunu" kullanabilir,
(gömülü yazılımın bozulması halinde vites kolunuzu çalışır hale getirmek için).
- * PC'de özelleştirilmiş bir Denetim Masası paneline (oyun denetleyicisi) erişebilirsiniz.
- * PC'de ANALOG modu (el freni) kullanabilirsiniz

GELİŞMİŞ KALİBRASYON YAZILIMI

TH8A vites kalibrasyonu otomatik olarak yapılır.

PC için gelişmiş kalibrasyon yazılım uygulamasını şu adresten de temin edebilirsiniz:

<http://support.thrustmaster.com> (Racing Wheels / TH8A Shifter'a tıklayın, ardından Software'ı seçin).

Vites hareketini tercihinize göre ayarlamanızı sağlar.

Ayarlar tamamlandığında bu ayarlar anında dahili vites hafızasına kaydedilirler (ve PS3™, PS4™, Xbox One ve PC'de kullanılabilirler).

TH8A VİTESİ ÇEŞİTLİ SİSTEMLERE BAĞLAMAK İÇİN ÖZET TALİMATLAR

TH8A vitesi bağla	
PS3™	Daima(*) doğrudan PS3™'e (USB)
PS4™	<u>Oyun veya yarış direksiyonuna göre (*) :</u> - Ya doğrudan PS4™ sistemine (USB) - Ya da yarış direksiyonunun arka kısmına (DIN)
XBOX ONE	Daima yarış direksiyonunun arka kısmına (DIN)
PC	Daima(*) doğrudan PC'ye (USB)

() Tüm istisnalarla ilgili daha fazla bilgi için kılavuzun ilgili sayfalarındaki **Önemli öneriler** kısımlarına bakın.*

UYARI

* TH8A vitesi, aygıt aynı DIN konektörüne sahip olsa bile Thrustmaster yarış direksiyonu dışında başka bir aygıtı asla bağlamayın. Bu durum, TH8A vitesine veya diğer aygıtı hasar verebilir.

SORUN GİDERME

* Vites kolu düzgün çalışmıyor ya da kalibrasyonunda bir sorun var:

- Bilgisayarınızı ya da oyun konsolunuzu kapatın. Vites kolunun bağlantısını çıkarıp tekrar takın. Oyunu tekrar başlatın.

- Oyunun içinde "Options/Controller" kısmında en uygun konfigürasyonu seçin ya da ayarlayın.

- Daha fazla bilgi için oyununuzun kullanma kılavuzuna ya da çevrimiçi yardım menüsüne başvurabilirsiniz.

- Çeşitli yardım konuları ve ipuçları (bu kılavuzda yer almayan), uyumlu oyunların listesi, vb. <http://support.thrustmaster.com> web sitesinde mevcuttur. Racing Wheels / TH8A Shifter'a tıklayın.

- Xbox One'da, Xbox One için Thrustmaster yarış direksiyonunu TH8A vitesi ile uyumluluğunu sağlamak için yarış direksiyonunun donanım yazılımını PC üzerinden, şu adresten güncelleme gerekebilir: <http://support.thrustmaster.com> Racing Wheels / TH8A Shifter'a tıklayın, ardından Firmware'i seçin).

TÜKETİCİ GARANTİ BİLGİSİ

İşbu Thrustmaster ürünü, malzeme ve işçilik hatalarına karşı, müşterinin kusurlu ürünün ücretinin iade edilmesi veya değiştirilmesi talebinde bulunabileceği süreye karşılık gelen garanti süresince dünya çapında tescil edilmiş merkezi Place du Granier, B.P. 97143, 35571 Chantepie, Fransa'da bulunan Guillemot Corporation S.A. tarafından sonra "Guillemot" olarak ifade edilecektir) garantisini altındadır. Avrupa Birliği ülkelerinde bu süre, Thrustmaster ürününün tesliminden itibaren iki (2) seneye karşılık gelir. Diğer ülkelerde garanti süresi, Thrustmaster ürünü ile ilgili olarak, Thrustmaster ürününün satın alındığı tarihte müşterinin ikamet ettiği ülkede geçerli yasalara uygun şekilde, müşterinin kusurlu ürünün ücretinin iade edilmesi veya değiştirilmesi talebinde bulunabileceği süreye karşılık gelir (İlgili ülkede bu tür bir düzenleme mevcut değilse garanti süresi Thrustmaster ürününün satın alındığı asıl tarihten itibaren bir (1) yıl olacaktır).

Garanti süresi içinde üründe hata veya kusur tespit edilmesi durumunda derhal izlenecek yöntem ile ilgili size bilgi verecek olan Teknik Destek servisimize başvurun. Hata veya kusur onaylanırsa ürünün satın alındığı yere (ya da Teknik Destek servisi tarafından belirtilen yere) iade edilmesi gerekmektedir.

İşbu garanti kapsamında müşterinin kusurlu ürünü, Teknik Destek servisinin insiyatifine bağlı olarak, değiştirilecek veya çalışır hale getirilecektir. Garanti süresince Thrustmaster ürününün onarım işlemine tabi tutulması durumunda, ürünün kullanım dışı olduğu en az yedi (7) günlük tüm süreler kalan garanti süresine eklenecektir (bu süre, ürünün onarılması için hazır bulundurulduğu tarih müdahale edilmesi için talepte bulunduğu tarihi takip ediyor ise müşterinin müdahale edilmesi için talepte bulunduğu tarihten veya bahse konu ürünün onarılması için hazır bulundurulduğu tarihten başlar). Yürürlükte olan yasaların izin verdiği durumlarda, Guillemot ve bağlılarının tüm sorumluluğu (dolaylı hasarlar da dahil olmak üzere) Thrustmaster ürününün çalışır hale getirilmesi veya değiştirilmesi ile sınırlıdır. Yürürlükte olan yasaların izin vermesi halinde Guillemot, ticarete elverişlilik veya belirli bir amaca uygunluk ile ilgili tüm garantileri reddeder.

İşbu garanti aşağıdaki durumlar için geçerli değildir: (1) Ürün modifiye edilmişse, açılmışsa, üzerinde değişiklik yapılmışsa, uygunsuz veya kötü kullanım, ihmal, kaza, normal aşınma ya da malzeme veya üretim hatası ile ilgili olmayan nedenlerden dolayı hasar görmüşse (ancak bununla sınırlı kalmamak üzere, Thrustmaster ürününü herhangi uygun bir elemanla birleştirmek, buna dahil olarak özellikle güç kaynakları, yeniden doldurulabilir piller, şarj cihazları veya bu ürün için Guillemot tarafından tedarik edilmemiş tüm diğer elemanlar); (2) ürün, evde kullanım dışında, profesyonel veya ticari maksatlı olanlar da dahil olmak üzere (örneğin oyun salonları, eğitim, yarışlar) başka maksatlarla kullanılmışsa; (3) Teknik Destek servisi tarafından sağlanan talimatlara uyulmamışsa; (4) yazılım için, işbu garanti geçerli değildir, söz konusu yazılım için sağlanan özel garanti hükümlerine tabidir; (5) sarf malzemeleri için (ürün kullanım süresi içinde değiştirilecek elemanlar: örneğin; tek kullanımlık piller, kulaklık yastıkları); (6) aksesuarlar için (örneğin; kablolar, kılıflar, cepler, çantalar, bileklikler); (7) ürün açık artırma ile satılmışsa.

Bu garanti devrulanamaz.

Tüketim mallarının tüketicinin ülkesinde satışına ilişkin tüketicinin yasal hakları işbu garantiden etkilenmemektedir.

Ek garanti hükümleri

Garanti süresince, tüm Thrustmaster ürünlerini açmaya ve/veya onarmaya yetkili tek taraf Teknik Destek Servisi olduğundan prensip olarak Guillemot tarafından hiçbir yedek parça sağlanmayacaktır (Uygulanabilir olması durumunda yazılı talimatlarla ve müşteriye gerekli yedek parça(lar) sağlanarak Teknik Destek Servisinin müşteri tarafından yapılmasını isteyebileceği tüm onarım prosedürleri hariç – örneğin onarım işleminin basit olmasından ve gizlilik içermemesinden dolayı).

İnovasyon döngülerini dikkate almak ve bilgi birikimi ile ticari sırlarını korumak için Guillemot, prensip olarak garanti süresi dolmuş hiç bir Thrustmaster ürünü için onarım bilgisi veya yedek parça sağlamayacaktır.

Sorumluluk

Yürürlükte olan yasaların izin vermesi halinde, Guillemot Corporation S.A. (bundan sonra "Guillemot" olarak ifade edilecektir) ve bağlıları aşağıdakilerin biri veya daha fazlasından kaynaklanan her türlü hasara karşı tüm sorumluluğu reddeder: (1) Ürün modifiye edilmişse, açılmışsa, üzerinde değişiklik yapılmışsa; (2) montaj talimatlarına uyulmamışsa; (3) uygunsuz veya kötü kullanım, ihmal, kaza (örneğin bir darbe); (4) normal aşınma; (5) ürünün, evde kullanım dışında, profesyonel veya ticari maksatlı olanlar da dahil olmak üzere (örneğin oyun salonları, eğitim, yarışlar) başka maksatlarla kullanılması. Yürürlükte olan yasaların izin vermesi halinde, Guillemot ve bağlıları ürünle ilgili malzeme veya üretim hatası ile ilgili olmayan her türlü hasara karşı tüm sorumluluğu reddeder (ancak bununla sınırlı kalmamak üzere, herhangi bir yazılımdan veya Thrustmaster ürününün herhangi bir uygun olmayan elemanla birleştirilmesinden doğrudan veya dolaylı olarak kaynaklanan tüm hasarlar, buna dahil olarak özellikle güç kaynakları, yeniden doldurulabilir piller, şarj cihazları veya bu ürün için Guillemot tarafından tedarik edilmemiş tüm diğer elemanlar).

THRUSTMASTER®

TEKNİK DESTEK

<http://support.thrustmaster.com>



TELİF HAKKI

© 2017 Guillemot Corporation S.A. Tüm hakları saklıdır. Thrustmaster® Guillemot Corporation S.A'nın tescilli markasıdır. Diğer tüm ticari markalar kendi sahiplerinin. Resimler bağlayıcı değildir. İçerik, tasarım ve özellikler önceden haber verilmeksizin değiştirilebilir ve bir ülkeden başka bir ülkeye değişiklik gösterebilir. Çin'de yapılmıştır.

ÇEVRE KORUMA ÖNERİLERİ



Avrupa Birliği'nde: Cihazın kullanım ömrü sona erdiğinde, standart ev atıkları ile atılmamalı, geri dönüşüm için Atık Elektrikli ve Elektronik Cihazların toplandığı bir yere bırakılmalıdır.

Bu, ürünün, kullanım kılavuzunun veya paketin üzerinde bulunan sembol ile onaylanmıştır.

Özelliklerine bağlı olarak malzemeler geri dönüştürülebilir. Atık Elektrik ve Elektronik Cihazların geri dönüşümü veya diğer işleme yöntemleri sayesinde çevrenin korunmasına yönelik önemli bir katkıda bulunabilirsiniz. Size en yakın toplama merkezleri hakkında bilgi almak için lütfen yerel yetkililerle iletişime geçin.

Diğer ülkeler için: Lütfen elektrikli ve elektronik cihazların geri dönüşümü için yerel yasalara uyunuz.

AEEE Yönetmeliğine Uygundur.

Bu belgeyi saklayın. Renkler ve süslemeler değişiklik gösterebilir.
Plastik tutturucular ve bantlar, kullanmadan önce üründen çıkarılmalıdır.

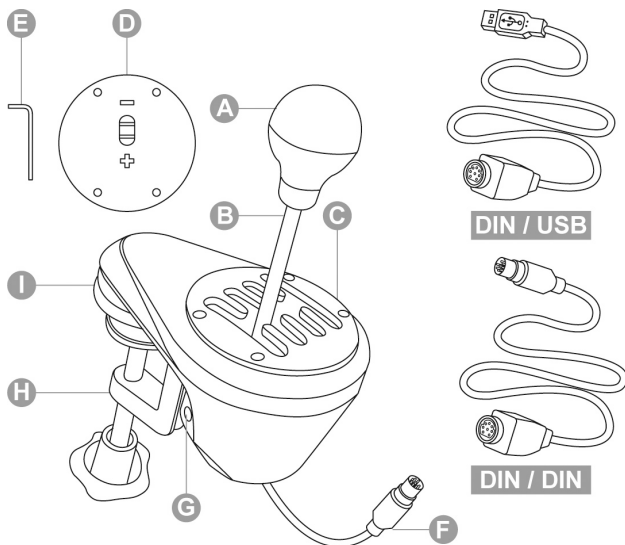
www.thrustmaster.com

**Sadece AB ve Türkiye için geçerlidir*



PlayStation®3 — PlayStation®4 — Xbox One — PC

Instrukcja obsługi



ELEMENTY

- | | |
|--|---|
| A Zdejmowana gałka zmiany biegów
(domyślnie niezainstalowana) | E Klucz imbusowy 2,5 mm (w komplecie) |
| B Drażek | F Kabel ze złączem DIN |
| C Regulowana nakładka do zmiany biegów w układzie H (7+1)
(domyślnie zainstalowana) | G Wewnętrzna śruba naprężająca |
| D Regulowana nakładka do zmiany biegów metodą sekwencyjną (+/-)
(domyślnie niezainstalowana) | H Zacisk regulowany |
| | I Gwintowane otwory do montażu kokpitowego |
| | DIN / USB Kabel DIN-USB |
| | DIN / DIN Kabel DIN-DIN |

OSTRZEŻENIE

Zanim rozpoczniesz korzystanie z urządzenia, szczegółowo zapoznaj z niniejszą instrukcją, a następnie zachowaj ją do wglądu.



Ostrzeżenie — ryzyko porażenia prądem elektrycznym

- * Przechowuj urządzenie w suchym miejscu i nie wystawiaj go na działanie kurzu ani światła słonecznego.
- * Przestrzegaj właściwego kierunku podłączania złączy.
- * Nie skręcaj ani nie naciągaj złączy ani kabli.
- * Nie wylewaj cieczy na urządzenie ani jego złącze.
- * Nie zwieraj urządzenia.
- * Nie demontuj urządzenia (poza dopuszczalnymi przypadkami regulacji opisanymi w instrukcji), nie próbuj go palić ani nie narażaj na działanie wysokich temperatur.



Ostrzeżenie — ryzyko obrażeń ciała spowodowanych powtarzającymi się ruchami

Granie przy użyciu skrzyni biegów może doprowadzić do bólu mięśni i stawów. W celu uniknięcia problemów:

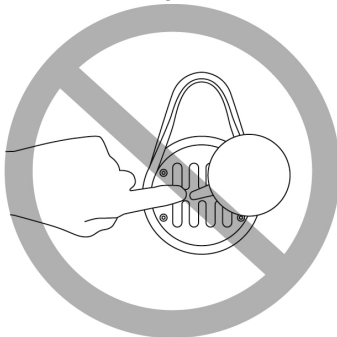
- * Unikaj grania przez długi czas.
- * Po każdej godzinie gry rób 10–15 minut przerwy.
- * Jeśli odczuwasz zmęczenie lub ból dłoni, nadgarstków albo ramion, przerwij grę, a przed jej wznowieniem odpocznij kilka godzin.
- * Jeśli po wznowieniu gry opisane powyżej objawy lub ból powrócą, przerwij grę i poradź się lekarza.
- * Sprawdź, czy podstawa skrzyni biegów jest właściwie zamontowana zgodnie ze wskazówkami podanymi w instrukcji.



Ostrzeżenie — ryzyko przytrzaśnięcia w otworach nakładki

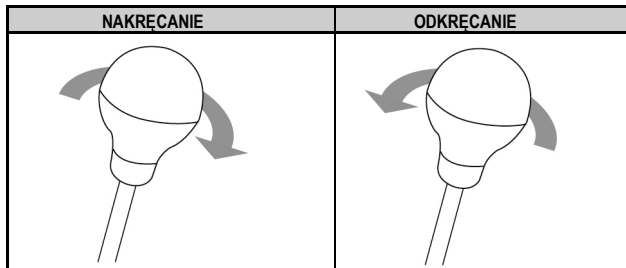
- * Trzymaj urządzenie z dala od dzieci.
- * Podczas gry nigdy nie wkładaj palców (ani innych części ciała) w otwory nakładek na skrzynię biegów.

NIGDY



INSTALOWANIE GAŁKI ZMIANY BIEGÓW

1. Aby wkręcić gałkę zmiany biegów (**A**) na drążek (**B**), obracaj gałkę zgodnie z ruchem wskazówek zegara.
2. Aby odkręcić gałkę zmiany biegów, obracaj ją przeciwnie do ruchu wskazówek zegara.



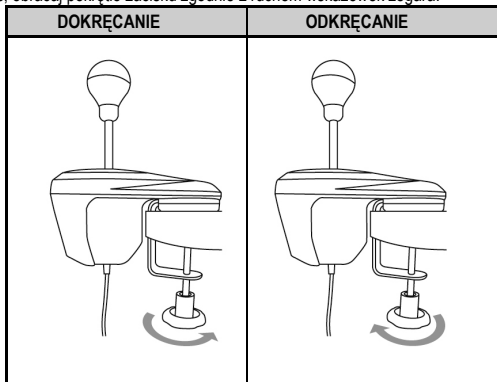
MONTOWANIE SKRZYNI BIEGÓW

Urządzenie można zamontować na dowolnej podstawie, takiej jak:

- stół, biurko lub półka o grubości 1–55 mm — przy użyciu zacisku (**H**),
- kokpit — przy użyciu fabrycznie gwintowanych otworów (zacisk można zdjąć).

Montowanie skrzyni biegów na stole lub biurku

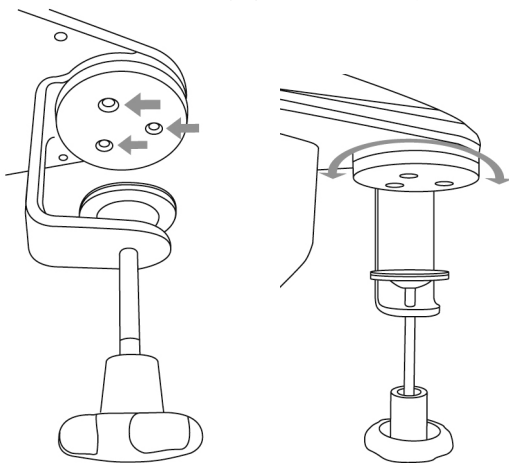
1. Umieść przednią wydłużoną część skrzyni biegów na stole lub innej płaskiej powierzchni.
2. Aby dokręcić, obracaj pokrętkę zacisku przeciwnie do ruchu wskazówek zegara.
3. Aby odkręcić, obracaj pokrętkę zacisku zgodnie z ruchem wskazówek zegara.



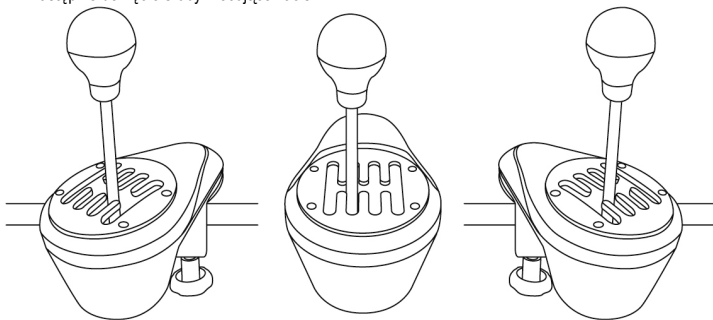
Ustawianie i obracanie zacisku (zakres regulacji — 360°)

1. Za pomocą dostarczonego klucza imbusowego 2,5 mm (**E**) **bardzo nieznacznie odkręć** 3 śruby mocujące zacisk (**H**).

Zacisk (a przez to również całą skrzynię biegów) można teraz obrócić ręcznie o 360°.

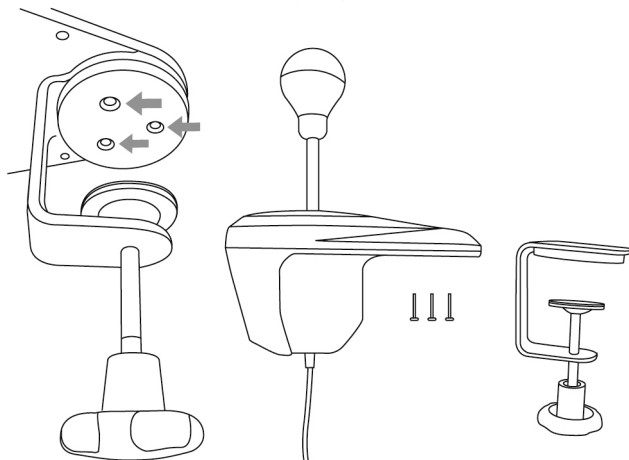


2. Wybierz preferowane położenie w ramach 360-stopniowego zakresu obrotu (poniżej przedstawiono 3 przykłady spośród wielu możliwych położeń). Następnie dokręć 3 śruby mocujące zacisk.

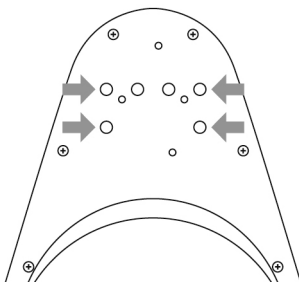


Montowanie skrzyni biegów w kokpicie

1. Za pomocą dostarczonego klucza imbusowego 2,5 mm (**E**) całkowicie wykręć i wyjmij 3 śruby mocujące zacisk (**H**). Zdejmij zacisk ze skrzyni biegów.



2. Po zdjęciu zacisku wkręć 2 śruby M6 (do nabycia osobno) w półkę kokpitu oraz w dwa z 4 niewielkich gwintowanych otworów (**I**) znajdujących się pod przednią wydłużoną częścią skrzyni biegów.



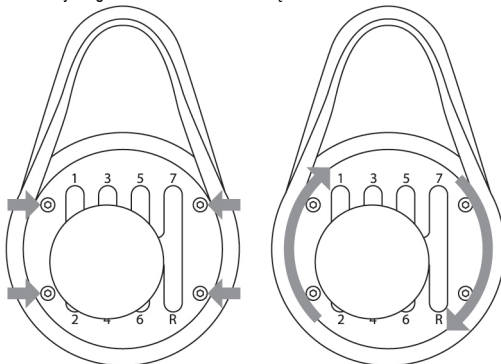
Nie używaj zbyt długich śrub M6, ponieważ mogą one przebić i uszkodzić górną powierzchnię przedniej części skrzyni biegów.

Szablon do montażu skrzyni biegów w kokpicie jest dostępny na stronie <http://support.thrustmaster.com> (kliknij Racing Wheels / TH8A Shifter, a następnie wybierz Manual.).

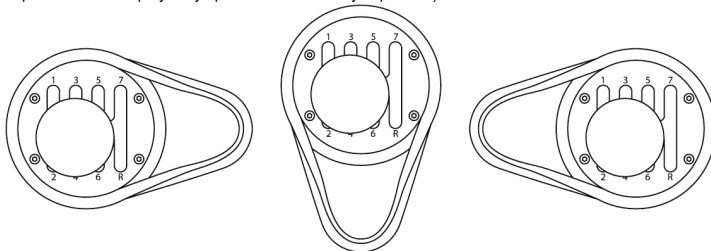
USTAWIANIE I OBRACANIE ZACISKU (ZAKRES REGULACJI — 360°)

1. Za pomocą dostarczonego klucza imbusowego 2,5 mm (**E**) **nieznacznie odkręć** 4 śruby mocujące nakładkę do zmiany biegów (**C lub D**).

Nakładkę do zmiany biegów można teraz obrócić ręcznie o 360°.



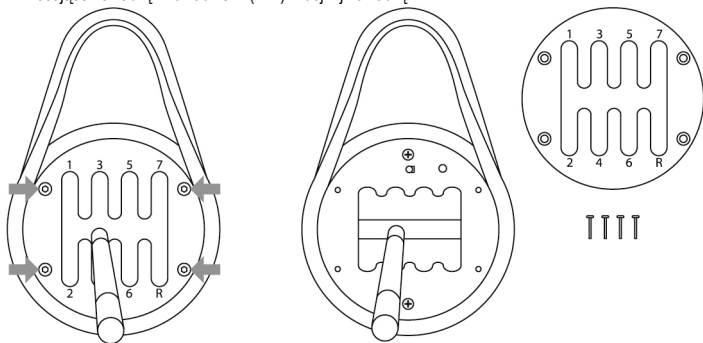
2. Wybierz preferowane położenie w ramach 360-stopniowego zakresu obrotu (poniżej przedstawiono 3 przykłady spośród wielu możliwych położeń).



3. Dokręć 4 śruby mocujące nakładkę do zmiany biegów.

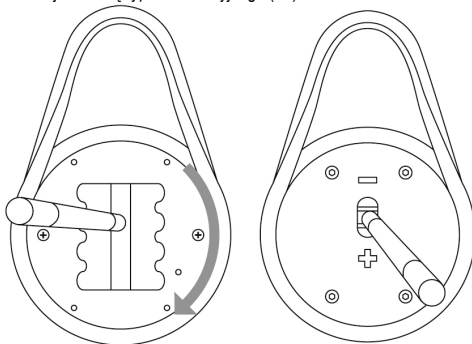
ZAMIANA NAKŁADKI W UKŁADZIE H (7+1) NA NAKŁADKĘ TYPU SEKWENCYJNEGO (+/-)

1. Odkręć (przeciwnie do ruchu wskazówek zegara) i zdejmij gałkę zmiany biegów (A).
2. Za pomocą dostarczonego klucza imbusowego 2,5 mm (E) całkowicie wykręć i wyjmij 4 śruby mocujące nakładkę w układzie H (7+1). Zdejmij nakładkę.

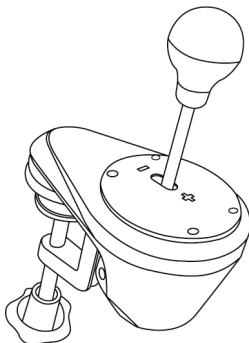


Podczas wykonywania tych czynności uważaj, aby żadna ze śrub nie wpadła przypadkowo do mechanizmu wewnętrznego.

3. Ręcznie obróć mechanizm wewnętrzny o 90° w prawo (zgodnie z ruchem wskazówek zegara). Następnie zainstaluj nakładkę typu sekwencyjnego (+/-).

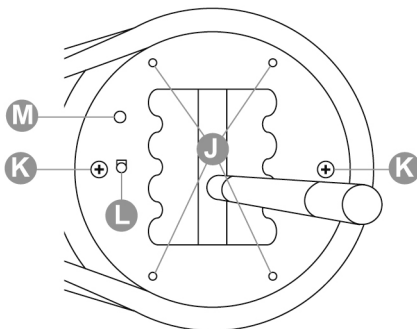


4. Za pomocą dostarczonego klucza imbusowego 2,5 mm (**E**) włoż i dobrze dokręć 4 śruby mocujące nakładkę typu sekwencyjnego (+/-). Wkręć gałkę zmiany biegów (zgodnie z ruchem wskazówek zegara).



Aby ponownie założyć nakładkę do zmiany biegów w układzie H (7+1), wykonaj opisaną procedurę w odwrotnej kolejności.

Uwagi dotyczące pokrywy mechanizmu wewnętrznego:



J: 4 gwintowane otwory umożliwiające montaż nakładek do zmiany biegów (**C lub D**).

K: 2 śruby mocujące mechanizm wewnętrzny (nie odkręcać).

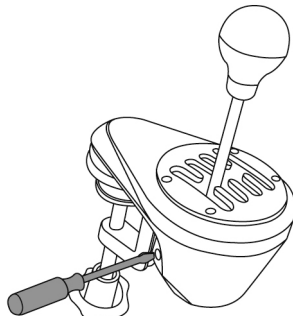
L: Przycisk, który automatycznie wykrywa rodzaj używanej nakładki do zmiany biegów (**C lub D**).
Wciskany **automatycznie** w przypadku zainstalowania nakładki typu sekwencyjnego (+/-).
Miejsce to należy utrzymywać w czystości, aby uniknąć problemów z wykrywaniem nakładki.

M: Otwór ułatwiający ustawianie nakładek do zmiany biegów.

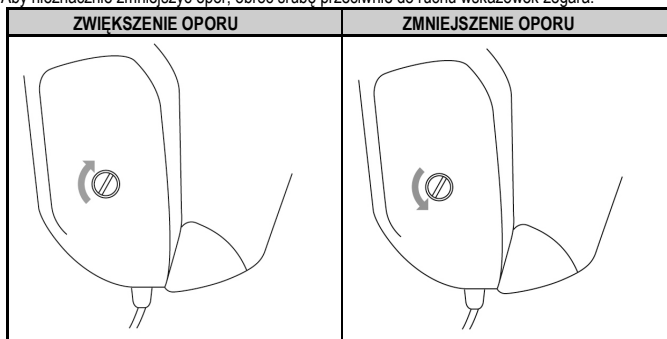
REGULOWANIE OPORU ZMIANY BIEGÓW

* Dotyczy tylko nakładki do zmiany biegów w układzie H (7+1).

* Przed rozpoczęciem jakichkolwiek czynności regulacyjnych nakładka do zmiany biegów w układzie H (7+1) **musi** być zainstalowana w pierwotnym położeniu (zobacz poniższy schemat).



1. Przygotuj duży śrubokręt z płaską końcówką, a następnie włóż końcówkę śrubokrętu w łeb wewnętrznej śruby naprężającej (G) znajdującej się w lewej dolnej części obudowy skrzyni biegów.
2. Aby nieznacznie zwiększyć opór, obróć śrubę zgodnie z ruchem wskazówek zegara.
3. Aby nieznacznie zmniejszyć opór, obróć śrubę przeciwnie do ruchu wskazówek zegara.



Do przejścia z jednego położenia skrajnego w drugie wystarczą dwa pełne obroty.



Aby nie uszkodzić układu:

- Przystań dokręcać śrubę, gdy poczujesz silny opór.
- Przystań odkręcać śrubę, gdy drążek stanie się luźny i zacznie się chwiać.

PLAYSTATION®3

= We wszystkich grach na konsolę PS3™ skrzynię biegów TH8A należy zawsze podłączać(*) bezpośrednio do jednego z portów USB konsoli PS3™ (NIE do podstawy kierownicy Thrustmaster).

- Podłącz złącze DIN skrzyni biegów TH8A do kabla DIN-USB.
- Podłącz skrzynię biegów TH8A do jednego z portów USB konsoli PS3™.
- Uruchoom grę.

Skrzynia biegów TH8A może działać z nakładkami do zmiany biegów w UKŁADZIE H (7+1) lub typu SEKWENCYJNEGO (+/-).

(*) **Ważne zalecenia dotyczące systemu PS3™** (tylko w przypadku korzystania z kierownicy Thrustmaster z wbudowanym złączem skrzyni biegów)

— Jeśli w skrzyni biegów TH8A używana jest nakładka do zmiany biegów typu SEKWENCYJNEGO (+/-), skrzynię można również podłączyć z tyłu kierownicy przy użyciu kabla DIN-DIN. Skrzynia biegów TH8A jest wówczas podłączona do łopatek zmiany biegów UP (= R1) i DOWN (= L1) znajdujących się w kierownicy.

W przypadku tej kierownicy nakładka typu SEKWENCYJNEGO (+/-) skrzyni biegów TH8A współpracuje ze wszystkimi grami wyścigowymi na konsolę PS3™, które są zgodne z kierownicą.

— W niektórych grach **jednocześnie mogą być używane dwie skrzynie biegów TH8A:**

Jedna skrzynia TH8A z nakładką do zmiany biegów w UKŁADZIE H (7+1), podłączona do portu USB konsoli PS3™

+ jedna skrzynia TH8A z nakładką do zmiany biegów typu SEKWENCYJNEGO (+/-), podłączona z tyłu kierownicy

* Lista gier na konsolę PS3™ zgodnych ze skrzynią biegów TH8A jest dostępna na poniższej stronie:

<http://support.thrustmaster.com> (kliknij Racing Wheels / TH8A Shifter, a następnie wybierz Games settings). Lista jest regularnie aktualizowana.

* W przypadku konsoli PS3™ odradzamy korzystanie z koncentratora USB przy podłączaniu kierownicy lub skrzyni biegów TH8A do konsoli. Urządzenie należy podłączyć bezpośrednio do jednego z portów USB konsoli PS3™.

* W niektórych grach do prawidłowego działania skrzyni biegów TH8A wymagane jest zainstalowanie najnowszych aktualizacji (konsola do gier musi być połączona z Internetem).

W zależności od gry na konsolę PS4™ lub używanej kierownicy:

= Podłącz(*) skrzynię biegów TH8A bezpośrednio do portu USB konsoli PS4™

- Podłącz złącze **DIN** skrzyni biegów TH8A do kabla **DIN-USB**.
- Podłącz skrzynię biegów TH8A do jednego z portów USB konsoli PS4™.
- Uruchoom grę.

Skrzynia biegów TH8A może działać z nakładkami do zmiany biegów w UKŁADZIE H (7+1) lub typu SEKWENCYJNEGO (+/-).

-lub-

= Podłącz(*) skrzynię biegów TH8A bezpośrednio do podstawy kierownicy Thrustmaster

(tylko w przypadku kierownicy Thrustmaster z wbudowanym złączem skrzyni biegów)

- Podłącz złącze **DIN** skrzyni biegów TH8A do kabla **DIN-DIN**.
- Podłącz skrzynię biegów TH8A do złącza skrzyni znajdującego się z tyłu podstawy kierownicy.
- Podłącz kierownicę, a następnie uruchoom grę.

Skrzynia biegów TH8A może działać z nakładkami do zmiany biegów w UKŁADZIE H (7+1) lub typu SEKWENCYJNEGO (+/-).

(*) Ważne zalecenia dotyczące systemu PS4™ (tylko w przypadku korzystania z kierownicy Thrustmaster z wbudowanym złączem skrzyni biegów)

— Jeśli w skrzyni biegów TH8A używana jest nakładka do zmiany biegów typu **SEKWENCYJNEGO (+/-)**, skrzynię można również podłączyć z tyłu kierownicy przy użyciu kabla **DIN-DIN**. Skrzynia biegów TH8A jest wówczas podłączona do łopatek zmiany biegów **UP (= R1)** i **DOWN (= L1)** znajdujących się w kierownicy.

W przypadku tej kierownicy nakładka typu **SEKWENCYJNEGO (+/-)** skrzyni biegów TH8A współpracuje ze wszystkimi grami wyścigowymi na konsolę PS4™, które są zgodne z kierownicą.

— W niektórych grach **jednocześnie mogą być używane dwie skrzynie biegów TH8A:**

Jedna skrzynia TH8A z nakładką do zmiany biegów w UKŁADZIE H (7+1), podłączona do portu USB konsoli PS4™

+ jedna skrzynia TH8A z nakładką do zmiany biegów typu SEKWENCYJNEGO (+/-), podłączona z tyłu kierownicy

* Lista gier na konsolę PS4™ zgodnych ze skrzynią biegów, a także odpowiednie instrukcje podłączania(*) (która różni się w zależności od gry), są dostępne na poniższej stronie: <http://support.thrustmaster.com> (kliknij Racing Wheels / TH8A Shifter, a następnie wybierz Games settings). Lista jest regularnie aktualizowana.

* W przypadku konsoli PS4™ odradzamy korzystanie z koncentratora USB przy podłączaniu kierownicy lub skrzyni biegów TH8A. Urządzenie należy podłączyć bezpośrednio do jednego z portów USB konsoli PS4™.

* W niektórych grach do prawidłowego działania skrzyni biegów TH8A wymagane jest zainstalowanie najnowszych aktualizacji (konsola do gier musi być połączona z Internetem).

XBOX ONE

= We wszystkich grach na konsolę Xbox One skrzynię biegów TH8A należy zawsze podłączać bezpośrednio do podstawy kierownicy Thrustmaster (NIGDY do portu USB konsoli).

- Podłącz złącze DIN skrzyni biegów TH8A do kabla DIN-DIN.
- Podłącz skrzynię biegów TH8A do złącza skrzyni znajdującego się z tyłu podstawy kierownicy.
- Podłącz kierownicę, a następnie uruchom grę.

Skrzynia biegów TH8A może działać z nakładkami do zmiany biegów w UKŁADZIE H (7+1) lub typu SEKWENCYJNEGO (+/-).

Ważna uwaga dotycząca konsoli Xbox One:

Jeśli w skrzyni biegów TH8A używana jest nakładka do zmiany biegów typu SEKWENCYJNEGO (+/-), skrzynia jest wówczas podłączona do łopatek zmiany biegów UP (= RB) i DOWN (= LB) znajdujących się w kierownicy.

Jeśli w skrzyni biegów TH8A używana jest nakładka do zmiany biegów typu SEKWENCYJNEGO (+/-), skrzynia współpracuje ze wszystkimi grami wyścigowymi na konsolę Xbox One, które są zgodne z kierownicą Thrustmaster dla konsoli Xbox One.

* Lista gier na konsolę Xbox One zgodnych ze skrzynią biegów TH8A jest dostępna na poniższej stronie:

<http://support.thrustmaster.com> (kliknij Racing Wheels / TH8A Shifter, a następnie wybierz Games settings). Lista jest regularnie aktualizowana.

* W niektórych grach do prawidłowego działania skrzyni biegów TH8A wymagane jest zainstalowanie najnowszych aktualizacji (konsola do gier musi być połączona z Internetem).



W celu zapewnienia zgodności kierownicy Thrustmaster dla konsoli Xbox One ze skrzynią biegów TH8A może być wymagana aktualizacja oprogramowania sprzętowego kierownicy. Dostęp do jego najnowszej wersji można uzyskać przy użyciu komputera na następującej stronie: <http://support.thrustmaster.com> (kliknij Racing Wheels / TH8A Shifter, a następnie wybierz Firmware).

= We wszystkich grach na komputer PC (*) skrzynię biegów TH8A należy zawsze podłączać bezpośrednio do jednego z portów USB komputera.

- Podłącz złącze DIN skrzyni biegów TH8A do kabla DIN-USB.
- Podłącz skrzynię biegów TH8A do jednego z portów USB komputera.
- Po podłączeniu do komputera PC skrzynia biegów TH8A jest urządzeniem Plug & Play, które komputer wykrywa i instaluje automatycznie.
- W Panelu sterowania systemu Windows® urządzenie jest wyświetlane jako „T500 RS Gear Shift”.
- Aby wyświetlić i przetestować funkcje urządzenia, kliknij Właściwości.
- Uruchoom grę.

Teraz możesz zacząć wyścigi!

(*) **Ważne zalecenia dotyczące komputera PC** (tylko w przypadku korzystania z kierownicy Thrustmaster z wbudowanym złączem skrzyni biegów)

— Jeśli w skrzyni biegów TH8A używana jest nakładka do zmiany biegów typu SEKWENCYJNEGO (+/-), skrzynię można również podłączyć z tyłu kierownicy przy użyciu kabla DIN-DIN. Skrzynia biegów TH8A jest wówczas podłączona do łopatek zmiany biegów UP (= 2) i DOWN (= 1) znajdujących się w kierownicy.

W przypadku tej kierownicy nakładka typu SEKWENCYJNEGO (+/-) skrzyni biegów TH8A współpracuje ze wszystkimi grami wyścigowymi na komputer PC, które są zgodne z kierownicą.

— W niektórych grach **jednocześnie mogą być używane dwie skrzynie biegów TH8A:**

Jedna skrzynia TH8A z nakładką do zmiany biegów w UKŁADZIE H (7+1), podłączona do portu USB komputera

- + jedna skrzynia TH8A z nakładką do zmiany biegów typu SEKWENCYJNEGO (+/-), podłączona z tyłu kierownicy

* W przypadku komputera PC skrzynia biegów Thrustmaster jest zgodna z:

- wszystkimi grami obsługującymi funkcję MULTI-USB i skrzynie biegów,
- wszystkimi kierownicami dostępnymi na rynku.

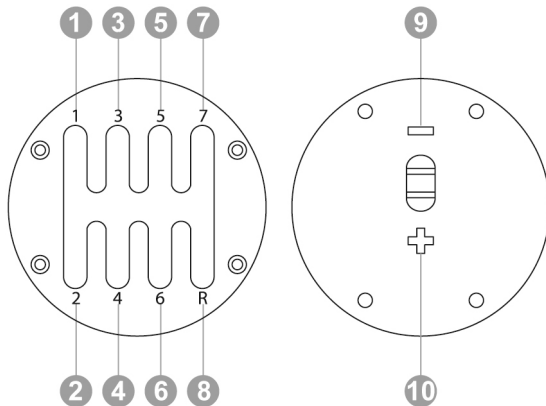
* Zalecamy podłączanie kierownicy i skrzyni biegów TH8A bezpośrednio do portów USB 2.0 (nie USB 3.0) w komputerze, bez korzystania z koncentratora.

* W przypadku niektórych gier na komputer PC **należy koniecznie** zainstalować najnowsze aktualizacje gry, aby umożliwić prawidłowe działanie skrzyni biegów Thrustmaster.

* W niektórych grach na komputer PC (w celu uniknięcia konfliktów między kierownicą i skrzynią biegów) konieczne może być:

- nieprzypisywanie żadnych funkcji do łopatek zmiany biegów w kierownicy,
- aktywowanie funkcji „Hold button for gear” (powodującej zmianę biegu przez naciśnięcie przycisku).

MAPOWANIE NA KOMPUTERZE PC



PAKIET OPROGRAMOWANIA

Pod adresem <http://support.thrustmaster.com> (kliknij Racing Wheels / TH8A Shifter, a następnie wybierz Drivers) dostępny jest pakiet oprogramowania.

— Po zainstalowaniu pakietu można:

- * sprawdzić wersję oprogramowania sprzętowego skrzyni biegów,
- * w razie potrzeby zaktualizować oprogramowanie sprzętowe do najnowszej dostępnej wersji,
- * użyć funkcji „BOOTLOADER” (w celu przywrócenia skrzyni biegów do normalnego działania w razie utraty oprogramowania sprzętowego),
- * otworzyć specjalny panel sterowania (kontroler gier) na komputerze PC.
- * na komputerze PC — korzystać z trybu ANALOGOWEGO (hamulec ręczny)

ZAAWANSOWANY PROGRAM DO KALIBRACJI

Kalibracja skrzyni biegów TH8A jest wykonywana automatycznie.

Na tej stronie dostępny jest zaawansowany program do kalibracji na komputer PC: <http://support.thrustmaster.com> (kliknij Racing Wheels / TH8A Shifter, a następnie wybierz Software). Pozwala on dostosować do indywidualnych upodobań skok zmiany biegów.

Wprowadzone ustawienia są natychmiast zapisywane w wewnętrznej pamięci skrzyni biegów (i można ich używać na konsolach PS3™, PS4™ i Xbox One oraz na komputerze PC).

PODSUMOWANIE INSTRUKCJI PODŁĄCZANIA SKRZYNI BIEGÓW TH8A DO RÓŻNYCH SYSTEMÓW

	Jak podłączyć skrzynię biegów TH8A
PS3™	Zawsze(*) bezpośrednio do konsoli PS3™ (USB)
PS4™	<u>W zależności od gry lub kierownicy (*)</u> : — Albo bezpośrednio do konsoli PS4™ (USB) — Albo z tyłu kierownicy (DIN)
XBOX ONE	Zawsze z tyłu kierownicy (DIN)
PC	Zawsze(*) bezpośrednio do komputera PC (USB)

(*) Więcej informacji na temat ewentualnych wyjątków można znaleźć w sekcjach **Ważne zalecenia** na odpowiednich stronach niniejszej instrukcji.

OSTRZEŻENIE

* Skrzyni biegów TH8A nie wolno podłączać bezpośrednio do jakiegokolwiek urządzenia innego niż kierownica Thrustmaster, nawet jeśli zawiera ono złącze DIN. Takie podłączenie może doprowadzić do uszkodzenia skrzyni biegów TH8A lub drugiego urządzenia.

ROZWIĄZYWANIE PROBLEMÓW

* Skrzynia biegów nie działa prawidłowo lub wydaje się niewłaściwie skalibrowana:

— Wyłącz komputer lub konsolę, odłącz skrzynię biegów, a następnie podłącz ją ponownie i uruchom ponownie grę.

— W menu opcji/kontrolera dostępnym w grze wybierz lub określ najbardziej odpowiednią konfigurację.

— Więcej informacji znajdziesz w instrukcji obsługi gry lub jej pomocy online.

— Wiele materiałów pomocniczych i wskazówek (niezawartych w tej instrukcji), listę zgodnych gier itp. można znaleźć na stronie internetowej <http://support.thrustmaster.com>. Kliknij Racing Wheels / TH8A Shifter.

— W przypadku konsoli Xbox One w celu zapewnienia zgodności kierownicy Thrustmaster dla Xbox One ze skrzynią biegów TH8A może być wymagana aktualizacja oprogramowania sprzętowego kierownicy. Dostęp do jego najnowszej wersji można uzyskać przy użyciu komputera na następującej stronie: <http://support.thrustmaster.com> (kliknij Racing Wheels / TH8A Shifter, a następnie wybierz Firmware).

INFORMACJE DOTYCZĄCE GWARANCJI DLA KLIENTA

Firma Guillemot Corporation S.A. z siedzibą pod adresem Place du Granier, B.P. 97143, 35571 Chantepie, Francja („Guillemot”) udziela klientowi obowiązującej na całym świecie gwarancji, że niniejszy produkt Thrustmaster będzie wolny od wad materiałowych i produkcyjnych przez okres gwarancji równy limitowi czasu, w którym klient może występować z roszczeniami z tytułu wad niniejszego produktu. W krajach Unii Europejskiej jest to okres dwóch (2) lat od dostarczenia produktu Thrustmaster. W innych krajach okres gwarancji jest równy limitowi czasu, w którym klient może występować z roszczeniami z tytułu wad produktu Thrustmaster zgodnie z przepisami obowiązującymi w kraju, w którym klient mieszkał w dniu zakupu produktu Thrustmaster. (Jeśli przepisy danego kraju nie przewidują występowania z takimi roszczeniami, okres gwarancji będzie wynosił jeden (1) rok od pierwotnej daty zakupu produktu Thrustmaster).

Jeśli w okresie gwarancji wystąpią objawy mogące świadczyć o wadzie produktu, należy niezwłocznie skontaktować się z działem pomocy technicznej, który wskaże dalszy sposób postępowania. W razie potwierdzenia wady produkt należy zwrócić w punkcie zakupu (lub innym miejscu wskazanym przez dział pomocy technicznej).

W ramach niniejszej gwarancji wadliwy produkt zostanie wymieniony lub przywrócony do stanu sprawności użytkowej, zgodnie z decyzją działu pomocy technicznej. Jeśli w okresie gwarancji produkt Thrustmaster zostanie poddany czynnościom mającym na celu przywrócenie go do stanu użytkowego, dowolny okres co najmniej siedmiu (7) dni, podczas których produkt nie jest użytkowany, zostanie dodany do pozostałego okresu gwarancji (okres ten liczy się od dnia, w którym klient poprosi o interwencję, lub od dnia, w którym dany produkt zostanie udostępniony celem przywrócenia do stanu użytkowego, jeśli data udostępnienia celem przywrócenia do stanu użytkowego następuje po dacie prośby o interwencję). Jeśli zezwala na to obowiązujące prawo, całkowita odpowiedzialność firmy Guillemot i jej podmiotów zależnych (łącznie z odpowiedzialnością za szkody wtórne) ogranicza się do przywrócenia do stanu użytkowego lub wymiany produktu Thrustmaster. Jeśli zezwala na to obowiązujące prawo, firma Guillemot wyłącza wszelkie gwarancje pokupności i przydatności do określonego celu.

Niniejsza gwarancja nie obowiązuje: (1) w przypadku, gdy produkt został zmodyfikowany, otwarty, zmieniony albo uszkodzony na skutek nieodpowiedniego lub nadmiernego użytkowania, niedbałości, wypadku, normalnego zużycia lub z innego powodu niezwiązanego z wadą materiałową ani produkcyjną (w tym między innymi z powodu połączenia produktu Thrustmaster z nieodpowiednim elementem, w tym w szczególności z zasilaczem, akumulatorem, ładowarką lub jakimkolwiek innym elementem niedostarczonym przez firmę Guillemot dla tego produktu); (2) w przypadku używania produktu w sposób inny niż użytek domowy, w tym do celów zawodowych lub komercyjnych (na przykład w salonach gier albo do prowadzenia szkoleń lub zawodów); (3) w razie nieprzestrzegania instrukcji podanych przez dział pomocy technicznej; (4) w odniesieniu do oprogramowania, jako że oprogramowanie to jest objęte odrębną szczegółową gwarancją; (5) w odniesieniu do materiałów eksploatacyjnych (elementów wymienianych w czasie eksploatacji produktu, na przykład baterii jednorazowych, muszli/nakładek na uszy do zestawów słuchawkowych lub słuchawek); (6) w odniesieniu do akcesoriów (na przykład kabli, pokrowców, etui, torebek, pasków na rękę); (7) w przypadku sprzedania produktu na aukcji publicznej.

Niniejsza gwarancja nie podlega przeniesieniu.

Niniejsza gwarancja nie wpływa na prawa klienta wynikające z przepisów dotyczących sprzedaży dóbr konsumenckich w kraju klienta.

Dodatkowe postanowienia gwarancyjne

W okresie gwarancji firma Guillemot zasadniczo nie udostępnia jakichkolwiek części zamiennych, ponieważ jedynym podmiotem upoważnionym do otwarcia jakiegokolwiek produktu Thrustmaster i/lub przywrócenia go do stanu użytkowego jest dział pomocy technicznej (oprócz ewentualnych procedur przywracania produktu do stanu użytkowego, o wykonanie których dział pomocy technicznej może poprosić klienta przez przekazanie pisemnych instrukcji — np. ze względu na prostotę i jawność procesu przywracania do stanu użytkowego — oraz, w razie potrzeby, przez udostępnienie klientowi wymaganych części zamiennych).

Ze względu na realizowane cykle innowacji oraz konieczność zapewnienia ochrony swojej specjalistycznej wiedzy i tajemnic handlowych firma Guillemot zasadniczo nie udostępnia powiadomień dotyczących przywracania do stanu użytkowego ani części zamiennych w przypadku produktów Thrustmaster, których okres gwarancji upłynął.

Odpowiedzialność

Jeśli zezwala na to obowiązujące prawo, firma Guillemot Corporation S.A. („Guillemot”) i jej podmioty zależne nie ponoszą żadnej odpowiedzialności za szkody spowodowane przez co najmniej jeden z następujących czynników: (1) modyfikację lub otwarcie produktu bądź wprowadzenie w nim zmian; (2) nieprzestrzeganie instrukcji montażu; (3) nieodpowiednie lub nadmierne użytkowanie, niedbałość, wypadek (na przykład uderzenie); (4) normalne zużycie; (5) używanie produktu w sposób inny niż użytek domowy, w tym do celów zawodowych lub komercyjnych (na przykład w salonach gier albo do prowadzenia szkoleń lub zawodów). Jeśli zezwala na to obowiązujące prawo, firma Guillemot i jej podmioty zależne nie ponoszą żadnej odpowiedzialności za szkody niezwiązane z wadą materiałową lub produkcyjną produktu (w tym między innymi za szkody spowodowane bezpośrednio lub pośrednio przez jakiegokolwiek oprogramowanie lub na skutek połączenia produktu Thrustmaster z nieodpowiednim elementem, w tym w szczególności z zasilaczem, akumulatorem, ładowarką lub jakimkolwiek innym elementem niedostarczonym przez firmę Guillemot dla tego produktu).

THRUSTMASTER®

WSPARCIE TECHNICZNE

<http://support.thrustmaster.com>



PRAWA AUTORSKIE

© 2017 Guillemot Corporation S.A. Wszelkie prawa zastrzeżone. Thrustmaster® jest zastrzeżonym znakiem towarowym firmy Guillemot Corporation S.A. Wszystkie inne znaki towarowe stanowią własność odpowiednich podmiotów. Ilustracje nie są wiążące prawnie. Treść, wzory i dane techniczne przedstawione w instrukcji mogą ulec zmianie bez powiadomienia i mogą różnić się w zależności od kraju. Wyprodukowano w Chinach.

ZALECENIE DOTYCZĄCE OCHRONY ŚRODOWISKA



* Na terenie Unii Europejskiej: gdy okres przydatności produktu do eksploatacji dobiegnie końca, produktu nie należy pozbywać się wraz ze zwykłymi odpadami z gospodarstwa domowego, ale oddać do recyklingu w punkcie zbiórki zużytego sprzętu elektrycznego i elektronicznego. Potwierdza to symbol znajdujący się na produkcie, w instrukcji obsługi lub na opakowaniu.

Zależnie od swoich właściwości materiały zawarte w produkcie mogą nadawać się do recyklingu. Dzięki recyklingowi i innym formom utylizacji zużytych urządzeń elektrycznych i elektronicznych klient może w znacznym stopniu przyczynić się do

ochrony środowiska. Aby uzyskać informacje o najbliższych punktach zbiórki odpadów, należy skontaktować z miejscowymi władzami.

We wszystkich innych krajach: należy przestrzegać miejscowych przepisów dotyczących recyklingu sprzętu elektrycznego i elektronicznego.

Niniejsze informacje należy zachować. Kolorystyka i elementy ozdobne mogą różnić się od przedstawionych.

Przed korzystaniem z produktu należy zdjąć z niego plastikowe elementy mocujące oraz naklejki.

www.thrustmaster.com

**Dotyczy wyłącznie UE i Turcji*

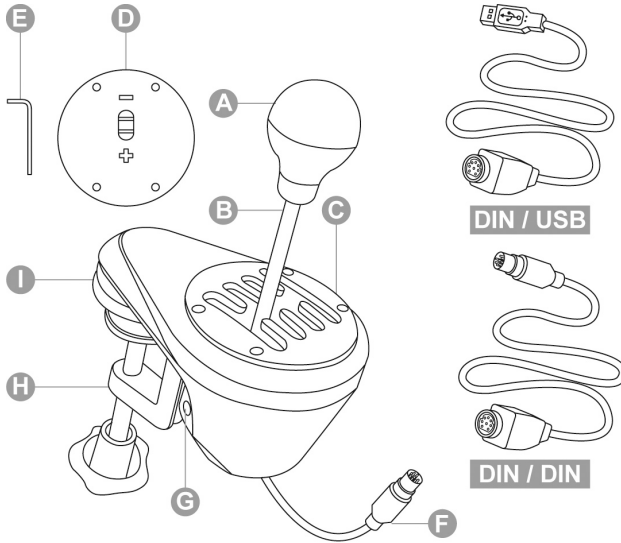


TH8A

ADD-ON SHIFTER

الكمبيوتر - PlayStation®3 – PlayStation®4 – Xbox One

دليل المستخدم



المميزات الفنية

- | | |
|--|---|
| A مقبض لזراع تبديل السرعة قابل للفصل
(غير مثبت بشكل افتراضي) | F الكابل وموصل DIN |
| B عصا | G مسمار شد داخلي |
| C لوحة تبديل السرعة "نمط H (7+1)" قابلة للضغط
(مثبتة بشكل افتراضي) | H جهاز تثبيت قابل للضغط |
| D لوحة تبديل السرعة "التسلسلية (+/-)" قابلة للضغط
(غير مثبتة بشكل افتراضي) | I "أسنان لولبية" للتركيب في كراسي السباق |
| E مفتاح ألن 2.5مم (مضمن) | |

كابل DIN / USB القابل للفصل
كابل DIN / DIN القابل للفصل

قبل استخدام هذا المنتج، يجب قراءة هذا الدليل بالكامل بعناية. واحتفظ به للرجوع إليه في المستقبل.

⚠️ تحذير – الصدمة الكهربائية

- * احتفظ بهذا المنتج في مكان جاف ولا تعرضه للأتربة أو ضوء الشمس.
- * تجنب مراعاة اتجاه إدخال الموصلات.
- * لا تقم بثنى الموصلات والكابلات أو شدّها.
- * تجنب سكب أي سوائل على المنتج أو على الموصل الخاص به.
- * تجنب استخدام دائرة قصر مع المنتج.
- * لا تقم بفك هذا المنتج (باستثناء عمليات الضبط الممكنة الموضحة في هذا الدليل)، ولا تحاول حرق المنتج ولا تعريضه لدرجات حرارة مرتفعة.

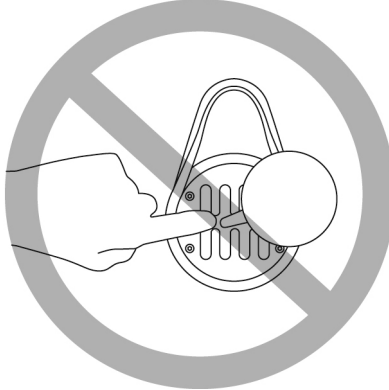
⚠️ تحذير – الإصابات الناتجة عن الحركات المتكررة

- قد يؤدي اللعب باستخدام ذراع تبديل السرعة إلى الإصابة بالآلام في العضلات والمفاصل. لتجنب حدوث أية مشاكل:
- * تجنب اللعب لفترات زمنية طويلة.
- * خذ قسطاً من الراحة لمدة 10 إلى 15 دقيقة بعد كل ساعة من اللعب.
- * في حالة الشعور بالتعب أو الألم في اليدين أو الرسغين أو الذراعين، توقف عن اللعب واسترح ليضع ساعات قبل بدء اللعب مرة أخرى.
- * إذا استمرت الأعراض أو الآلام الموضحة أعلاه عند استئناف اللعب، فتوقف عن اللعب واستشر الطبيب.
- * تحقق من أن قاعدة ذراع تبديل السرعة مثبتة بشكل صحيح، كما هو موضح في التعليمات الموجودة في هذا الدليل.

⚠️ تحذير – خطر التعرض للقرص في فتحات لوحة تبديل السرعة

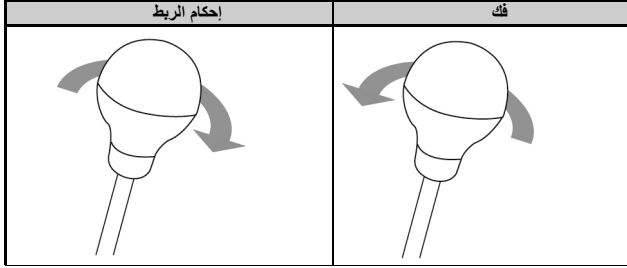
- * احتفظ بالمنتج بعيداً عن متناول يد الأطفال.
- * عند لعب لعبة، تجنب وضع أصابعك (أو أي جزء آخر من جسمك) في فتحات لوحات تبديل السرعة.

لا تفعل هذا مطلقاً



تركيب مقبض ذراع تبديل السرعة

1. لتثبيت مقبض ذراع تبديل السرعة (A) على العصا الخاصة به (B): أدر مقبض ذراع تبديل السرعة باتجاه عقارب الساعة.
2. لفك مقبض ذراع تبديل السرعة: أدر المقبض في عكس اتجاه عقارب الساعة.



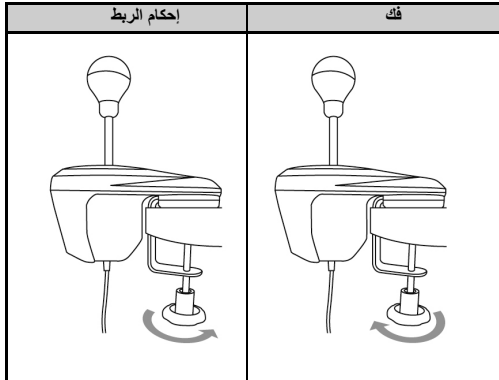
تركيب ذراع تبديل السرعة

تم تحسين عملية التركيب لتناسب أي نوع من أنواع الدعامات:

- المناضد أو الطاولات أو الأرفف ذات سمك يتراوح من 1 إلى 55 مم، عن طريق جهاز التثبيت (H).
- كراسي السباق، عن طريق "الأسنان اللولبية" المضمنة (يمكن فصل جهاز التثبيت).

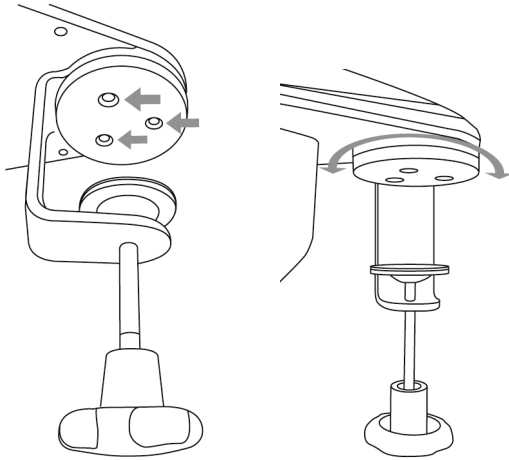
تركيب ذراع تبديل السرعة على منضدة أو طاولة

1. ضع الجزء الناتج من ذراع تبديل السرعة على منضدة أو سطح مستوي آخر.
2. لإحكام الربط: أدر عجلة التثبيت في عكس اتجاه عقارب الساعة.
3. للفك: أدر عجلة التثبيت في اتجاه عقارب الساعة.

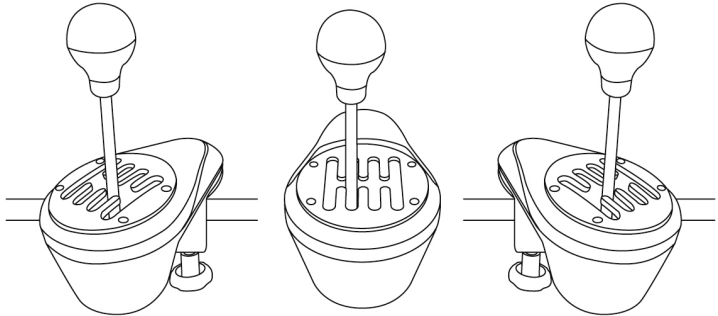


ضبط موضع جهاز التثبيت وتدويره (يمكن ضبطه بمقدار 360 درجة)

1. باستخدام مفتاح الـ 2.5 مم المضمن (E)، قم بإجراء فك جزئي للمسامير الثلاثة التي تُبقي جهاز التثبيت (H) في موضعه.
يمكن الآن تدوير جهاز التثبيت (وبالتالي ذراع تبديل السرعة بالكامل) يدويًا بمقدار 360 درجة.

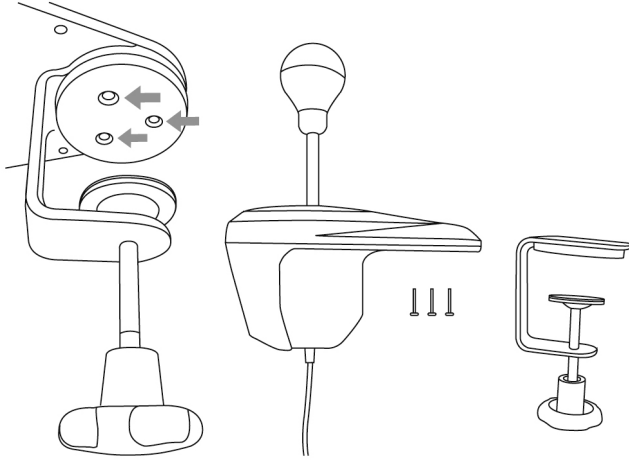


2. حدد الموضع المفضل لديك أثناء التدوير بمقدار 360 درجة (موضح أدناه 3 أمثلة، من بين الكثير من الاحتمالات الأخرى المتاحة).
بعد ذلك، أعد إحكام ربط المسامير الثلاثة التي تُبقي جهاز التثبيت في موضعه.

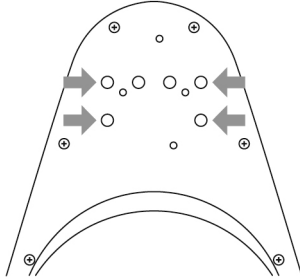


تركيب ذراع تبديل السرعة في أحد كرسي السباق

1. باستخدام مفتاح ألن 2.5 مم المضمن (E)، قم بفتح المسامير الثلاثة التي تُبقي جهاز التثبيت (H) في موضعه وإزالتها تمامًا. افصل جهاز التثبيت عن ذراع تبديل السرعة.



2. بعد إزالة جهاز التثبيت، قم بلف مسامير "M6" (غير مضمنين) وربطهما في رف كرسي السباق وفي اثنين من "الأسنان اللولبية" (I) الأربعة الصغيرة الموجودة على الجانب السفلي من الجزء الناتئ لذراع تبديل السرعة.

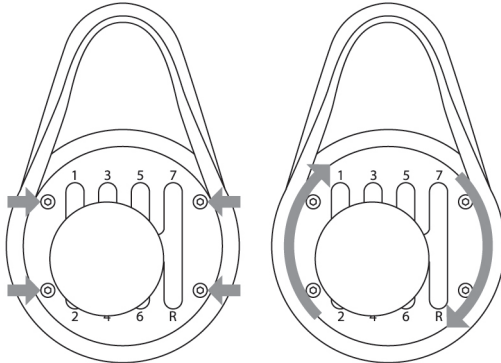


تأكد من عدم استخدام مسامير "M6" الطويلة للغاية، والتي قد تؤدي إلى ثقوب الجزء العلوي من الجزء الناتئ لذراع تبديل السرعة وإتلافه.

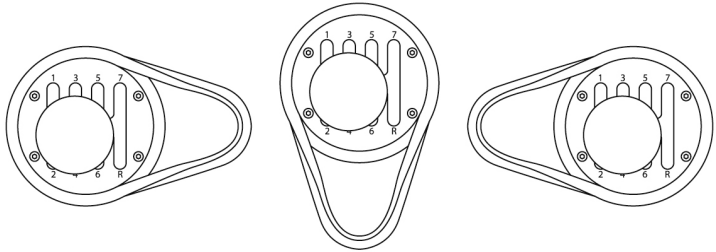
يتوفر قالب تثبيت ناقل السرعة لمقصورة القيادة على الموقع: <http://support.thrustmaster.com> (انقر فوق < Manual < TH8A Shifter < Racing Wheels < Manual).

ضبط موضع لوحات تبديل السرعة وتدويرها (يمكن ضبطها بمقدار 360 درجة)

1. باستخدام مفتاح ألن 2.5 مم المضمن (E)، قم بإجراء فك جزئي للمسامير الأربعة التي تُبقي لوحة تبديل السرعة (C أو D) في موضعها.
يمكن الآن تدوير لوحة تبديل السرعة يدويًا بمقدار 360 درجة.



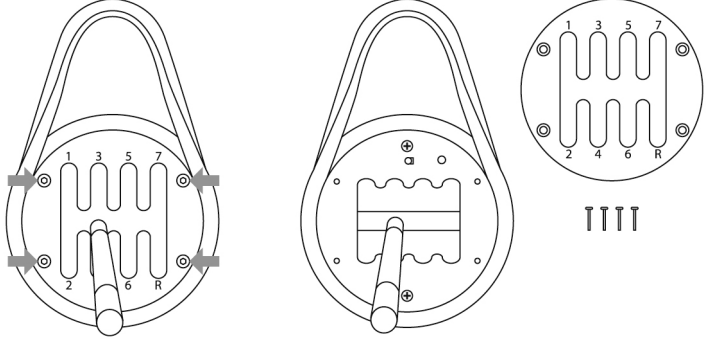
2. حدد الموضع المفضل لديك أثناء التدوير بمقدار 360 درجة (موضح أدناه 3 أمثلة، من بين الكثير من الاحتمالات الأخرى المتاحة).



3. أعد إحكام ربط المسامير الأربعة التي تُبقي لوحة تبديل السرعة في موضعها.

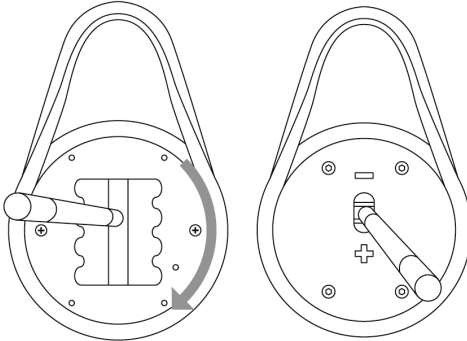
التحويل من لوحة تبديل السرعة "تمط (7+1) H"
إلى لوحة تبديل السرعة "التسلسلية (+/-)"

1. قم بفك مقبض ذراع تبديل السرعة (A) (في عكس اتجاه عقارب الساعة) وإزالته.
2. باستخدام مفتاح ألن 2.5 مم المضمن (E)، قم بفك المسامير الأربعة التي تُبقي لوحة تبديل السرعة "تمط H (7+1)" في موضعها وإزالتها تمامًا. قم بإزالة لوحة تبديل السرعة.

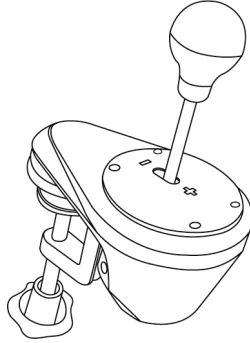


خلال هذا الإجراء، يجب مراعاة عدم إسقاط أي من هذه المسامير دون قصد في الأجزاء الداخلية.

3. قم بتدوير الهيكل الداخلي بمقدار 90 درجة يدويًا إلى اليمين (في اتجاه عقارب الساعة). ثم قم بتركيب لوحة تبديل السرعة "التسلسلية (+/-)".

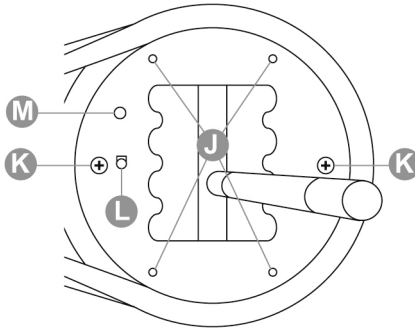


4. باستخدام مفتاح ألن 2.5 مم المضمن (E)، أعد تركيب المسامير الأربعة التي تُبقي لوحة تبديل السرعة "التسلسلية (+/-)" في موضعها وإحكام ربطها تمامًا. قم بتركيب مقبض ذراع تبديل السرعة مرة أخرى (لفه في اتجاه عقارب الساعة).



قم بتنفيذ هذا الإجراء بشكل عكسي لإعادة تركيب لوحة تبديل السرعة "نمط H (+1)".

ملاحظات خاصة بالغطاء العلوي للهيكل الداخلي:



J: 4 "أسنان لولبية" لربط لوحات تبديل السرعة (C أو D).

K: مسماران لإبقاء الهيكل الداخلي في موضعه (لا يتم فكهما).

L: زر يكتشف تلقائيًا نوع لوحة تبديل السرعة المستخدمة (C أو D). يتم الضغط عليه تلقائيًا عند تركيب لوحة تبديل السرعة "التسلسلية (+/-)". حافظ على نظافة هذه المنطقة لتجنب حدوث أية مشاكل في عملية الاكتشاف.

M: فتحة لمسهولة ضبط موضع لوحات تبديل السرعة.

* ينطبق فقط على لوحة تبديل السرعة "تمط H (7+1)".
 * قبل إجراء أية عمليات ضبط، **يجب** تركيب لوحة تبديل السرعة "تمط H (7+1)" في موضعها الأصلي (الرجاء رؤية الرسم أدناه).



1. باستخدام مفك كبير ذي رأس عريضة، ضع المفك في رأس مسمار الشد الداخلي (G) الموجود في الجزء السفلي الأيسر من غلاف ذراع تبديل السرعة.
2. لزيادة المقاومة قليلاً: أدر المسمار في اتجاه عقارب الساعة.
3. لتقليل المقاومة قليلاً: أدر المسمار في عكس اتجاه عقارب الساعة.

زيادة المقاومة	تقليل المقاومة

يكون إجراء دورتين كاملتين كافيًا للانتقال من أقصى درجة مقاومة إلى أدنى درجة أو العكس.



لتجنب تلف الجهاز:

- توقف عن إحكام ربط المسمار عند الشعور بمقاومة شديدة.
- توقف عن فك المسمار إذا أصبحت العصا غير ثابتة ومتأرجحة.

PLAYSTATION®3

= في جميع ألعاب PS3™، قم دائمًا بتوصيل (*) ناقل سرعة TH8A مباشرةً بأحد منافذ USB في PS3™ (وليس بقاعدة عجلة سباق Thrustmaster).
- قم بتوصيل موصل DIN لناقل سرعة TH8A بكابل DIN / USB.
- قم بتوصيل ناقل سرعة TH8A بأحد منافذ USB في PS3™.
- ابدأ اللعبة.
يمكن بعد ذلك تشغيل ناقل سرعة TH8A من خلال لوحة تبديل السرعة "نمط H (7+1)" أو لوحة تبديل السرعة "التسلسلية (-/+)".

(* **توصيات هامة لنظام PS3™** (تتطبق فقط في حالة استخدام عجلة سباق Thrustmaster التي تتضمن موصل ناقل السرعة المضمن)

- عند استخدام لوحة تبديل السرعة "التسلسلية (-/+)" لناقل سرعة TH8A، يمكنك أيضًا توصيل ناقل السرعة في الجانب الخلفي لعجلة السباق باستخدام كابل DIN / DIN القابل للفصل. بعد ذلك، يتم توصيل ناقل السرعة TH8A بناقلات السرعة ذات الريش العلوية (R1) والسفلية (L1) الخاصة بعجلة السباق.
باستخدام عجلة السباق هذه، تعمل لوحة تبديل السرعة التسلسلية (-/+) الخاصة بـ TH8A على النحر الصحيح في ألعاب سباق PS3™ التي تتوافق مع عجلة السباق.

- تُمكنك بعض الألعاب من استخدام ناقل سرعة TH8A في وقت واحد:
ناقل سرعة TH8A باستخدام لوحة تبديل السرعة "نمط H (7+1)"، المتصل بمنفذ USB الخاص بـ PS3™
+ ناقل سرعة TH8A باستخدام لوحة تبديل السرعة التسلسلية (-/+)، المتصل بالجانب الخلفي لعجلة السباق

* تتوفر قائمة ألعاب PS3™ التي تتوافق مع ناقل سرعة TH8A هنا على الموقع:

<http://support.thrustmaster.com>

(انقر فوق Games settings < TH8A Shifter < Racing Wheels). يتم تحديث هذه القائمة بانتظام.

* في أنظمة PS3™، نوصيك بعدم استخدام لوحة وصل USB عند توصيل عجلة السباق أو ناقل سرعة TH8A بوحدة التحكم في الألعاب؛ قم بتوصيل الجهاز مباشرةً بمنفذ USB الخاصة بـ PS3™.

* تتطلب منك بعض الألعاب تثبيت آخر التحديثات المتوفرة لكي يعمل ناقل السرعة TH8A بشكل صحيح (يجب توصيل وحدة التحكم بالألعاب بالإنترنت).

وفقاً للعبة PS4™ أو عجلة السباق التي تستخدمها:

- = قم بتوصيل (*) ناقل سرعة TH8A مباشرةً بمنفذ USB الخاص بـ PS4™.
- قم بتوصيل موصل DIN لناقل سرعة TH8A بكابيل DIN / USB.
- قم بتوصيل ناقل سرعة TH8A بأحد منافذ USB الخاصة بـ PS4™.
- ابدأ اللعبة.

يمكن بعد ذلك تشغيل ناقل سرعة TH8A من خلال لوحة تبديل السرعة "نمط H (7+1)" أو لوحة تبديل السرعة "التسلسلية (-/+)" .

= قم بتوصيل (*) ناقل سرعة TH8A مباشرةً بقاعدة عجلة سباق Thrustmaster (يتضمن موصل ناقل السرعة المضمن)

- قم بتوصيل موصل DIN لناقل سرعة TH8A بكابيل DIN / DIN القابل للفصل.
- قم بتوصيل ناقل سرعة TH8A بموصل ناقل السرعة الموجود في الجانب الخلفي لقاعدة عجلة السباق.
- قم بتوصيل عجلة السباق، ثم ابدأ اللعبة.
- يمكن بعد ذلك تشغيل ناقل سرعة TH8A من خلال لوحة تبديل السرعة "نمط H (7+1)" أو لوحة تبديل السرعة "التسلسلية (-/+)" .

(*) **توصيات هامة لنظام PS4™** (تتطبق فقط في حالة استخدام عجلة سباق Thrustmaster التي تتضمن موصل ناقل السرعة المضمن)

- عند استخدام لوحة تبديل السرعة "التسلسلية (-/+)" لناقل سرعة TH8A، يمكنك أيضاً توصيل ناقل السرعة في الجانب الخلفي لعجلة السباق باستخدام كابل DIN / DIN القابل للفصل. بعد ذلك، يتم توصيل ناقل السرعة TH8A بناقلات السرعة ذات الريش العلوية (R1 =) والسفلية (L1 =) الخاصة بعجلة السباق.
باستخدام عجلة السباق هذه، تعمل لوحة تبديل السرعة التسلسلية (-/+) لناقل السرعة TH8A بشكل كامل في ألعاب سباق PS4™ التي تتوافق مع عجلة السباق.

- تُمكنك بعض الألعاب من استخدام ناقل سرعة TH8A في وقت واحد:
ناقل سرعة TH8A باستخدام لوحة تبديل السرعة "نمط H (7+1)"، المتصل بمنفذ USB الخاص بـ PS4™
+ ناقل سرعة TH8A باستخدام لوحة تبديل السرعة التسلسلية (-/+)، المتصل بالجانب الخلفي لعجلة السباق

تتوفر قائمة ألعاب PS4™ التي تتوافق مع ناقل سرعة TH8A وإرشادات () التوصيل ذات الصلة (التي تختلف وفقاً للألعاب) هنا على الموقع:

<http://support.thrustmaster.com>

(انقر فوق **Racing Wheels < TH8A Shifter < Games settings**). يتم تحديث هذه القائمة بانتظام.

* في أنظمة PS4™، نوصيك بعدم استخدام لوحة وصل USB عند توصيل عجلة السباق أو ناقل سرعة TH8A؛ قم بتوصيل الجهاز مباشرةً بمنافذ USB الخاصة بـ PS4™.

* تتطلب منك بعض الألعاب تثبيت آخر التحديثات المتوفرة لكي يعمل ناقل السرعة TH8A بشكل صحيح (يجب توصيل وحدة التحكم بالألعاب بالإنترنت).

= في جميع ألعاب Xbox One، قم دائماً بتوصيل ناقل سرعة TH8A مباشرةً بقاعدة عجلة سباق Thrustmaster (وليس بمنفذ USB الخاص بوحدة التحكم بالألعاب).
 - قم بتوصيل موصل DIN لناقل سرعة TH8A بكابل DIN / DIN القابل للفصل.
 - قم بتوصيل ناقل سرعة TH8A بموصل ناقل السرعة الموجود في الجانب الخلفي لقاعدة عجلة السباق.
 - قم بتوصيل عجلة السباق، ثم ابدأ اللعبة.
 يمكن بعد ذلك تشغيل ناقل سرعة TH8A من خلال لوحة تبديل السرعة "نمط H (7+1)" أو لوحة تبديل السرعة "التسلسلية (-/+)"

ملاحظة هامة حول Xbox One:

عند استخدام لوحة تبديل السرعة "التسلسلية (-/+)" لناقل سرعة TH8A، يمكنك أيضاً توصيل ناقل السرعة بناقلات السرعة ذات الريش العلوية (RB) والمفلية (LB) الخاصة بعجلة السباق.
 عند استخدام لوحة تبديل السرعة التسلسلية (-/+) لناقل السرعة TH8A، يعمل ناقل السرعة TH8A على النحو الصحيح في ألعاب سباق Xbox One التي تتوافق مع عجلة سباق Thrustmaster لـ Xbox One.

* تتوفر قائمة ألعاب Xbox One التي تتوافق مع ناقل سرعة TH8A هنا على الموقع:

<http://support.thrustmaster.com>

(انقر فوق Racing Wheels < TH8A Shifter < Games settings). يتم تحديث هذه القائمة بانتظام.

* تتطلب منك بعض الألعاب تثبيت آخر التحديثات المتوفرة لكي يعمل ناقل السرعة TH8A بشكل صحيح (يجب توصيل وحدة التحكم بالألعاب بالإنترنت).



لضمان توافق عجلة سباق Thrustmaster لـ Xbox One مع ناقل سرعة TH8A، قد يلزمك تحديث البرنامج الثابت لعجلة السباق بأحدث إصدار متوفر عبر الكمبيوتر الشخصي هنا على الموقع) <http://support.thrustmaster.com> :
 انقر فوق Firmware < TH8A Shifter < Racing Wheels

= في جميع ألعاب (*) الكمبيوتر، قم دائماً بتوصيل ناقل سرعة TH8A مباشرةً بأحد منافذ USB في الكمبيوتر.

- قم بتوصيل موصل DIN لناقل سرعة TH8A بكابل DIN / USB.
 - قم بتوصيل ناقل سرعة TH8A بأحد منافذ USB في الكمبيوتر.
 - عند التوصيل بالكمبيوتر، يكون ناقل سرعة TH8A هو جهاز التوصيل والتشغيل ويتم الكشف عنه وتثبيته تلقائيًا.
 - يظهر الجهاز بعد ذلك كـ "تبديل سرعة T500 RS" في لوحة تحكم Windows®.
 - انقر فوق Properties (خصائص) لاختبار ميزات الجهاز وعرضها.
 - ابدأ اللعبة.
- أنت الآن جاهز للسباق!

(*) توصيات هامة حول أجهزة الكمبيوتر (تنطبق فقط في حالة استخدام عجلة سباق Thrustmaster التي تتضمن موصل ناقل السرعة المضمن)

- عند استخدام لوحة تبديل السرعة "التسلسلية (+/-)" لناقل سرعة TH8A، يمكنك أيضًا توصيل ناقل السرعة في الجانب الخلفي لعجلة السباق باستخدام كابل DIN / DIN القابل للفصل. بعد ذلك، يتم توصيل ناقل السرعة TH8A بناقلات السرعة ذات الريش العلوية (= 2) والسفلية (= 1) الخاصة بعجلة السباق. باستخدام عجلة السباق هذه، تعمل لوحة تبديل السرعة التسلسلية (+/-) الخاصة بـ TH8A بشكل كامل في ألعاب سباق الكمبيوتر التي تتوافق مع عجلة السباق.

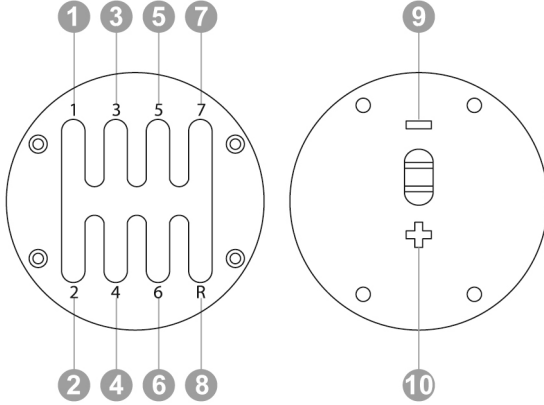
- تُمكنك بعض الألعاب من استخدام ناقل سرعة TH8A في وقت واحد:
ناقل سرعة TH8A باستخدام لوحة تبديل السرعة "تمط H (+7)", المتصلة بمنفذ USB الخاص بالكمبيوتر
+ ناقل سرعة TH8A لوحة تبديل السرعة التسلسلية (+/-)، المتصلة بالجانب الخلفي لعجلة السباق

* على جهاز الكمبيوتر، يكون ذراع تبديل السرعة *Thrustmaster* متوافقًا مع:
- كافة الألعاب التي تدعم USB متعدداً وأزرع تبديل السرعة.
- كافة عجلات القيادة المتوفرة في الأسواق.

* نوصي بتوصيل عجلة السباق وناقل السرعة TH8A مباشرةً بمنافذ USB 2.0 (وليس USB 3.0) في الكمبيوتر، دون استخدام لوحة وصل.

* في بعض ألعاب الكمبيوتر، يجب تثبيت آخر التحديثات المتوفرة للعبة كي يعمل ذراع تبديل السرعة Thrustmaster على النحو الصحيح.

* في بعض ألعاب الكمبيوتر (لتجنب حدوث تضارب بين عجلة القيادة وذراع تبديل السرعة)، قد يلزم القيام بما يلي:
- عدم تعيين أي شيء على ريش ذراع تبديل السرعة الخاصة بعجلة القيادة.
- تمكين وظيفة "Hold button for gear".



حزمة البرامج

- تتوفر "حزمة البرامج" على الموقع:

<http://support.thrustmaster.com>

انقر فوق Drivers < TH8A Shifter < Racing Wheels

- بعد تثبيت حزمة البرامج، ستتمكن من:

- * التحقق من إصدار البرنامج الثابت لذراع تبديل السرعة.
- * تحديث البرنامج الثابت (إذا لزم الأمر) بأحدث إصدار متوفر.
- * استخدام "طريقة" BOOTLOADER
- (لاستعادة ذراع تبديل السرعة، في حالة فقد البرنامج الثابت).
- * الوصول إلى لوحة تحكم مخصصة (وحدة التحكم بالألعاب) على الكمبيوتر.
- * استمتع بالوضع القياسي (فرامل اليد) على الكمبيوتر.

برامج المعايرة المتقدمة

تتم معايرة تبديل سرعة TH8A تلقائيًا.

يتوفر أيضًا تطبيق برنامج المعايرة المتقدمة هنا على الموقع: <http://support.thrustmaster.com>

انقر فوق Software < TH8A Shifter < Racing Wheels

ويتيح لك ضبط حركة تبديل السرعة كما يلائمك.

عند اكتمال الإعدادات، يتم حفظها على الفور في ذاكرة تبديل السرعة الداخلية (ويمكن استخدامها على PS3™ و PS4™ و Xbox One و الكمبيوتر).

إرشادات موجزة حول توصيل ناقل سرعة TH8A بالأنظمة المختلفة

	قم بتوصيل ناقل سرعة TH8A
PS3™	دائمًا(*) بـ (USB) PS3™ بشكل مباشر
PS4™	وفقًا للعبة وعجلة السباق (*): - مباشرةً بنظام PS4™ (USB) - أو في الجانب الخلفي لعجلة القيادة (DIN)
XBOX ONE	دائمًا في الجانب الخلفي لعجلة القيادة (DIN)
الكمبيوتر	دائمًا(*) بالكمبيوتر (USB) بشكل مباشر

(*) للحصول على مزيد من المعلومات حول أي استثناءات، يُرجى مراجعة مقاطع توصيات هامة الواردة في الصفحات ذات الصلة بالدليل.

تحذير

* تجنب مطلقًا توصيل ناقل السرعة TH8A مباشرةً بأي جهاز غير عجلة سباق Thrustmaster، حتى لو كان الجهاز يتضمن موصل DIN مطابق. قد يؤدي هذا إلى تلف ناقل سرعة TH8A أو الجهاز الآخر.

استكشاف الأخطاء وإصلاحها

- * ذراع تبديل السرعة الخاص بي لا يعمل بشكل صحيح، أو يبدو أنه قد تمت معايرته على نحو خاطئ:
- قم بإيقاف تشغيل الكمبيوتر أو الوحدة الرئيسية وافصل ذراع تبديل السرعة ثم أعد توصيله وأعد تشغيل اللعبة.
- في اللعبة، أسفل "خيارات/وحدة التحكم"، حدد التكوين الأكثر ملاءمة أو قم بإعداده.
- راجع دليل مستخدم اللعبة أو التعليمات المتوفرة على الإنترنت للحصول على مزيد من المعلومات.
- تتوفر مواضيع التعليمات والنصائح المختلفة (غير الواردة في هذا الدليل) وقائمة الألعاب المتوافقة، إنخ، على موقع الويب <http://support.thrustmaster.com>
انقر فوق Racing Wheels < TH8A Shifter.

- في Xbox One، لضمان توافق عجلة سباق Thrustmaster لـ Xbox One مع ناقل سرعة TH8A، قد يلزمك تحديث البرنامج الثابت لعجلة السباق بأحدث إصدار متوفر عبر الكمبيوتر الشخصي هنا على الموقع: <http://support.thrustmaster.com> (انقر فوق Racing Wheels < TH8A Shifter < Firmware).

* ذراع تبديل السرعة الخاص بي لا يعمل بشكل صحيح، أو يبدو أنه قد تمت معايرته على نحو خاطئ:

- قم بإيقاف تشغيل الكمبيوتر أو الوحدة الرئيسية وافصل ذراع تبديل السرعة ثم أعد توصيله وأعد تشغيل اللعبة.

- في اللعبة، أسفل "خيارات/وحدة التحكم"، حدد التكوين الأكثر ملاءمة أو قم بإعداده.

- راجع دليل مستخدم اللعبة أو التعليمات المتوفرة على الإنترنت للحصول على مزيد من المعلومات.

- تتوفر العديد من موضوعات التعليمات والتلميحات (غير المضمنة في هذا الدليل) على موقع ويب <http://support.thrustmaster.com>، أسفل **Technical Support** (الدعم الفني).

الدعم الفني

إذا واجهت مشكلة مع المنتج الخاص بك، فيرجى الانتقال إلى <http://support.thrustmaster.com> وتحديد اللغة. فمن هناك ستتمكن من الوصول إلى الأدوات المساعدة المتنوعة (الأسئلة الشائعة، أحدث إصدارات برامج التشغيل والبرامج) التي قد تساعدك في حل مشكلتك. إذا استمرت المشكلة، فيمكنك الاتصال بخدمة الدعم الفني لمنتجات Thrustmaster ("الدعم الفني"):

عن طريق البريد الإلكتروني:

الوصول إلى الدعم الفني الخاص بنا عبر البريد الإلكتروني، يجب أن تقوم أولاً بالتسجيل عبر الإنترنت على موقع ويب <http://support.thrustmaster.com>. حيث ستساعد المعلومات التي ستقدمها الفنيين في حل مشكلتك في أسرع وقت ممكن.

انقر فوق **Product Registration** (تسجيل المنتج) واتبع التعليمات المعروضة على الشاشة. إذا قمت بتسجيل المنتج بالفعل، فيرجى إدخال معلومات المستخدم في الحقول **Username** (اسم المستخدم) و **Password** (كلمة المرور) ثم انقر فوق **Login** (تسجيل الدخول).

معلومات ضمان المستهلك

تضمن شركة Guillemot Corporation S.A، العالمية (المشار إليها فيما بعد باسم "Guillemot") ومقرها الرئيسي في Place du Granier, B.P. 97143, 35571 Chantepie, France، للمستهلك أن يكون منتج Thrustmaster هذا خاليًا من عيوب المواد وعيوب التصنيع، طوال مدة فترة الضمان التي تتوافق مع الفترة المحددة التي يمكن خلالها المطالبة بالمطابقة لاسترداد قيمة هذا المنتج أو استبداله. في دول الاتحاد الأوروبي، يسري هذا لمدة (2) عامين من تاريخ استلام المنتج Thrustmaster. وفي دول أخرى، تتوافق فترة الضمان مع الفترة المحددة للمطالبة بمطابقة المنتج Thrustmaster وفقًا للقوانين المعمول بها في الدولة التي كان يقطن بها المستهلك عند تاريخ شراء المنتج Thrustmaster (في حالة عدم المطالبة في الدولة المعنية، ستكون فترة الضمان عام (1) واحد من تاريخ الشراء الأصلي للمنتج Thrustmaster). وإذا ظهر أن المنتج معيّنًا خلال فترة الضمان، فاتصل على الفور بالدعم الفني الذي سيرشدك إلى الإجراءات التي يجب أن تتبناها. وإذا تم التأكد من وجود العيب، فيجب إعادة المنتج إلى مكان شرائه (أو أي موقع آخر يشير إليه الدعم الفني).

وفي سياق هذا الضمان، يجب استبدال المنتج المعيب الخاص بالمستهلك أو إصلاحه، وذلك حسب اختيار الدعم الفني. إذا خضع منتج Thrustmaster، في خلال فترة الضمان، لأي عملية إصلاح، فإن أي فترة يكون المنتج خلالها خارج الخدمة ويحد أدنى سبعة (7) أيام سوف تضاف إلى فترة الضمان المتبقية (تبدأ هذه الفترة من تاريخ طلب العميل للتدخل أو من تاريخ تقديم المنتج المذكور للإصلاح، إذا كان تاريخ تقديم المنتج للإصلاح لاحقًا لتاريخ طلب التدخل). تقتصر المسؤولية الكاملة لشركة Guillemot وفروعها (بما في ذلك الأضرار التبعية) على إصلاح المنتج Thrustmaster أو استبداله، وذلك عندما يكون هذا جائزًا بموجب القانون الساري. تخلي شركة Guillemot مسؤوليتها عن أي ضمانات خاصة بالتجارة أو الملاءمة لغرض معين، وذلك عندما يكون هذا جائزًا بموجب القانون الساري.

لا يسري هذا الضمان: (1) إذا تم تعديل المنتج أو فتحه أو تغييره أو إذا تعرض للتلف نتيجةً للاستخدام السيئ أو غير الملائم أو الإهمال أو حادث أو الإهلاك نتيجة الاستعمال العادي، أو أي سبب آخر لا يرتبط بوجود

عيب في المواد أو التصنيع (بما في ذلك، على سبيل المثال لا الحصر، تجميع منتج Thrustmaster بواسطة أي عنصر غير مناسب، بما في ذلك على وجه الخصوص وحدات الإمداد بالطاقة أو البطاريات القابلة لإعادة الشحن أو الشواحن أو أي عناصر أخرى لا يتم توريدها من خلال Guillemot لهذا المنتج)؛ (2) إذا استخدم المنتج لأي غرض آخر بخلاف الاستخدام المنزلي، بما في ذلك الأغراض المهنية أو التجارية (غرف الألعاب أو التدريب أو المسابقات على سبيل المثال)؛ (3) في حالة عدم الالتزام بالتعليمات المقدمة من قبل الدعم الفني؛ (4) على البرامج، حيث تخضع هذه البرامج لضمان محدد؛ (5) على العناصر الاستهلاكية (العناصر التي يتم استهلاكها خلال فترة عمر المنتج: كالبطاريات غير القابلة لإعادة الاستخدام أو سماعات الرأس أو وسادات الأذن الخاصة بسماعة الرأس)؛ (6) الملحقات (كالكبلات والعلب والحافظات والحقائب وأربطة المعصم)؛ (7) إذا تم بيع المنتج في مزاد علني.

هذا الضمان غير قابل للتحويل.

لا يؤثر هذا الضمان على الحقوق القانونية للمستهلك بمقتضى القوانين المطبقة على بيع السلع الاستهلاكية في بلده/بلدها.

شروط الضمان الأخرى

خلال فترة الضمان، لن توفر Guillemot، من حيث المبدأ، أي قطع غيار، حيث أن الدعم الفني هو الطرف الوحيد المخول بفتح و/أو إصلاح أي منتج من Thrustmaster (باستثناء أي إجراءات إصلاح يطلب الدعم الفني إجراؤها بواسطة العميل، عن طريق تعليمات مكتوبة – على سبيل المثال، نظرًا لبساطة عملة الإصلاح وعدم سربيتها – وتزويد العميل بقطعة (قطع) الغيار المطلوبة، حيثما أمكن ذلك.

لمقتضى المجالات الإبداعية ولحماية أسرار المعرفة الفنية والأسرار التجارية، لن توفر Guillemot، من حيث المبدأ، أي إشعارات للإصلاح أو قطع غيار لأي منتج Thrustmaster انتهت فترة الضمان الخاصة به.

المسؤولية

تخلي شركة Guillemot Corporation S.A. (المشار إليها فيما بعد باسم "Guillemot") وفروعها ومسؤوليتها كاملة عن أي أضرار تنتج عن حالة أو أكثر من الحالات التالية، إذا كان هذا جائزًا بموجب القانون الساري: (1) تعديل المنتج أو فتحه أو تغييره؛ (2) عدم الالتزام بتعليمات المجموعة؛ (3) الاستخدام السيئ أو غير الملائم أو الإهمال أو التعرض لحادث (تصادم، على سبيل المثال)؛ (4) الإهلاك الناتج عن الاستعمال العادي؛ (5) إذا استخدم المنتج لأي غرض آخر بخلاف الاستخدام المنزلي، بما في ذلك الأغراض المهنية أو التجارية (غرف الألعاب أو التدريب أو المسابقات على سبيل المثال). تخلي شركة Guillemot وفروعها كافة مسؤوليتها عن أي أضرار لا ترتبط ببيع في المواد أو التصنيع يتعلّق بالمنتج (متضمنًا، على سبيل المثال لا الحصر، أي أضرار تحدث بشكل مباشر أو غير مباشر بسبب أي برنامج أو عن طريق دمج منتج Thrustmaster مع أي عنصر غير مناسب، بما في ذلك على وجه الخصوص وحدات الإمداد بالطاقة أو البطاريات القابلة لإعادة الشحن أو الشواحن أو أي عناصر أخرى لا يتم توريدها من خلال Guillemot لهذا المنتج)، إذا كان هذا جائزًا بموجب القانون الساري.

حقوق النشر

© 2017 Guillemot Corporation S.A. - كافة الحقوق محفوظة. العلامة Thrustmaster® هي علامة تجارية مسجلة لشركة Guillemot Corporation S.A. كافة العلامات التجارية الأخرى مملوكة لأصحابها المعنيين. الرسوم التوضيحية غير ملزمة. وتخضع المحتويات والتصميمات والمواصفات للتغيير دون إشعار وقد تختلف من بلد إلى آخر. صنع في الصين.

توصيات الحماية البيئية

في الاتحاد الأوروبي: عند انتهاء صلاحية المنتج، يجب عدم التخلص منه مع النفايات المنزلية العادية، لكن يوضع في نقطة تجميع خاصة بالتخلص من نفايات المعدات الكهربائية والإلكترونية (WEEE).



ويؤكد ذلك الرمز الموجود على المنتج أو دليل المستخدم أو الغلاف. يمكن إعادة تدوير المواد، على حسب خصائصها. من خلال إعادة التدوير والأشكال الأخرى لمعالجة نفايات المعدات الكهربائية والإلكترونية، يمكنك المشاركة بفعالية في المساعدة على حماية البيئة.

يرجى الاتصال بالسلطات المحلية لديك للحصول على معلومات حول نقطة التجميع الأقرب إليك. بالنسبة لكافة البلدان الأخرى: يرجى الالتزام بقوانين إعادة التدوير المحلية الخاصة بالمعدات الكهربائية والإلكترونية.

احتفظ بهذه المعلومات. قد تختلف الألوان والزخارف. يجب إزالة المواد المثبتة واللاصقة من المنتج قبل استخدامه.

www.thrustmaster.com

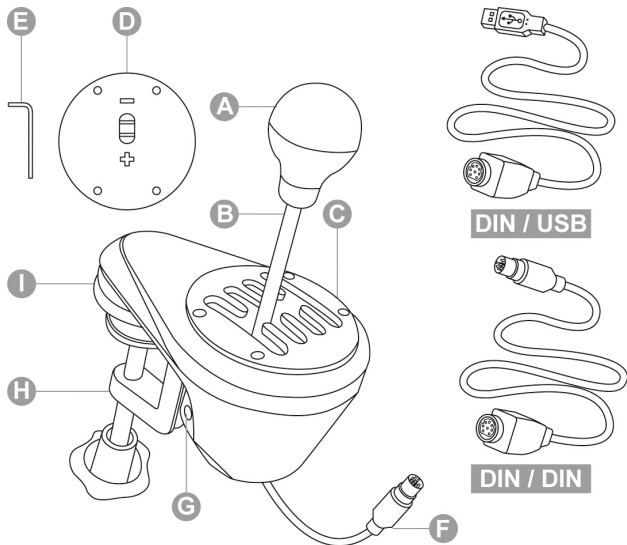
*ينطبق على الاتحاد الأوروبي وتركيا فقط

CE*



PlayStation®3 – PlayStation®4 – Xbox One® – PC

用户手册



技术特性

- A 可拆卸齿轮换挡旋钮
(默认不安装)
- B 操纵杆
- C 可调节“H 模式 (7+1)”变速盘
(默认安装)
- D 可调节“序列式 (+/-)”变速盘
(默认不安装)
- E 2.5 mm 内六角扳手 (随附)

- F 电缆和 DIN 连接器
- G 内部张紧螺丝
- H 可调节夹紧系统
- I 用于固定驾驶座的“螺纹”

- DIN / USB 可分离式 DIN / USB 电缆
- DIN / DIN 可分离式 DIN / DIN 电缆

警告

使用本产品前，请务必仔细阅读本手册。请妥善保留本手册，以供日后参考。



警告 - 触电

- * 请将本产品置于干燥的地方，切勿将其暴露在灰尘或阳光中。
- * 按照插入方向插入连接器。
- * 切勿扭曲或拉扯连接器和电缆。
- * 切勿让液体溅到本产品或其连接器上。
- * 切勿造成本产品短路。
- * 切勿拆解本产品（本手册所述的可能调节除外），切勿燃烧本产品，亦勿将其暴露在高温环境中。



警告 - 因重复运动造成的伤害

长时间操作变速器可能导致肌肉和关节疼痛。为避免这些问题：

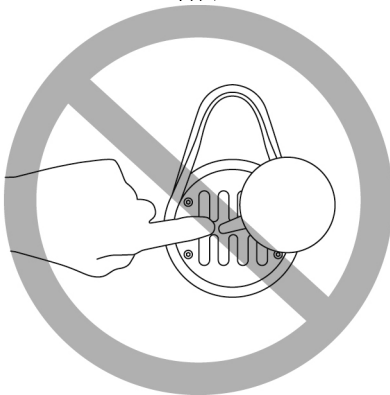
- * 避免长时间玩游戏。
- * 每玩一小时后休息 10 到 15 分钟。
- * 如果手、手腕或手臂有疲劳或疼痛的感觉，应停止玩游戏，休息几个小时后在玩。
- * 如果再玩时仍然存在上述症状或疼痛感，应立即停止玩游戏并咨询医生。
- * 确保按照本手册中提供的操作说明，正确安装变速器的底座。



警告 - 打开变速盘时可能会有夹伤风险

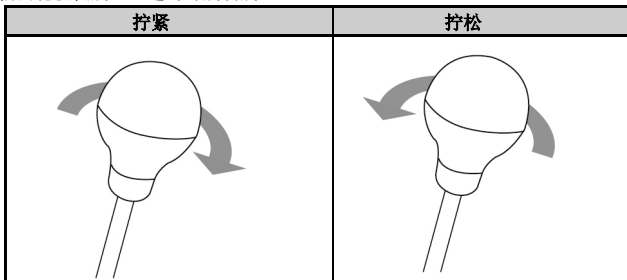
- * 切勿让小孩接触变速盘。
- * 玩游戏时，切勿将手指（或身体的其他部分）置于变速盘的开口处。

切勿



安装齿轮换挡旋钮

1. 要将齿轮换挡旋钮 (A) 拧到操纵杆上，请顺时针旋转齿轮换挡旋钮。
2. 拧松齿轮换挡旋钮：逆时针旋转旋钮。



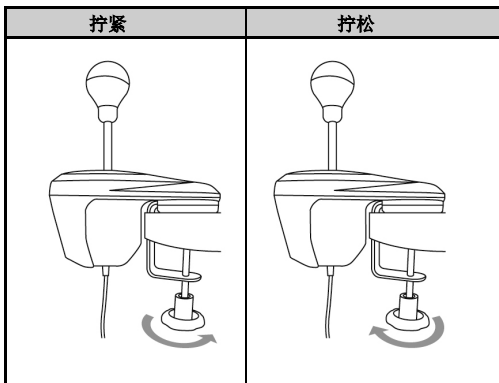
安装变速器

此变速器经过优化设计，支持安装在任何类型的支撑物上：

- 通过夹紧系统，支持厚度为 1 mm 到 55 mm 的**桌台、书桌或支架**
- 通过内置的“螺纹”（夹紧系统可拆卸）支持**驾驶座**。

将变速器安装在桌台或书桌上

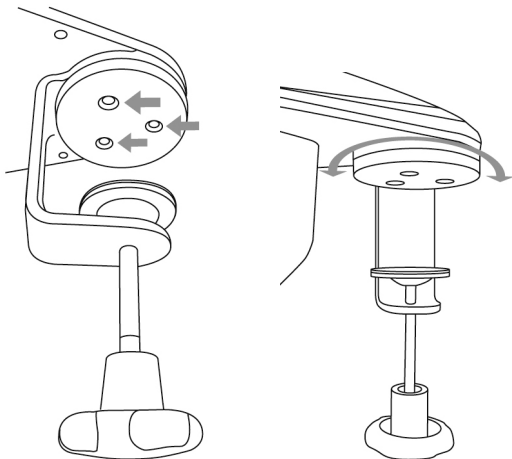
1. 将变速器的“鼻梁”置于桌台或其他平坦的表面上。
2. 拧紧：逆时针旋转夹紧轮。
3. 拧松：顺时针旋转夹紧轮。



安放并旋转夹紧系统（可调节 360°）

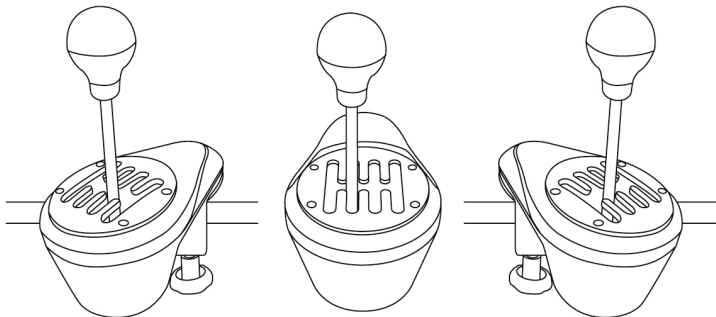
1. 利用随附的 2.5 毫米内六角扳手 (E)，稍稍拧松用于紧固夹紧系统 (H) 的 3 个螺丝。

现在，可将夹紧系统（以及整个变速器）手动旋转 360°。



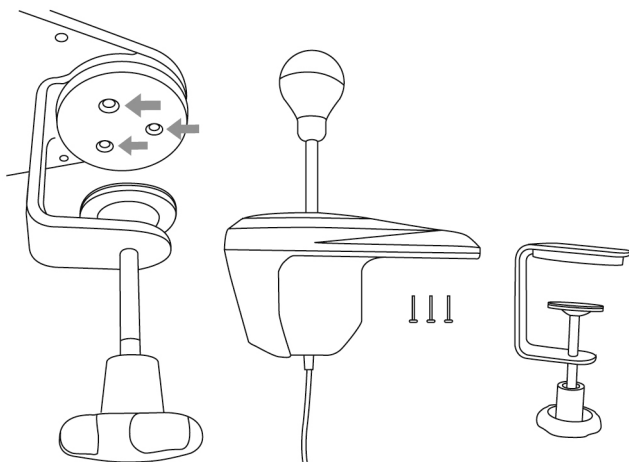
2. 沿着 360° 的旋转角度选择您的首选位置（下面显示了 3 个示例，还可以选择其他许多位置）。

接下来，重新拧紧用于紧固夹紧系统的 3 个螺丝。

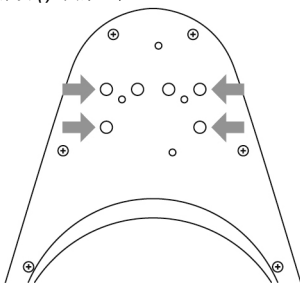


将变速器安装在驾驶座中

1. 利用随附的 2.5 毫米内六角扳手 (E)，完全拧松并卸下用于紧固夹紧系统 (H) 的 3 个螺丝。从变速器上拆卸夹紧系统



2. 卸下夹紧系统后，将 2 颗 M6 螺丝（未随附）拧入驾驶座的支撑板上，并拧入变速器“鼻梁”下部 4 个小“螺纹”(I) 中的 2 个。



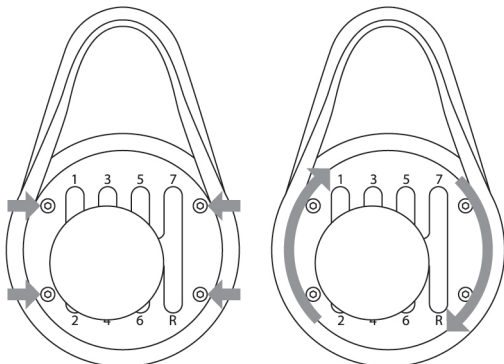
切勿使用“M6”螺丝，M6 螺丝太长，可能会穿透并损坏变速器鼻梁的上部。

在 <http://support.thrustmaster.com>（位于方向盘/TH8A 变速器/手册部分）上可下载用于驾驶座安装的变速器安装模板。

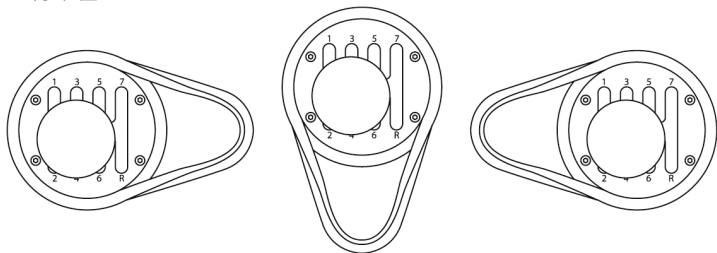
安放并旋转变速盘（可调节 360°）

1. 利用随附的 2.5 毫米内六角扳手 (E)，稍稍拧松用于紧固变速盘 (C 或 D) 的 4 个螺丝。

现在，可将变速盘手动旋转 360°。



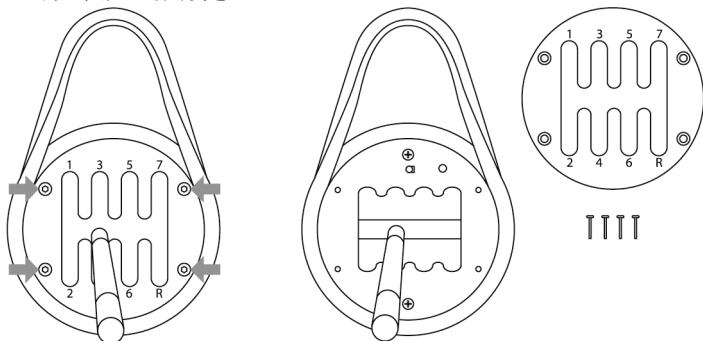
2. 沿着 360° 的旋转角度选择您的首选位置（下面显示了 3 个示例，还可以选择其他许多位置）。



3. 重新拧紧用于紧固变速盘的 4 个螺丝。

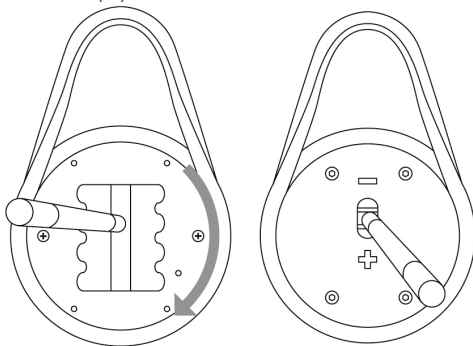
从“H 模式 (7+1)”变速盘切换为 “序列式 (+/-)”变速盘

1. 拧松（逆时针旋转）并卸下齿轮换挡旋钮 (A)。
2. 利用随附的 2.5 毫米内六角扳手 (E)，完全拧松并卸下用于紧固“H 模式 (7+1)”变速盘的 4 个螺丝。拆卸变速盘。

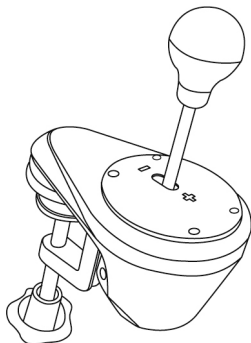


执行上述操作过程中，务必小心，切勿让任何螺丝意外掉入内部机械中。

3. 将内部机构手动向右（顺时针）旋转 90°。
接下来，安装“序列式 (+/-)”变速盘。

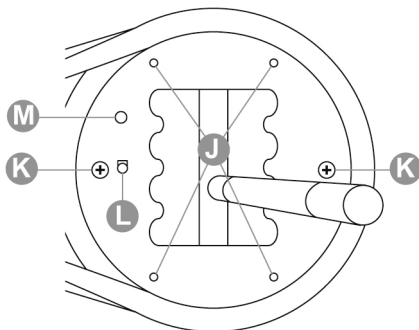


4. 利用随附的 2.5 毫米内六角扳手 (E)，重新装回并完全拧紧用于紧固“序列式 (+/-)”变速盘的 4 个螺丝。旋回（顺时针旋转）齿轮换挡旋钮。



反向执行此步骤可装回“H 模式 (7+1)”变速盘。

关于内部机构顶盖的注释：



J: 用于连接变速盘的 4 个“螺纹” (C 或 D)。

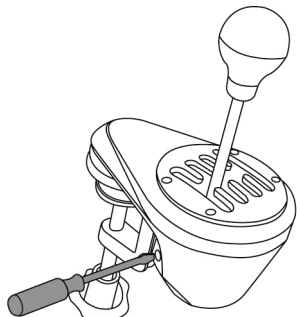
K: 用于紧固内部机构的 2 个螺丝（未拧上）。

L: 自动检测所用变速盘类型的按钮 (C 或 D)。安装“序列式 (+/-)”变速盘时会自动按下。此区域应保持洁净，以免出现任何检测问题。

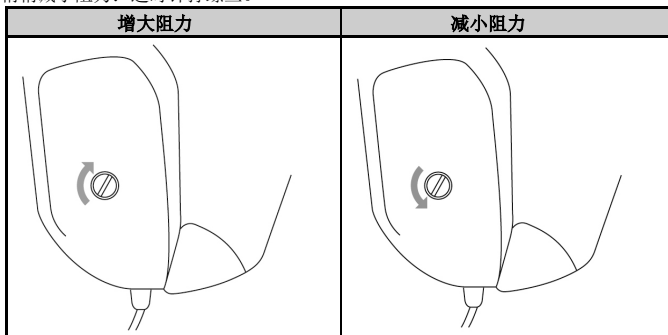
M: 留有空隙，以方便安放变速盘。

调节齿轮换挡阻力

- * 仅适用于“H 模式 (7+1)”变速盘。
- * 进行任何调节之前，必须先将“H 模式 (7+1)”变速盘安装到其原始位置（请参见下图）。



1. 使用一把大平头螺丝刀，将螺丝刀置于变速器外壳左下侧内部张紧螺丝（G）的平头上。
2. 稍稍增大阻力：顺时针拧螺丝。
3. 稍稍减小阻力：逆时针拧螺丝。



拧 2 满圈足以从阻力的一个极端调节至另一个极端。



为避免损坏系统，请：

- 在感觉阻力很大时，停止拧紧螺丝。
- 在感觉操纵杆变松晃动时，停止拧松螺丝。

适用于游戏主机的设置说明

PLAYSTATION®3

= 对于所有 PS3™ 游戏，始终将 TH8A 变速器直接连接到 PS3™ 的某个 USB 端口上（而不是连接到 Thrustmaster（图马思特）方向盘的底座）。

- 将 TH8A 变速器的 DIN 连接器连接到 DIN / USB 电缆。

- 将 TH8A 变速器连接到 PS3™ 的某个 USB 端口上。

- 开始游戏。

随后，即可使用 H 模式 (7+1) 或序列式 (+/-) 变速盘操作 TH8A 变速器。

(*) 针对 PS3™ 系统的重要建议（仅适用于使用内置变速器连接器的 Thrustmaster（图马思特）方向盘的情形）

- 使用 TH8A 变速器的序列式 (+/-) 变速盘时，您也可以使用可分离式 DIN/DIN 电缆将变速器连接到方向盘背部。随后，将 TH8A 变速器连接到方向盘的上 (= R1) 换挡拨片和下 (= L1) 换挡拨片。

使用此方向盘时，TH8A 变速器的序列式 (+/-) 变速盘支持所有兼容该方向盘的 PS3™ 竞速游戏。

- 有些游戏支持同时使用两个 TH8A 变速器：

一个带有一个 H 模式 (7+1) 变速盘的 TH8A 变速器，连接到 PS3™ 的 USB 端口上

+ 一个带有序列式 (+/-) 变速盘的 TH8A 变速器，连接到方向盘上

* 兼容 TH8A 变速器的 PS3™ 游戏列表可在此处找到：

<http://support.thrustmaster.com>（位于方向盘/TH8A 变速器/游戏设置部分）。

此列表将定期更新。

* 在 PS3™ 系统上，我们建议您在将方向盘或 TH8A 变速器连接到游戏主机时不要使用 USB 集线器，而应直接将此设备连接到 PS3™ 的 USB 端口上。

* 某些游戏要求您安装针对 TH8A 变速器的最新可用更新，才能正常工作（您的游戏主机必须连接到互联网）。

根据您所玩的 PS4™ 游戏或所使用的方向盘：

= 将 TH8A 变速器直接连接 (*) 到 PS4™ 的 USB 端口

- 将 TH8A 变速器的 DIN 连接器连接到 DIN / USB 电缆。
- 将 TH8A 变速器连接到 PS4™ 的某个 USB 端口上。
- 开始游戏。

随后，即可使用 H 模式 (7+1) 或序列式 (+/-) 变速盘操作 TH8A 变速器。

或者

= 将 TH8A 变速器直接连接 (*) 到 Thrustmaster (图马思特) 方向盘的底座上

(仅适用于您的 Thrustmaster (图马思特) 方向盘配备内置变速器连接器的情形)

- 将 TH8A 变速器的 DIN 连接器连接到 DIN / DIN 可分离式电缆。
- 将 TH8A 变速器连接到方向盘底座背部的变速器连接器。
- 连接方向盘，即可开始玩游戏。

随后，即可使用 H 模式 (7+1) 或序列式 (+/-) 变速盘操作 TH8A 变速器。

(*) 针对 PS4™ 系统的重要建议 (仅适用于使用内置变速器连接器的 Thrustmaster (图马思特) 方向盘的情形)

- 使用 TH8A 变速器的序列式 (+/-) 变速盘时，您也可以使用可分离式 DIN/DIN 电缆将变速器连接到方向盘背部。随后，将 TH8A 变速器连接到方向盘的上 (= R1) 换挡拨片和下 (= L1) 换挡拨片。

使用此方向盘时，TH8A 变速器的序列式 (+/-) 变速盘支持所有兼容该方向盘的 PS4™ 竞速游戏。

- 有些游戏支持同时使用两个 TH8A 变速器：

- 一个带有一个 H 模式 (7+1) 变速盘的 TH8A 变速器，连接到 PS4™ 的 USB 端口上
- + 一个带有序列式 (+/-) 变速盘的 TH8A 变速器，连接到方向盘上

* 兼容 TH8A 变速器的 PS4™ 游戏列表以及相关的连接说明(*) (不同的游戏，连接方法也不同) 可在此处找到：

<http://support.thrustmaster.com> (位于方向盘/TH8A 变速器/游戏设置部分)。

此列表将定期更新。

* 在 PS4™ 系统上，我们建议您在连接方向盘或 TH8A 变速器时不要使用 USB 集线器，而应直接将此设备连接到 PS4™ 的 USB 端口上。

* 某些游戏要求您安装针对 TH8A 变速器的最新可用更新，才能正常工作 (您的游戏主机必须连接到互联网)。

XBOX ONE

= 对于所有 Xbox One 游戏，始终将 TH8A 变速器直接连接到 Thrustmaster（图马思特）方向盘的底座（切勿连接到游戏主机的 USB 端口上）。

- 将 TH8A 变速器的 DIN 连接器连接到 DIN / DIN 可分离式电缆。

- 将 TH8A 变速器连接到方向盘底座背部的变速器连接器。- 连接方向盘，即可开始玩游戏。

随后，即可使用 H 模式 (7+1) 或序列式 (+/-) 变速盘操作 TH8A 变速器。

针对 Xbox One 的重要注意事项：

使用 TH8A 变速器的序列式 (+/-) 变速盘时，变速器连接到方向盘的上 (= RB) 换挡拨片和下 (= LB) 换挡拨片。

使用 TH8A 变速器的序列式 (+/-) 变速盘时，TH8A 变速器支持所有兼容 Thrustmaster（图马思特）Xbox One 方向盘的 Xbox One 竞速游戏。

* 兼容 TH8A 变速器的 Xbox One 游戏列表可在此处找到：

<http://support.thrustmaster.com>（位于方向盘/TH8A 变速器/游戏设置部分）。此列表将定期更新。

* 某些游戏要求您安装针对 TH8A 变速器的最新可用更新，才能正常工作（您的游戏主机必须连接到互联网）。



为确保 Thrustmaster（图马思特）Xbox One 方向盘与 TH8A 变速器的兼容性，您可能需要通过 PC 访问以下网址，将该方向盘的固件更新至最新版本：
<http://support.thrustmaster.com>（位于方向盘/TX 方向盘/固件部分）。

适用于 PC 的设置说明

= 对于所有 PC 游戏，始终将 TH8A 变速器直接连接到 PC 的某个 USB 端口上。

- 将 TH8A 变速器的 DIN 连接器连接到 DIN / USB 电缆。
- 将 TH8A 变速器连接到 PC 的某个 USB 端口上。
- 连接到 PC 后，TH8A 变速器是一种即插即用设备，可被系统自动检测并安装。
- 随后，此设备将会以“T500 RS 变速器”的形式出现在 Windows® 控制面板中。
- 单击“属性”，测试并查看设备的功能。
- 开始游戏。

现在即可开始竞速了！

(*) 针对 PC 的重要建议（仅适用于使用内置变速器连接器的 Thrustmaster（图马思特）方向盘的情形）

- 使用 TH8A 变速器的序列式 (+/-) 变速盘时，您也可以使用可分离式 DIN/DIN 电缆将变速器连接到方向盘背部。随后，将 TH8A 变速器连接到方向盘的上 (= 2) 换挡拨片和下 (= 1) 换挡拨片。

使用此方向盘时，TH8A 变速器的序列式 (+/-) 变速盘支持所有兼容该方向盘的 PC 竞速游戏。

- 有些游戏支持**同时使用两个 TH8A 变速器**：

- 一个带有一个 H 模式 (7+1) 变速盘的 TH8A 变速器，连接到 PC 的 USB 端口上
- + 一个带有序列式 (+/-) 变速盘的 TH8A 变速器，连接到方向盘上

* 在 PC 上，Thrustmaster（图马思特）变速器兼容于：

- 所有支持多 USB 和变速器的游戏。
- 所有市售方向盘。

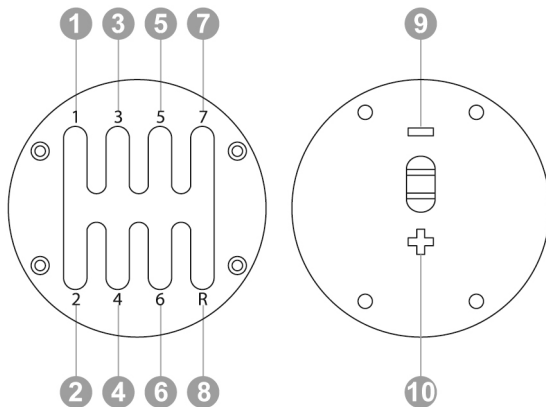
* 我们建议将方向盘和 TH8A 变速器直接连接到 PC 的 USB 2.0（而不是 USB 3.0）端口上，而不是通过集线器连接。

* 对于某些 PC 游戏，为使 TH8A 变速器正常工作，您**必须**安装最新的游戏更新。

* 对于某些 PC 游戏（为避免在方向盘和 TH8A 变速器之间出现任何冲突），可能有必要：

- 不将任何功能映射到方向盘的齿轮换挡拨片。
- 启用“按住按钮进行换挡”功能。

在 PC 上进行映射



软件包

此处可下载适用于 PC 的软件包：

<http://support.thrustmaster.com>（位于方向盘/TH8A 变速器/驱动程序部分）。

- 在安装此软件包之后，您将能够：

- * 检查 TH8A 变速器的固件版本。
- * 将固件更新为最新版本（如有必要）。
- * 使用“BOOTLOADER 方法”（以便在丢失固件时还原变速器）。
- * 在 PC 上访问自定义控制面板（游戏控制器）。
- * 在 PC 上，享受 ANALOG（模拟）模式（手刹）

高级校准软件

TH8A 可自动执行齿轮换挡校准。

亦可在此处下载适用于 PC 的高级校准软件：<http://support.thrustmaster.com>（位于方向盘 / TH8A 变速器/软件部分）。通过该软件，您可以调节齿轮换挡的行程，使之方便您的操作。

完成设置后，这些设置会被立即保存到齿轮换挡器的内存中（可用于 PS3™、PS4™、Xbox One 和 PC）。

关于将 TH8A 变速器连接到各种系统的总结说明

连接 TH8A 变速器	
PS3™	始终 (*) 连接到 PS3™ (USB)
PS4™	视游戏或方向盘而定 (*): - 直接连接到 PS4™ 系统 (USB) - 或者连接到方向盘的背部 (DIN)
XBOX ONE	始终连接到方向盘的背部 (DIN)
PC	始终 (*) 连接到 PC (USB)

(*) 有关各种例外情形的详细信息，请参考本手册相关页面中的**重要建议**部分。

警告

* 切勿将 TH8A 变速器直接连接到除 Thrustmaster（图马思特）方向盘以外的任何设备上，即使该设备带有完全相同的 DIN 连接器。否则，可能会损坏 TH8A 变速器或所连接的设备。

故障检修

- * 我的变速器运行不正常，或可能校准不当：
 - 关闭计算机或主机，断开与变速器的连接；然后重新连接变速器，并重启游戏。
 - 在游戏中，在“Options/Controller”（选项/控制器）下面，选择或设置最合适的配置。
 - 有关详细信息，请参阅游戏的用户手册或联机帮助。
- （此手册中未介绍的）各种帮助主题和提示以及兼容游戏列表等资源可在 <http://support.thrustmaster.com> 找到。
- 在 Xbox One 上，为确保 Thrustmaster（图马思特）Xbox One 方向盘与 TH8A 变速器的兼容性，您可能需要通过 PC 访问以下网址，将该方向盘的固件更新至最新版本：<http://support.thrustmaster.com>（位于方向盘 / TX 方向盘 / 固件部分）。

版权声明

© 2017 Guillemot Corporation S.A. 保留所有权利。Thrustmaster® 是 Guillemot Corporation S.A. (基利摩股份有限公司) 的注册商标。“PS”、“PlayStation”、“PS3”和“△×□”是 Sony Interactive Entertainment, Inc. 的注册商标, “PS4”是该公司的商标。Microsoft、Kinect、Windows、Windows Vista、Windows 徽标、Xbox、Xbox LIVE、Xbox 360、Xbox One 和 Xbox 徽标是 Microsoft 公司集团的商标或注册商标。特此确认, 所有其他商标和品牌名称均为其各自所有者的资产。插图不具约束力。内容、设计和规格可能因国家/地区而异, 并可能随时出现更改, 恕不另行通知。中国制造。

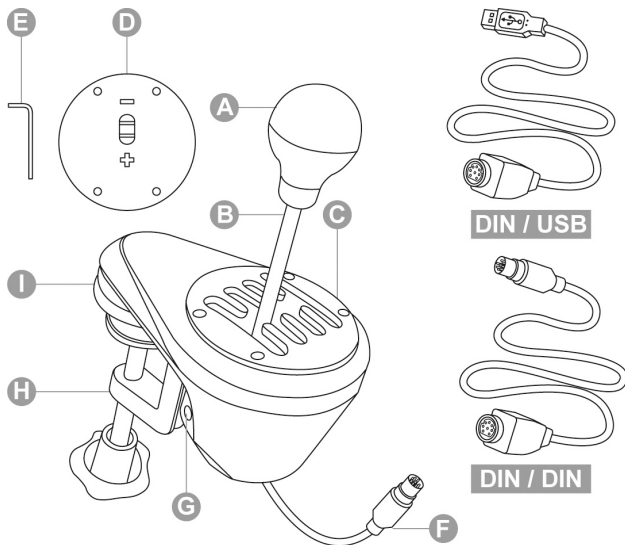


THORA

ADD-ON SHIFTER

PlayStation®3 – PlayStation®4 – Xbox One® – PC

User Manual



TECHNICAL FEATURES

- | | |
|---|---|
| A Removable gear shift knob
<i>(not installed by default)</i> | F Cable and DIN connector |
| B Stick | G Internal tensioning screw |
| C Adjustable "H-pattern (7+1)" shift plate
<i>(installed by default)</i> | H Adjustable clamping system |
| D Adjustable "Sequential (+/-)" shift plate
<i>(not installed by default)</i> | I "Screw threads" for cockpit mounting |
| E 2.5 mm Allen key (included) | DIN / USB Detachable DIN / USB cable |
| | DIN / DIN Detachable DIN / DIN cable |

WARNING

Before using this product, be sure to read through this manual carefully. Retain this manual for future reference.



Warning – Electric shock

- * Keep this product in a dry place, and do not expose it to dust or sunlight.
- * Respect the direction of insertion for connectors.
- * Do not twist or pull on the connectors and cables.
- * Do not spill liquid on the product or its connector.
- * Do not short-circuit the product.
- * Do not dismantle this product (apart from for the possible adjustments described in this manual), do not attempt to burn the product and do not expose the product to high temperatures.



Warning – Injuries due to repetitive movements

Playing with a shifter may result in muscle and joint pains. To avoid any problems:

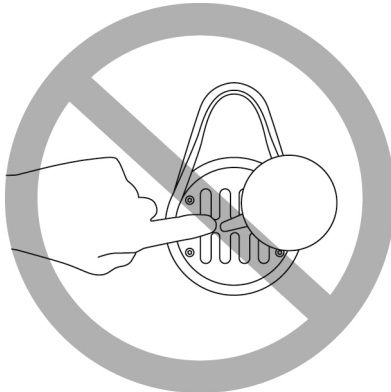
- * Avoid playing for extended periods of time.
- * Take a 10 to 15 minute break after each hour of playing.
- * Should you experience fatigue or pain in your hands, wrists or arms, stop playing and rest for a few hours before starting to play again.
- * If the symptoms or pains described above persist when you resume playing, stop playing and consult your doctor.
- * Verify that the base of the shifter is properly mounted, as described in the instructions found in this manual.



Warning – Pinching risk in shift plate openings

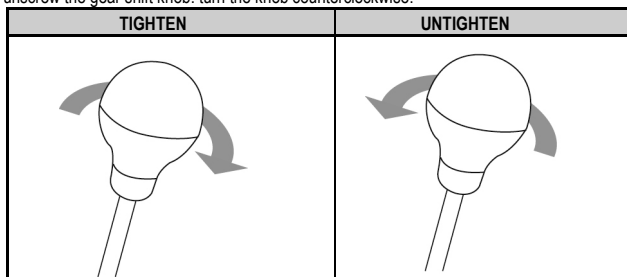
- * Keep out of the reach of children.
- * When playing a game, never place your fingers (or any other parts of your body) in the openings in the shift plates.

NEVER



INSTALLING THE GEAR SHIFT KNOB

1. To screw the gear shift knob (**A**) onto its stick (**B**): turn the gear shift knob clockwise.
2. To unscrew the gear shift knob: turn the knob counterclockwise.



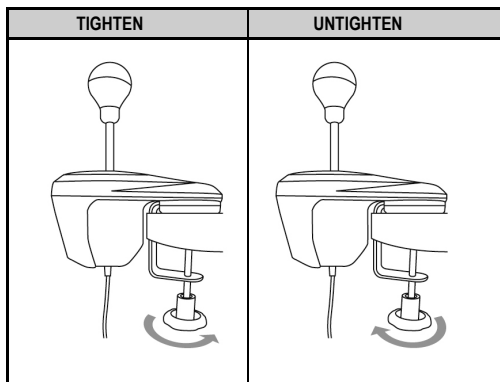
MOUNTING THE SHIFTER

Mounting is optimized for any type of support:

- **Tables, desks or shelves** from 1 to 55 mm in thickness, via the clamping system (**H**).
- **Cockpits**, via the built-in "screw threads" (the clamping system is removable).

Mounting the shifter on a table or desk

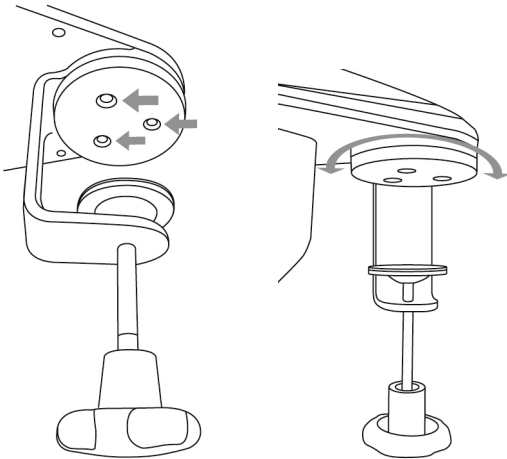
1. Place the nose of the shifter on a table or other flat surface.
2. To tighten: turn the clamping wheel counterclockwise.
3. To untighten: turn the clamping wheel clockwise.



Positioning and rotating the clamping system (can be adjusted by 360°)

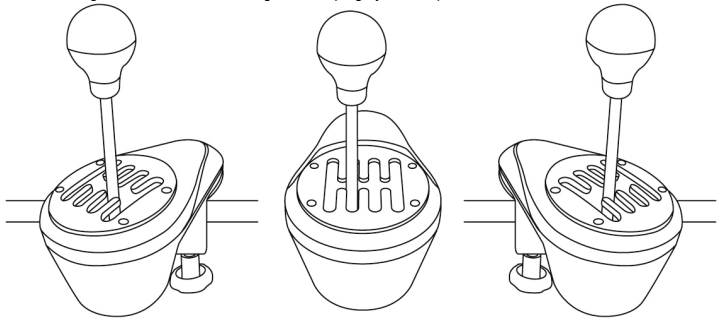
1. Using the included 2.5 mm Allen key (**E**), very slightly unscrew the 3 screws holding the clamping system (**H**) in place.

The clamping system (and therefore the entire shifter) can now be rotated manually by 360°.



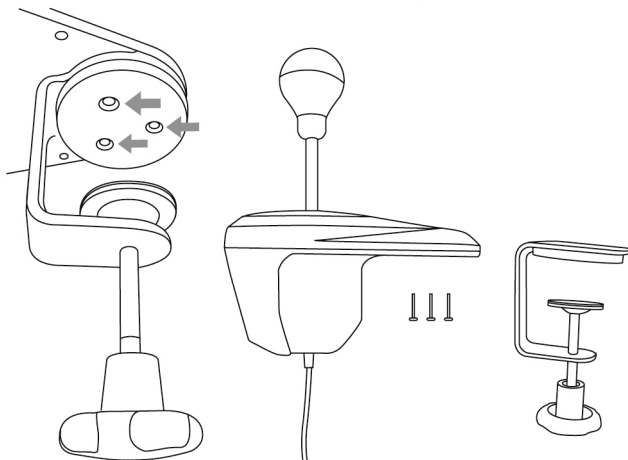
2. Select your preferred position along the 360° of rotation (3 examples are shown below, among the many other possibilities available).

Next, retighten the 3 screws holding the clamping system in place.

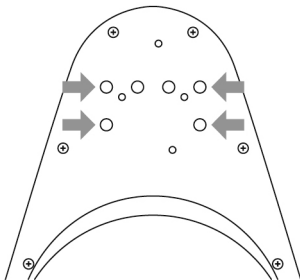


Mounting the shifter in a cockpit

- Using the included 2.5 mm Allen key (**E**), **completely unscrew and remove** the 3 screws holding the clamping system (**H**) in place. Detach the clamping system from the shifter.



- Once the clamping system has been removed, screw 2 "M6" screws (not included) into the cockpit shelf, and into 2 of the 4 small "screw threads" (**I**) located on the underside of the shifter's nose.

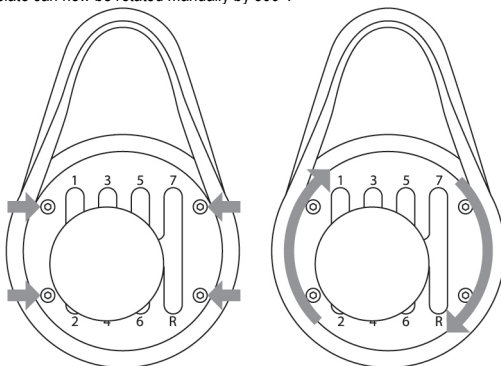


Be sure not to use "M6" screws that are too long, which may pierce and damage the upper part of the shifter's nose.

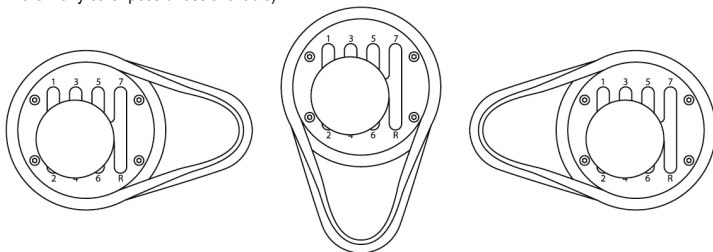
A shifter mounting template for cockpits is available at <http://support.thrustmaster.com> (in the Racing Wheels/TH8A Shifter/Manual section).

POSITIONING AND ROTATING THE SHIFT PLATES (CAN BE ADJUSTED BY 360°)

1. Using the included 2.5 mm Allen key (**E**), **slightly unscrew** the 4 screws holding the shift plate (**C or D**) in place.
The shift plate can now be rotated manually by 360°.



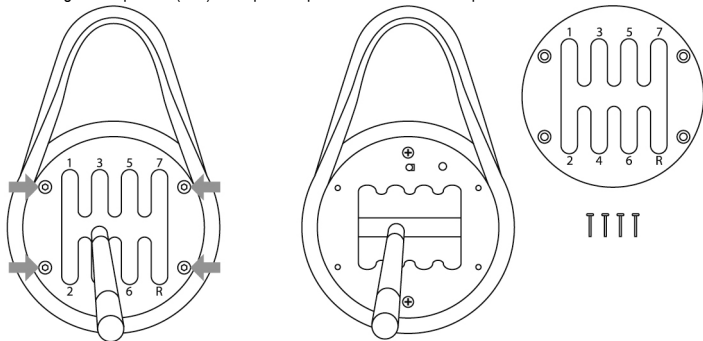
2. Select your preferred position along the 360° of rotation (3 examples are shown below, among the many other possibilities available).



3. Retighten the 4 screws holding the shift plate in place.

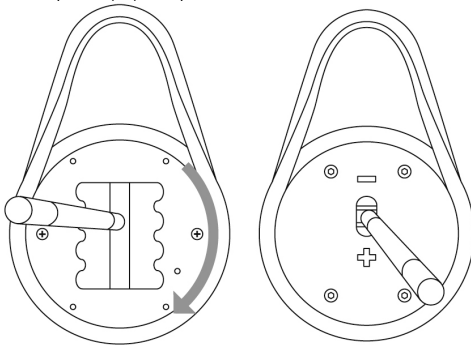
SWITCHING FROM THE “H-PATTERN (7+1)” SHIFT PLATE TO THE “SEQUENTIAL (+/-)” SHIFT PLATE

1. Unscrew (counterclockwise) and remove the gear shift knob (A).
2. Using the included 2.5 mm Allen key (E), completely unscrew and remove the 4 screws holding the “H-pattern (7+1)” shift plate in place. Remove the shift plate.

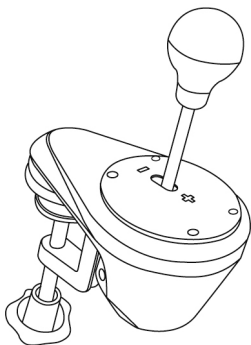


During this procedure, take care not to accidentally let any of the screws fall inside the internal mechanism.

3. Manually rotate the internal structure 90° to the right (clockwise).
Next, install the “Sequential (+/-)” shift plate.

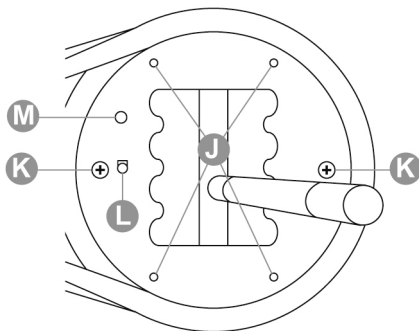


4. Using the included 2.5 mm Allen key (**E**), replace and completely retighten the 4 screws holding the "Sequential (+/-)" shift plate in place. Screw the gear shift knob back on (clockwise).



Carry out this procedure in reverse to replace the "H-pattern (7+1)" shift plate.

Notes regarding the internal structure's top cover:



J: 4 "screw threads" to attach the shift plates (**C or D**).

K: 2 screws which hold the internal structure in place (do not unscrew).

L: Button which automatically detects the type of shift plate used (**C or D**). Is pressed **automatically** when the "Sequential (+/-)" shift plate is installed. Keep this area clean in order to avoid any detection problems.

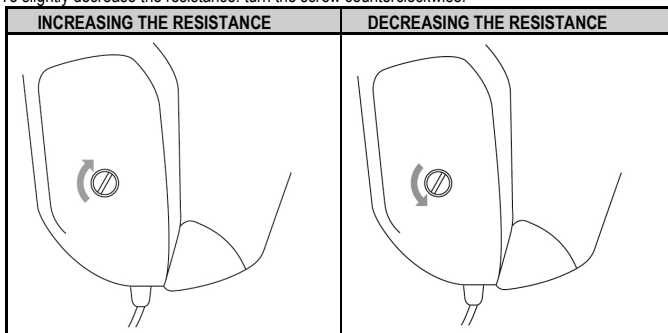
M: Slot for easier positioning of the shift plates.

ADJUSTING THE GEAR SHIFT RESISTANCE

- * Only applies to the “H-pattern (7+1)” shift plate.
- * Before making any adjustments, the “H-pattern (7+1)” shift plate **must** be installed in its original position (please see the diagram below).



1. Using a large flat head screwdriver, place the screwdriver in the head of the internal tensioning screw (**G**) located in the lower left section of the shifter's housing.
2. To slightly increase the resistance: turn the screw clockwise.
3. To slightly decrease the resistance: turn the screw counterclockwise.



2 full turns are enough to go from one extreme to the other.



To avoid damaging the system:

- Stop tightening the screw when you feel strong resistance.
- Stop untightening the screw if the stick becomes loose and wobbly.

SETUP INSTRUCTIONS FOR GAME CONSOLES

PLAYSTATION®3

= With all games for PS3™, always connect(*) the TH8A shifter directly to one of the PS3™'s USB ports (NOT to the Thrustmaster racing wheel's base).

- Connect the TH8A shifter's DIN connector to the DIN / USB cable.
- Connect the TH8A shifter to one of your PS3™'s USB ports.
- Start the game.

The TH8A shifter can then operate with either the H-PATTERN (7+1) or SEQUENTIAL (+/-) shift plates.

(*) Important recommendations for the PS3™ system (applicable only if using a Thrustmaster racing wheel featuring a built-in shifter connector)

- **When using the TH8A shifter's SEQUENTIAL (+/-) shift plate, you can also connect the shifter at the back of the racing wheel using the detachable DIN / DIN cable.** The TH8A shifter is then connected to the racing wheel's UP (= R1) and DOWN (= L1) paddle shifters. With this racing wheel, the TH8A shifter's SEQUENTIAL (+ /-) shift plate functions with 100% of racing games PS3™ that are compatible with the racing wheel.
- Some games enable you to **use two TH8A shifters simultaneously:**
 - One TH8A shifter with an H-PATTERN (7+1) shift plate, connected to the PS3™'s USB port™
 - + One TH8A shifter with a SEQUENTIAL (+/-) shift plate, connected to the back of the racing wheel

* A list of games for PS3™ that are compatible with the TH8A shifter is available here: <http://support.thrustmaster.com> (in the Racing Wheels / TH8A Shifter / Games settings section). This list is updated regularly.

* On PS3™ systems, we recommend that you do not use a USB hub when connecting the racing wheel or TH8A shifter to the games console; connect the device directly to the PS3™'s USB ports.

* Some games require that you install the latest available updates for the TH8A shifter to function correctly (your games console must be connected to the internet).

**According to the PS4™ game or the racing wheel that you are using:
= Connect(*) the TH8A shifter directly to the PS4™'s USB port**

- Connect the TH8A shifter's DIN connector to the DIN / USB cable.
- Connect the TH8A shifter to one of your PS4™'s USB ports.
- Start the game.

The TH8A shifter can then operate with either the H-PATTERN (7+1) or SEQUENTIAL (+/-) shift plates.

Or

= Connect(*) the TH8A shifter directly to the Thrustmaster racing wheel's base

(only applicable if your Thrustmaster racing wheel features a built-in shifter connector)

- Connect the TH8A shifter's DIN connector to the DIN / DIN detachable cable.
- Connect the TH8A shifter to the shifter connector located at the back of the racing wheel's base.
- Connect your racing wheel, then start the game.

The TH8A shifter can then operate with either the H-PATTERN (7+1) or SEQUENTIAL (+/-) shift plates.

(*) Important recommendations for the PS4™ system (applicable only if using a Thrustmaster racing wheel featuring a built-in shifter connector)

- When using the TH8A shifter's SEQUENTIAL (+/-) shift plate, you can also connect the shifter at the back of the racing wheel using the detachable DIN / DIN cable. The TH8A shifter is then connected to the racing wheel's UP (= R1) and DOWN (= L1) paddle shifters.

With this racing wheel, the TH8A shifter's SEQUENTIAL (+ /-) shift plate functions with 100% of racing games for PS4™ that are compatible with the racing wheel.

- Some games enable you to **use two TH8A shifters simultaneously**:

- One TH8A shifter with an H-PATTERN (7+1) shift plate, connected to the PS4's USB port™
- + One TH8A shifter with a SEQUENTIAL (+/-) shift plate, connected to the back of the racing wheel

* A list of games for PS4™ that are compatible with the TH8A shifter and the relevant connection instructions(*) (which vary according to games) are available here: <http://support.thrustmaster.com> (in the Racing Wheels / TH8A Shifter / Games settings section). This list is updated regularly.

* On PS4™ systems, we recommend that you do not use a USB hub when connecting the racing wheel or the TH8A shifter; connect the device directly to the PS4™'s USB ports.

* Some games require that you install the latest available updates for the TH8A shifter to function correctly (your games console must be connected to the internet).

XBOX ONE

= With all Xbox One games, always connect the TH8A shifter directly to the Thrustmaster racing wheel's base (NEVER to the game console's USB port).

- Connect the TH8A shifter's **DIN** connector to the **DIN / DIN detachable cable**.
- Connect the TH8A shifter to the shifter connector located at the back of the racing wheel's base. - Connect your racing wheel, then start the game.

The TH8A shifter can then operate with either the H-PATTERN (7+1) or SEQUENTIAL (+/-) shift plates.

Important note about the Xbox One:

When using the TH8A shifter's SEQUENTIAL (+/-) shift plate, the shifter is connected to the racing wheel's UP (= RB) and DOWN (= LB) paddle shifters.

When using the TH8A shifter's SEQUENTIAL (+/-) shift plate, the TH8A shifter functions with 100% of racing games for Xbox One that are compatible with the Thrustmaster racing wheel for Xbox One.

* A list of games for Xbox One that are compatible with the TH8A shifter is available here:

<http://support.thrustmaster.com> (in the Racing Wheels / TH8A Shifter / Games settings section). This list is updated regularly.

* Some games require that you install the latest available updates for the TH8A shifter to function correctly (your games console must be connected to the internet).



To ensure compatibility of your Thrustmaster racing wheel for Xbox One with the TH8A shifter, you may be required to update the racing wheel's firmware with the latest version available via PC here: <http://support.thrustmaster.com> (in the Racing Wheels / TX Racing Wheel / Firmware section).

SETUP INSTRUCTIONS FOR PC

= **With all PC games(*)**, always connect the TH8A shifter directly to one of the PC's USB ports.

- Connect the TH8A shifter's **DIN** connector to the **DIN / USB** cable.
- Connect the TH8A shifter to one of your PC's USB ports.
- When connected to a PC, the TH8A shifter is a Plug & Play device and is automatically detected and installed.
- The device then appears as 'T500 RS Gear Shift' in the Windows® Control Panel.
- Click Properties to test and view the device's features.
- Start the game.

You are now ready to race!

(*) **Important recommendations for PCs** (applicable only if using a Thrustmaster racing wheel featuring a built-in shifter connector)

- **When using the TH8A shifter's SEQUENTIAL (+/-) shift plate, you can also connect the shifter at the back of the racing wheel using the detachable DIN / DIN cable.** The TH8A shifter is then connected to the racing wheel's UP (= 2) and DOWN (= 1) paddle shifters.

With this racing wheel, the TH8A shifter's SEQUENTIAL (+ /-) shift plate functions with 100% of racing games for PC that are compatible with the racing wheel.

- Some games enable you to **use two TH8A shifters simultaneously**:

- One TH8A shifter with an H-PATTERN (7+1) shift plate, connected to the PC's USB port
- + One TH8A shifter with a SEQUENTIAL (+/-) shift plate, connected to the back of the racing wheel

* On PC, the Thrustmaster shifter is compatible with:

- all games supporting MULTI-USB and shifters.
- all wheels on the market.

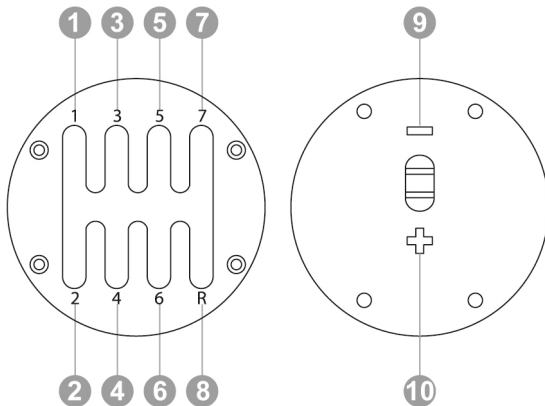
* We recommend connecting your racing wheel and TH8A shifter directly to your PC's USB 2.0 (not USB 3.0) ports, without using a hub.

* For some PC games, you **must** install the latest available game updates in order for the TH8A shifter to function properly.

* For some PC games (in order to avoid any conflicts between the wheel and the TH8A shifter), it may be necessary:

- not to map anything onto the wheel's gear shift paddles.
- to enable the "Hold button for gear" function.

MAPPING ON PC



SOFTWARE PACKAGE

A software package for PC is available here:

<http://support.thrustmaster.com> (in the Racing Wheels / TH8A Shifter / Drivers section).

- After installing the software package, you will be able to:

- * check your TH8A shifter's firmware version.
- * update the firmware (if necessary) with the latest available version.
- * use the "BOOTLOADER Method" (to restore your shifter, in the event of loss of firmware).
- * access a customized Control Panel (game controller) on PC.
- * on PC, enjoy the ANALOG mode (handbrake)

ADVANCED CALIBRATION SOFTWARE

The TH8A gear shift calibration is automatically carried out.

An advanced calibration software application for PC is also available here: <http://support.thrustmaster.com> (in the Racing Wheels / TH8A Shifter / Software section). It allows you to adjust the gear shift travel to your convenience.

When the settings are complete, they are instantly saved into the internal gear shift memory (and can be used on PS3™, PS4™, Xbox One and PC).

SUMMARY INSTRUCTIONS FOR CONNECTING THE TH8A SHIFTER TO VARIOUS SYSTEMS

Connect the TH8A shifter	
PS3™	Always(*) directly to the PS3™ (USB)
PS4™	<u>According to the game or racing wheel (*)</u> : - Either directly to the PS4™ system (USB) - Or at the back of the racing wheel (DIN)
XBOX ONE	Always at the back of the racing wheel (DIN)
PC	Always(*) directly to the PC (USB)

(*) For more information regarding any exceptions, please refer to the **Important recommendations** sections on the manual's relevant pages.

WARNING

* Never connect the TH8A shifter directly to any device other than a Thrustmaster racing wheel, even if the device features an identical DIN connector. This could cause damage to the TH8A shifter or the other device.

TROUBLESHOOTING

* My shifter is not functioning correctly, or seems to be improperly calibrated:

- Turn off your computer or console, disconnect your shifter, reconnect it and then restart your game.

- In your game, under "Options/Controller", select or set up the most appropriate configuration.

- Refer to your game's user manual or online help for more information.

- Various help topics and tips (not included in this manual), a list of compatible games, etc. are available on the <http://support.thrustmaster.com> website.

- On Xbox One, to ensure compatibility of your Thrustmaster racing wheel for Xbox One with the TH8A shifter, you may be required to update the racing wheel's firmware with the latest version available via PC here: <http://support.thrustmaster.com> (in the Racing Wheels / TX Racing Wheel / Firmware section).

COPYRIGHT

© 2017 Guillemot Corporation S.A. All rights reserved. Thrustmaster® is a registered trademark of Guillemot Corporation S.A. "PS", "PlayStation", "PS3" and "△×□" are registered trademarks of Sony Interactive Entertainment, Inc. "PS4" is a trademark of the same company. Microsoft, Kinect, Windows, Windows Vista, the Windows Logo, Xbox, Xbox LIVE, Xbox 360, Xbox One and the Xbox logos are trademarks or registered trademarks of the Microsoft group of companies. All other trademarks and brand names are hereby acknowledged and are the property of their respective owners. Illustrations not binding. Contents, designs and specifications are subject to change without notice and may vary from one country to another. Made in China.

